

REVISIONS

ECN #	REV	DESCRIPTION	DRAWN	DATE	CHECKD	DATE	APPRVD	DATE
-	1.0	RELEASED	AB	18/04/12	ER	18/04/12	ER	18/04/12



Features

- 32 AMP Cable 3G6.0 + 2 × 0.5mm ≤ Orange
- Custom Options on Cable Length and Colour

Specification

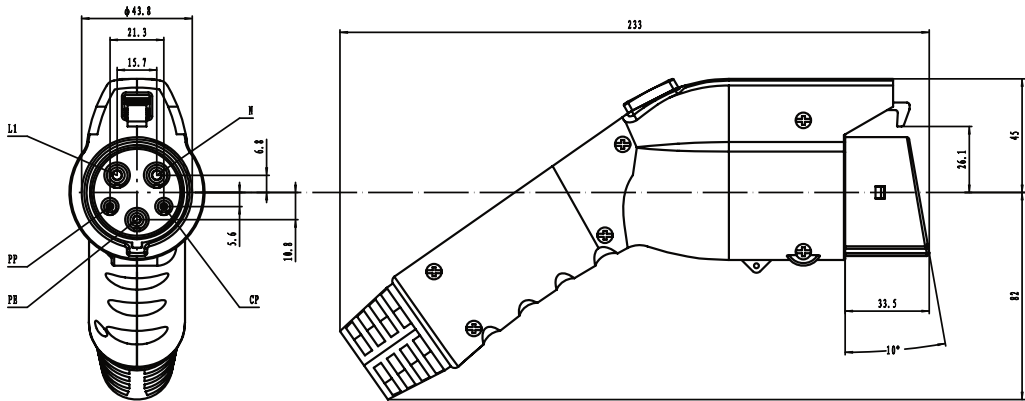
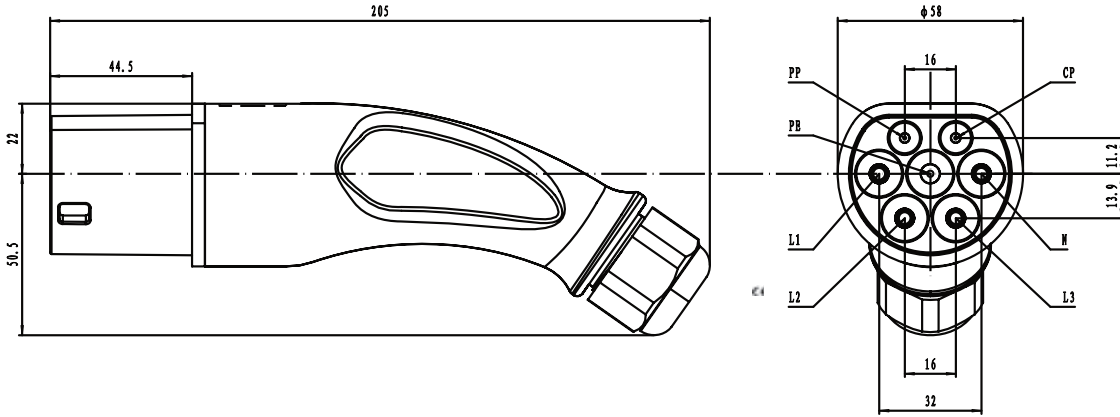
- Current and Voltage : 32A 240V AC
- Signal Current : 2A < 30V DV
- Protection Degree : IP44
- Charging Cable : 32A 1P + N + PE + PP + CP
- Charging Cable : 3,000mm / 5,000mm 3 x 6mm<sup>2</sup> + 2 - 0.5mm<sup>2</sup>

The plug was designed according to the standard of SAE J1772-2010  
 The static resistance is 150 ohm, and the resistance will increase to 480 ohm when pressing the button  
 The plug II, was designed according to the standard of 62196-2 IEC 2010 sheet 2-IIb  
 The static resistance is 220 ohm

Cable Specification

Function	32A 240V
L1 (1)	6mm <sup>2</sup>
N (2)	6mm <sup>2</sup>
PE (3)	6mm <sup>2</sup>
CP (4)	0.5mm <sup>2</sup>
PP (5)	-

www.element14.com  
 www.farnell.com  
 www.newark.com



Dimensions : Millimetres (Inches)

**Important Notice :** This data sheet and its contents (the "Information") belong to the members of the Premier Farnell group of companies (the "Group") or are licensed to it. No licence is granted for the use of it other than for information purposes in connection with the products to which it relates. No licence of any intellectual property rights is granted. The Information is subject to change without notice and replaces all data sheets previously supplied. The Information supplied is believed to be accurate but the Group assumes no responsibility for its accuracy or completeness, any error in or omission from it or for any use made of it. Users of this data sheet should check for themselves the Information and the suitability of the products for their purpose and not make any assumptions based on information included or omitted. Liability for loss or damage resulting from any reliance on the Information or use of it (including liability resulting from negligence or where the Group was aware of the possibility of such loss or damage arising) is excluded. This will not operate to limit or restrict the Group's liability for death or personal injury resulting from its negligence. Multicomp is the registered trademark of the Group. © Premier Farnell plc 2012.

TOLERANCES:  UNLESS OTHERWISE SPECIFIED, DIMENSIONS ARE FOR REFERENCE PURPOSES ONLY.	DRAWN BY:	DATE:
	AB	18/04/12
	CHECKED BY:	DATE:
	ER	18/04/12
	APPROVED BY:	DATE:
ER	18/04/12	

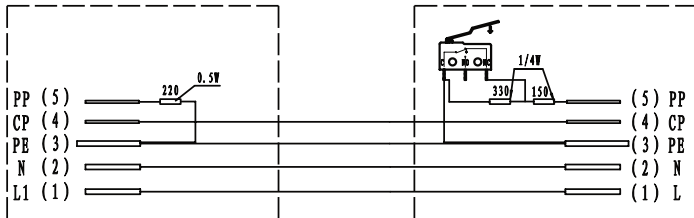
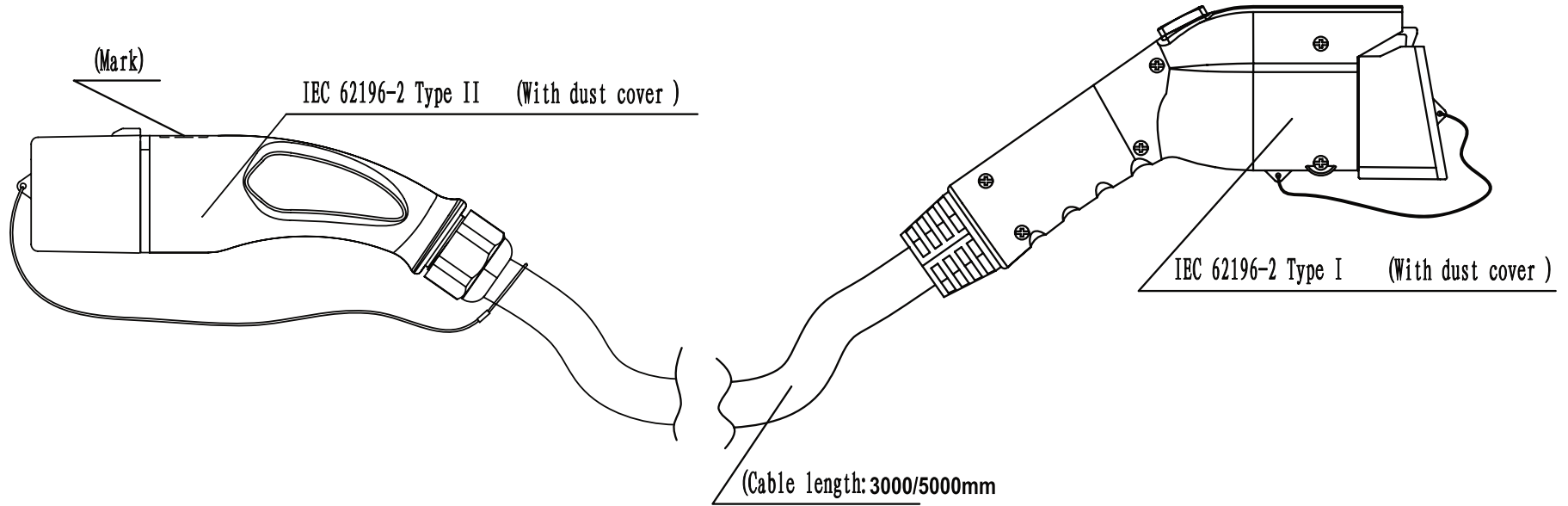
DRAWING TITLE:			
Plug 3M Cable			
SIZE	DWG NO.	ELECTRONIC FILE	REV
A4	DSI-DSIEC-EV-32P-3C-01	DSI-DSIEC-EV-32P-3C-1	1.0
SCALE: NTS		U.O.M.: mm (inch)	SHEET: 1 of 2



PART NO.  
DSI-DSIEC-EV-32P-3C

REVISIONS

ECN #	REV	DESCRIPTION	DRAWN	DATE	CHECKD	DATE	APPRVD	DATE
-	1.0	RELEASED	AB	18/04/12	ER	18/04/12	ER	18/04/12



Part Number Table

Description	Part Number
Cable, J1772 Plug - 62196-2 Plug, 3M	DSI-DSIEC-EV-32P-3C

www.element14.com  
www.farnell.com  
www.newark.com

**Important Notice :** This data sheet and its contents (the "Information") belong to the members of the Premier Farnell group of companies (the "Group") or are licensed to it. No licence is granted for the use of it other than for information purposes in connection with the products to which it relates. No licence of any intellectual property rights is granted. The Information is subject to change without notice and replaces all data sheets previously supplied. The Information supplied is believed to be accurate but the Group assumes no responsibility for its accuracy or completeness, any error in or omission from it or for any use made of it. Users of this data sheet should check for themselves the Information and the suitability of the products for their purpose and not make any assumptions based on information included or omitted. Liability for loss or damage resulting from any reliance on the Information or use of it (including liability resulting from negligence or where the Group was aware of the possibility of such loss or damage arising) is excluded. This will not operate to limit or restrict the Group's liability for death or personal injury resulting from its negligence. Multicomp is the registered trademark of the Group. © Premier Farnell plc 2012.

TOLERANCES:  UNLESS OTHERWISE SPECIFIED, DIMENSIONS ARE FOR REFERENCE PURPOSES ONLY.	DRAWN BY:	DATE:	DRAWING TITLE:  Plug 3M Cable			
	AB	18/04/12				
	CHECKED BY:	DATE:	SIZE	DWG NO.	ELECTRONIC FILE	REV
	ER	18/04/12	A4	DSI-DSIEC-EV-32P-3C-01	DSI-DSIEC-EV-32P-3C-1	1.0
	APPROVED BY:	DATE:	SCALE: NTS		U.O.M.: mm (inch)	SHEET: 2 of 2
	ER	18/04/12				