

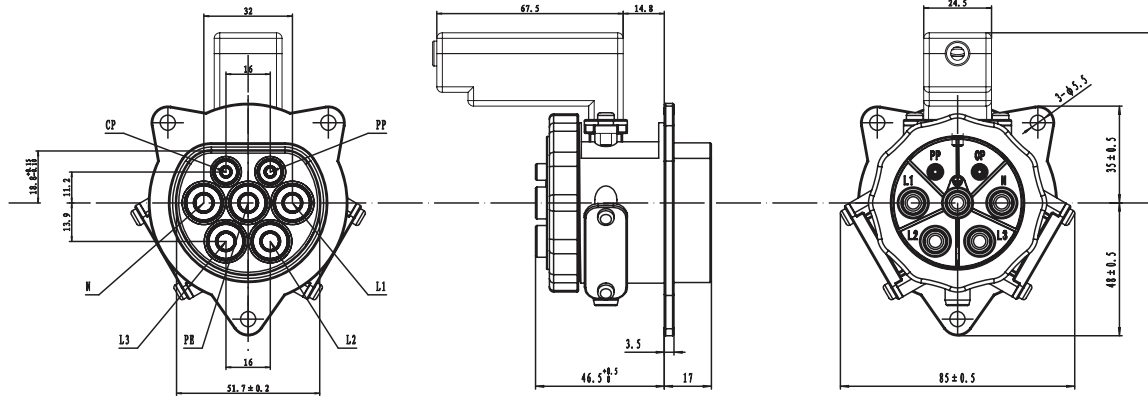
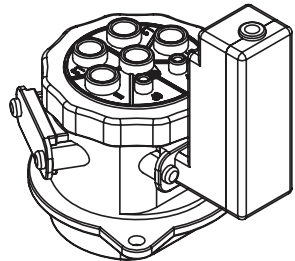
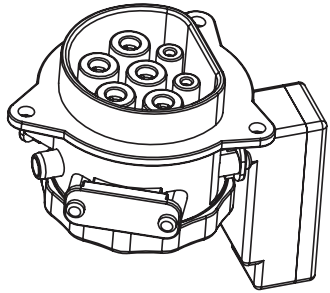


PART NO.

DSIEC-EL

REVISIONS

ECN #	REV	DESCRIPTION	DRAWN	DATE	CHECKD	DATE	APPRVD	DATE
-	1.0	RELEASED	AB	18/04/12	ER	18/04/12	ER	18/04/12



Features

- Electronic Locking
- Hinged Lid

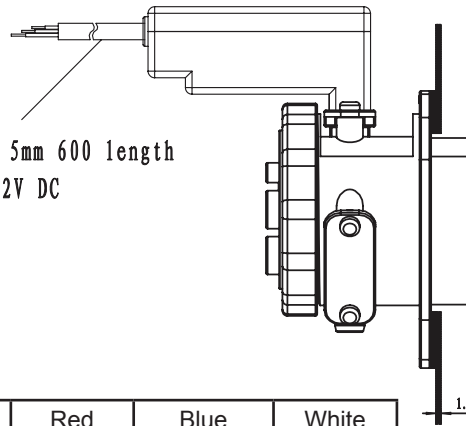
Specification

Current and Voltage : 32A 240V AC
 Signal Current : 2A < 30V DV
 Protection Degree : IP44

The plug II, was designed according to the standard of 62196-2 IEC 2010 sheet 2-IIb

Part Number Table

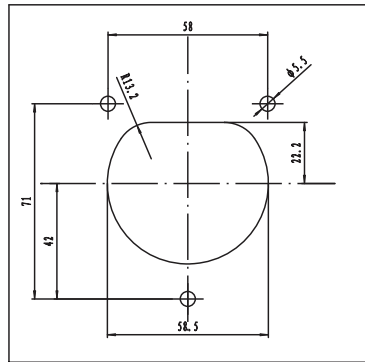
Description	Part Number
Locking Solenoid For 62196-2 Socket	DSIEC-EL



3*0.2mm² 5mm 600 length
 max. 3A 12V DC

Function	Red	Blue	White
Unlocking	OV	Signal On	+12V DC
Locking	+12V DC	Signal Off	OV

Actuate Solenoid Lock Using Single Pulse,
 Reverse / Changeover Polarity to Unlock



Dimensions : Millimetres (Inches)

www.element14.com
 www.farnell.com
 www.newark.com

Important Notice : This data sheet and its contents (the "Information") belong to the members of the Premier Farnell group of companies (the "Group") or are licensed to it. No licence is granted for the use of it other than for information purposes in connection with the products to which it relates. No licence of any intellectual property rights is granted. The Information is subject to change without notice and replaces all data sheets previously supplied. The Information supplied is believed to be accurate but the Group assumes no responsibility for its accuracy or completeness, any error in or omission from it or for any use made of it. Users of this data sheet should check for themselves the Information and the suitability of the products for their purpose and not make any assumptions based on information included or omitted. Liability for loss or damage resulting from any reliance on the Information or use of it (including liability resulting from negligence or where the Group was aware of the possibility of such loss or damage arising) is excluded. This will not operate to limit or restrict the Group's liability for death or personal injury resulting from its negligence. Multicomp is the registered trademark of the Group. © Premier Farnell plc 2012.

TOLERANCES:
 UNLESS OTHERWISE SPECIFIED, DIMENSIONS ARE FOR REFERENCE PURPOSES ONLY.

DRAWN BY:	DATE:
AB	18/04/12
CHECKED BY:	DATE:
ER	18/04/12
APPROVED BY:	DATE:
ER	18/04/12

DRAWING TITLE:			
Locking Solenoid			
SIZE	DWG NO.	ELECTRONIC FILE	REV
A4	DSIEC-EL-01	DSIEC-EL-1	1.0
SCALE: NTS		U.O.M.: mm (inch)	SHEET: 1 of 1