

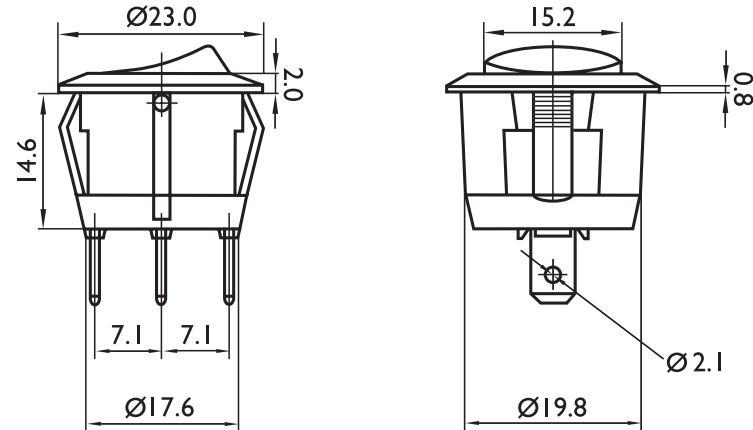
Specifications

ABRR011

Rating	12VDC		
Colour	Black body/Red illuminated		
Switch action	SP On-off		
Maximum contact resistance	30MΩ		
Minimum insulation resistance	500VDC 100MΩ		
Electrical life	10,000 cycles		
Operation force	300-600gf		
Operating temperature	-25°C~125°C		
Cut out	Z	Y	X
(diagram opposite)	0.75-1.25	20.8	20.2
	1.25-2.0	20.8	20.4
	2.0-3.0	20.8	20.6

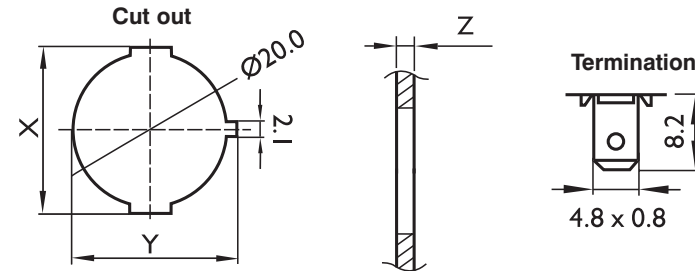
Approval VDE, UL

Double pole versions available



Features

- ROHS compliant
- Housing material: Nylon #66 UL 94V-2
- Rocker material: PC UL 94HB
- Terminal material: Copper alloy SN or AG plated
- Contact material: AgNi (15) Alloy



ALAN BUTCHER COMPONENTS LTD

Alan Butcher Components Ltd

Unit 1 Beechwood Clump Farm Industrial Estate Tin Pot Lane Blandford Dorset DT11 7TD

Telephone 01258 456360 Facsimile 01258 459194 Email sales@abcomponents.co.uk

www.abcomponents.co.uk



BS EN ISO 9001 Certification No 5239