



Products

A8 series | Double-pole switch 10A quick connection 4.8 black body



sample image

PRODUCT CODE: A8123110000

Wiring diagrams



Terminal type



accessories

Body colour



Actuator colour



Marking



Rating

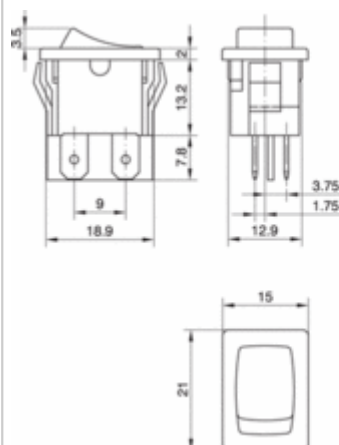
10 (4) A / 250 VAC
6 (4) A / 250 VAC - 5E4
T125 °C

10 A / 125 VAC
 1/3 HP - 125 VAC
 10 A / 250 VAC
 1/2 HP - 250VAC
 T65 °C

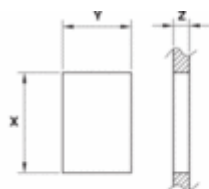
Approvals



Dimensions (mm)



Cut out (mm)



Z	Y	X
0.7 ... 1.25	13.0 ± 0.1	19.0 + 0.2
1.25 ... 2	13.0 ± 0.1	19.3 + 0.2
2.0 ... 3	13.0 ± 0.1	19.6 + 0.2