

## Products

### A1 series | Single-pole switch 10A quick connection 4.8 black body



sample image

**PRODUCT CODE: A1131121000**

Wiring diagrams



Terminal type



#### accessories

Body colour



Actuator colour



Marking



Marking colour



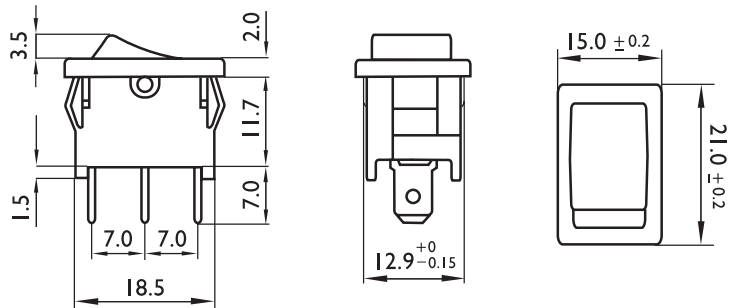
Rating

**10 (4) A / 250 VAC**  
**6 (6) A / 250 VAC**  
**6 (4) A / 250 VAC - 5E4**  
**T125 °C**  
  
 10 A / 125 VAC  
 1/3 HP - 125 VAC  
 10 A / 250 VAC  
 1/2 HP - 250VAC  
 T105 °C

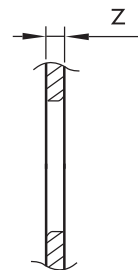
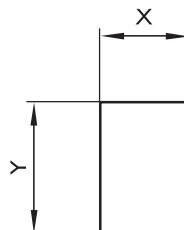
Approvals



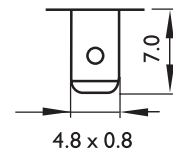
#### Dimensions (mm)



#### Cut out (mm)



#### Termination



Z	Y	X
0.7-1.25	19.0±0.1	13.0±0.1
1.25-2.0	19.3±0.2	13.0±0.1
2.0-3.0	19.6±0.2	13.0±0.1