

## Products

B4 series | Double-pole two-way switch 16A quick connection 6.3 black body

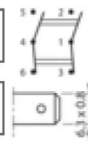


sample image

**PRODUCT CODE: B41LC1100000**

Wiring diagrams

Terminal type



### accessories

Body colour



Actuator colour



Marking



Rating

**16 (6) A / 250 VAC**

**10 (4) A / 250 VAC - 5E4**

**T120/55 °C**

20 A / 125 VAC

1/3 HP - 125 VAC

16 A / 250 VAC

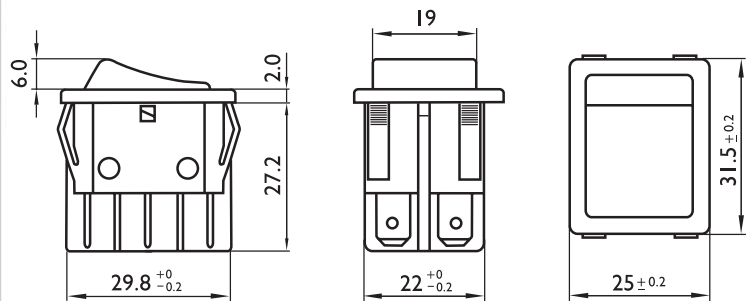
3/4 HP - 250VAC

T105 °C

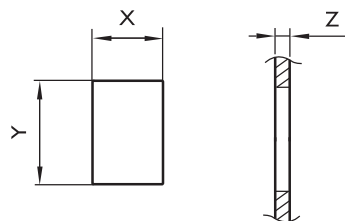
Approvals



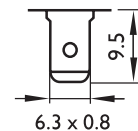
### Dimensions (mm)



### Cut out (mm)



### Termination



Z	Y	X
0.7-1.25	30.0 0 -0.1	22.0 +0.3 -0
1.25-2.0	30.2 0 -0.1	22.0 +0.3 -0
2.0-3.0	30.6 0 -0.3	22.0 +0.3 -0
3.0-4.0	30.8 0 -0.3	22.0 +0.3 -0