

Products

B4 series | Illuminated double-pole switch 16A quick connection 6.3 black body



sample image

PRODUCT CODE: B418C1G000000

Wiring diagrams



Terminal type



accessories

Body colour



Actuator colour



Marking



Rating

16 (6) A / 250 VAC

10 (4) A / 250 VAC - 5E4

T120/55 °C

20 A / 125 VAC

1/3 HP - 125 VAC

16 A / 250 VAC

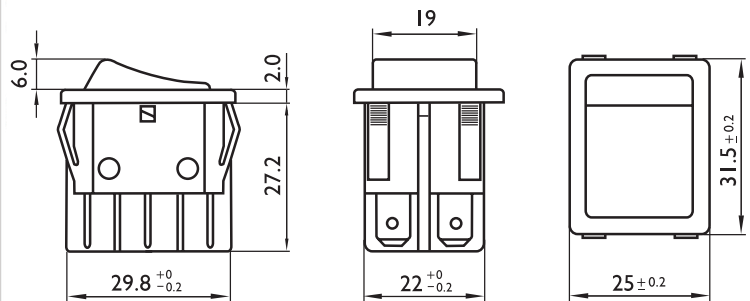
3/4 HP - 250VAC

T105 °C

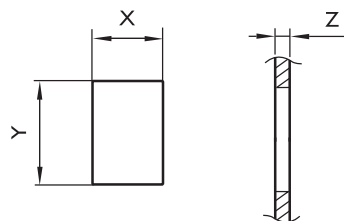
Approvals



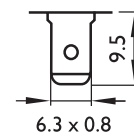
Dimensions (mm)



Cut out (mm)



Termination



Z	Y	X
0.7-1.25	30.0 ⁰ -0.1	22.0 ^{+0.3} -0
1.25-2.0	30.2 ⁰ -0.1	22.0 ^{+0.3} -0
2.0-3.0	30.6 ⁰ -0.3	22.0 ^{+0.3} -0
3.0-4.0	30.8 ⁰ -0.3	22.0 ^{+0.3} -0