



Switching, Sensing and Control Solutions

from GENTECH INTERNATIONAL LTD

Grangestone Industrial Estate, Girvan, Ayrshire KA26 9PS, United Kingdom

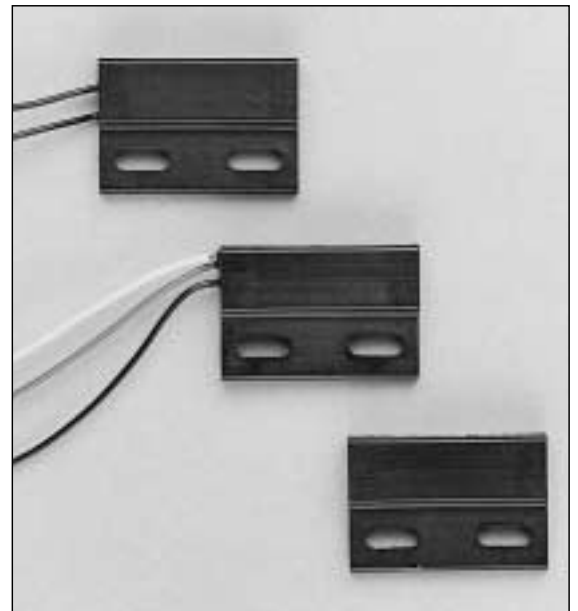
Telephone: +44 (0) 1465-713581. Fax: +44 (0) 1465 714974

Email: sales@gentech-international.co.uk

Website: gentech-international.co.uk

PS1/PM1 & PS2/PM2 SERIES

POSITION SENSORS



DESIGN FEATURES

- Normally open, normally closed or changeover contact options
- UL listed models, PS2/PM2 range, file no.E153493
- Robust potted assembly in glass filled Nylon 6.6 UL 94-HB housing
- Cost effective, easy to install. Termination leads can be left or right handed to suit individual requirements
- Proven reed switch reliability, contact ratings up to 100Vdc, 15watts

The Gentech PS1 and PS2 Series of magnetic reed switch position sensors provide reliability and a robust construction suitable for dirty, oily, greasy, wet and similarly harsh environments. Operated by a similarly packaged (PM Series) magnet, the combination is suitable for direct magnet or shunt operation. PS Series position sensors meet a wide variety of application needs in security and safety systems, office equipment, fluid level sensing and management, construction plant, the automotive and many other industries.

TYPICAL APPLICATIONS

- Security switches
- Interlocked switches
- Pulse generation
- Position indicators
- Materials handling
- Hook switches

Operational Characteristics

Switch Option		01	02	03
Contact Configuration		SPST(NO)	SPST(NC)	SPDT
Contact ratings				
Maximum (resistive loads)	Volts DC	500	130	130
	Volts AC	250	100	100
	Amps	1.0	0.3	0.3
	Watts	15	3	3
Minimum breakdown voltage across contacts	Volts	800	200	200
Initial contact resistance	Ohms	0.15	0.2	0.2

The above contact ratings are for resistive loads. For inductive, capacitive and tungsten filament lamp loads refer to the circuit protection notebook.

Environmental Specifications

Temperature Range

Magnet and Sensor
Cable insulation

Operate and Storage

-30° to +105°C
-30° to +70°C

Electrical Connections

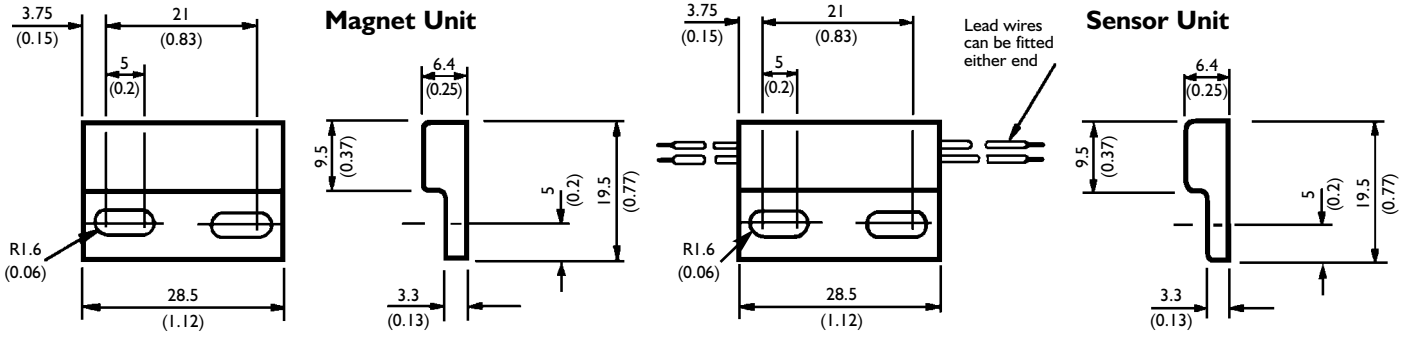
PS1 Range Switch Option 01 & 02 are fitted with 2 x 0.5 metre of 24AWG, 7/0.2mm stranded, with PVC insulation.

PS1 Range Switch Option 03 is fitted with 3 x 0.5 metre of 24AWG, 7/0.2mm stranded, with PVC insulation.

PS2 Range Switch Option 01 & 02 are fitted with 2 x 0.5 metre of 20AWG stranded, UL1015 with orange PVC insulation.

PS2 Range Switch Option 03 is fitted with 3 x 0.5 metre of 24AWG stranded, UL1569 with black, yellow & blue PVC insulation.

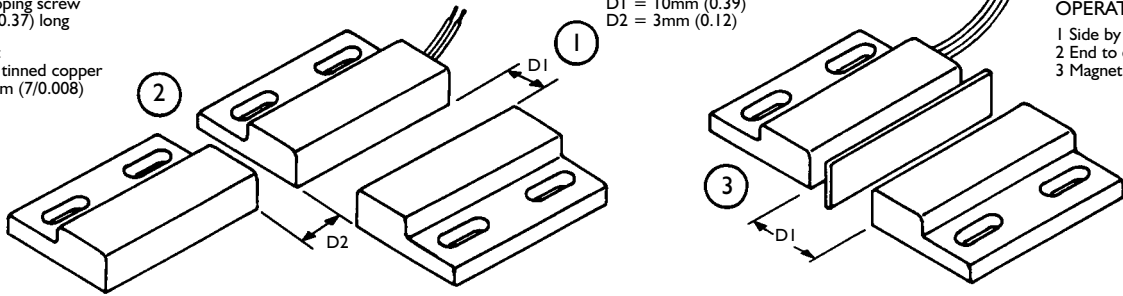
PS1/PM1 & PS2/PM2 (UL LISTING)



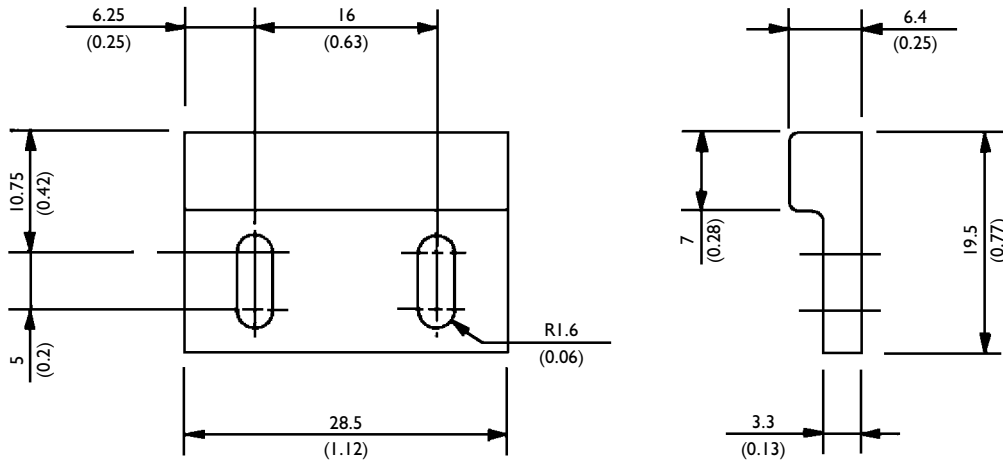
1. Recommended mounting screw:
Pan head self tapping screw
No.4 x 9.5mm (0.37) long
2. Lead wire detail:
Equipment wire tinned copper
stranded 7/0.2mm (7/0.008)

Maximum operate distance (all models)
D1 = 10mm (0.39)
D2 = 3mm (0.12)

- MODES OF OPERATION**
- 1 Side by side
 - 2 End to end
 - 3 Magnetic shunt



PM102 RANGE MAGNET



Installation

Please contact Sales at Gentech for installation instructions (Ref. FI 1000-R1)

Applications

Please contact Sales at Gentech for applications relating to this product group.



GENTECH INTERNATIONAL LTD
Grangestone Industrial Estate, Girvan, Ayrshire KA26 9PS, United Kingdom
Telephone: +44 (0) 1465-713581. Fax: +44 (0) 1465 714974
Email: sales@gentech-international.co.uk
Website: gentech-international.co.uk