

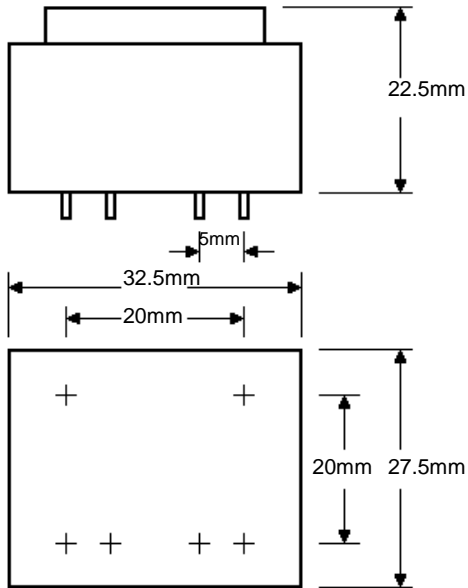
A.M. Transformers Ltd

Unit 7, Building 1, Chiltern Paving Est. Lane End Road, Sands,
High Wycombe, Bucks, HP12 4HG, England, U.K.

Telephone Number : 01494 524396 Fax Number : 01494 512668

www.am-transformers.com

DATA SHEET – WC100



DESCRIPTION	: 1.5VA Encapsulated Inherently Short Circuit Proof Transformer
PRIMARY	: 230V
SECONDARY	: 6 + 6V
Insulation Test	: 3750V
Insulation Class	: B (130°C)
Temperature range	: -10 to 70 Deg C
Dimensions	: 32.5mm x 27.5mm x 22.5mm
Standards	: VDE EN61558 and conforms with the provisions of the Low Voltage Directive of the Council of the European Communities of 19 February 1973.

All transformers are 100% tested for their safety critical features and are CE marked.