



485323

PMX-22x58

125A

690V~



fuse holders

**CYLINDRICAL**





**S&DF**  
**PMX-22x58**  
125A  
690V~  
485323

**S&DF**  
485308



**S&DF** **PMF**  
**32 A** **10x38**  
690 V~  
480032 I

Size: **PMF 10x38**  
RATED: 600 V, 30 A  
TORQUE RATING 18...22 lb.in  
WIRE RANGE: #8-18 AWG  
**DO NOT OPEN  
UNDER LOAD**  
**RU** **SA**  
IEC/EN60269  
690 V~ 32 A 3W  
2...2.5 Nm  
AC22B 500V  
AC21B 690V  
Made in Spain

# CYLINDRICAL

## FUSE HOLDERS

- PAGE 06 | PME MODULAR FUSE HOLDERS
- PAGE 07 | PMX MODULAR FUSE HOLDERS
- PAGE 09 | PMC COMPACT FUSE HOLDERS
- PAGE 09 | PMCC COMPACT FIXING FUSE HOLDERS
- PAGE 10 | SC SCREEN FIXING FUSE HOLDERS
- PAGE 10 | BAC OPEN FUSE MOUNTING FUSE HOLDERS
- PAGE 11 | PMP PANEL MOUNTING FUSE HOLDERS
- PAGE 11 | PMB SOCKET FUSE HOLDERS

PMX-22x58  
125A  
690V ~

# CYLINDRICAL FUSE HOLDERS

## PMF MODULAR FUSE HOLDERS

Modular fuse holders for industrial cylindrical fuse links. For mounting on DIN/EN rail. Single phase models, single-phase+neutral in only one module and multi-pole types. Available with fusing indicator or with microswitch for use with fuse links with striker (only fusing detection or fusing+pre-breaking+fuse link detection). Multi-pole units can be made of connection accessories. PMF fuse holders are made of self-extinguishable materials and have silver plated copper contacts. UL and CSA approvals.

[www.df-sa.es/cylindrical/fuseholders/PMF/](http://www.df-sa.es/cylindrical/fuseholders/PMF/)

POLES	MODULES 17,5 mm	REFERENCE		I <sub>n</sub> (A)	U (V)	PACKING Uni./BOX	
		WITHOUT INDICATOR	WITH INDICATOR				
8x32	I	1	480020	480020 I	25	400	12/192
	N	1	480032 N	-	32	690	12/192
	I + N	1	480125	480125 I	25	400	12/192
	I + N	2	480120	480120 I	25	400	6/96
	2	2	480220	480220 I	25	400	6/96
	3	3	480320	480320 I	25	400	4/64
	3 + N	3	480325	480325 I	25	400	4/64
	3 + N	4	480420	480420 I	25	400	3/48
	4	4	480520	480520 I	25	400	3/48

10x38	I	1	480032	480032 I	32	690	12/192
	N	1	480032 N	-	32	690	12/192
	I + N	1	480135	480135 I	32	400	12/192
	I + N	2	480132	480132 I	32	690	6/96
	2	2	480232	480232 I	32	690	6/96
	3	3	480332	480332 I	32	690	4/64
	3 + N	3	480335	480335 I	32	400	4/64
	3 + N	4	480432	480432 I	32	690	3/48
	4	4	480532	480532 I	32	690	3/48



480032 I

## PMF 24VDC MODULAR FUSE HOLDERS WITH INDICATOR

10x38	I	481032 I	32	24	12
	II	481232 I	32	24	12
	III	481332 I	32	24	12



481032 I

## PMF MODULAR FUSE HOLDERS ACCESSORIES

8x32 10x38	REFERENCE	DESCRIPTION	PACKING
	480005	PINS FOR MULTIPOLE ASSEMBLY	12
	480006	HANDLE TIES FOR MULTIPOLE ASSEMBLY	12



480005



480006

STANDARDS	STANDARDS	APPROVALS
IEC 60269-1 IEC 60269-2 EN 60269-1 EN 60269-2 IEC 60947-3 EN 60947-3	CSA C22.2 4248-1 UL 4248-1	 

TECHNICAL	TECHNICAL	TECHNICAL
TECHNICAL DATA	PMF FUSE HOLDERS MULTI-POLE ASSEMBLY	DIMENSIONS
PAGE 16	PAGE 17	PAGE 18

COMPATIBLE	COMPATIBLE	COMPATIBLE
gG CYLINDRICAL FUSES	aM CYLINDRICAL FUSES	aR - aR HIGH SPEED FUSES FOR SEMICONDUCTORS
PAGE 02	PAGE 03	SEE RAPIDPLUS



# CYLINDRICAL FUSE HOLDERS

## PMX MODULAR FUSE HOLDERS **NEW**

- 1 Available in an extended range of different versions with fuse indicator, with microswitch, 690V, 24 V DC, Microswitch FUSING+PRE-BREAKING+FUSE LINK DETECTION.
- 2 Accessory available to lock the fuse holder by a padlock.
- 3 IP20 Security accessory in terminal zones. For wires of section  $\leq 10 \text{ mm}^2$ .
- 4 All the versions with label holder for a good circuit identification.
- 5 Compact design.
- 6 Accessories for multiple poles assembly for fuse holders and microswitch.
- 7 Ventilation zones optimized for a better heat dissipation.

- 8 2 position DIN Rail fixation.
- 9 Made of a polymer high performance with a fusion temperature more than 300 °C. This provides a safety margin against a possible overheating of the fuse, and when it exceeds the rated power acceptance of the fuse holder.
- 10 The PMX fuse holder can be fixed/unfixed on DIN rail with the same screwing tools that the installer uses for cable terminal fixing, regardless the screw driver head is in form of slot or PZZ.
- 11 PMX Fuse holder is made of halogen free plastic, prepared for future restrictions on these substances.

[www.df-sa.es/cylindrical/fuseholders/PMX/](http://www.df-sa.es/cylindrical/fuseholders/PMX/)

	POLES	MODULES	REFERENCE		$I_n$ (A)	U (V)	PACKING Uni./BOX
			WITHOUT INDICATOR	WITH INDICATOR			
14x51	I	1,5	485201	485208	50	690	6/90
	N	1,5	485202	-	50	690	6/90
	I + N	3	485203	485209	50	690	3/45
	2	3	485204	485210	50	690	3/45
	3	4,5	485205	485211	50	690	2/30
	3 + N	6	485206	485212	50	690	1/18
	4	6	485207	485213	50	690	1/18
	14x51 24VDC	1	1,5	-	485214	50	24
	1+N	3	-	485215	50	24	3/45
	2	3	-	485216	50	24	3/45



485208

## PMX MODULAR FUSE HOLDERS WITH MICROSWITCH **NEW**

	POLES	MODULES	REFERENCE		$I_n$ (A)	U (V)	PACKING Uni./BOX
			PREBREAKING FUSING - PRESENCE	ONLY FUSION			
14x51	I	1,5	485220	485226	50	690	6/90
	I + N	3	485221	485227	50	690	3/45
	2	3	485222	485228	50	690	3/45
	3	4,5	485223	485229	50	690	2/30
	3+N	6	485224	485230	50	690	1/18
	4	6	485225	485231	50	690	1/18



485223

## PMX MODULAR FUSE HOLDERS ACCESSORIES **NEW**

14x51	REFERENCE	DESCRIPTION	PACKING
	480005	PIN FOR MULTIPOLE ASSEMBLY	12
	485356	HANDLE TIES FOR MULTIPOLE ASSEMBLY	12
	485357	HANDLE TIES FOR MICROSWITCH ASSEMBLY	12
	485258	LOCK SUPPORT	5
	485259	MICROSWITCH 1P *	5
	485260	MICROSWITCH 3P *	2
	485261	MICROSWITCH 3P (2M) *	2
	485262	MICROSWITCH UNIPOLAR EXTENSION	5
	485263	MICROSWITCH TRIPOLAR EXTENSION	2
	485264	REPLACEMENT FUSING INDICATOR NEON 120/690 VAC	3
	485265	REPLACEMENT FUSING INDICATOR LED 24 VDC	3
	485266	SPECIAL PROTECTION IP20 ACCESSORIE PMX-14	12



485356



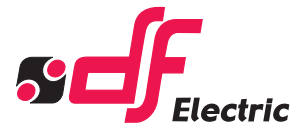
480005



485266

\* TO CONVERT STANDARD BASE ON MICROSWITCH BASE ONLY FUSING AND AS MICROSWITCH PMX SPARE PREBREAKING- FUSING-PRESENCE

# CYLINDRICAL FUSE HOLDERS



## PMX MODULAR FUSE HOLDERS **NEW**

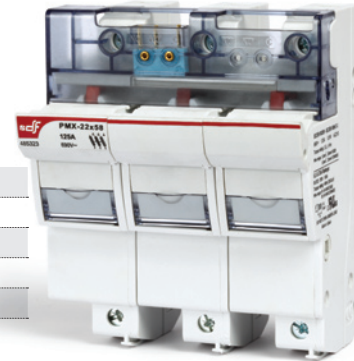
22x58	POLES	MODULES	REFERENCE		I <sub>n</sub> (A)	U (V)	PACKING Uni./BOX
			WITHOUT INDICATOR	WITH INDICATOR			
	1	2	485301		125	690	6/48
	N	2	485302		125	690	6/48
	1+N	4	485303		125	690	3/24
	2	4	485304		125	690	3/24
	3	6	485305		125	690	2/16
	3+N	8	485306		125	690	1/8
	4	8	485307		125	690	1/8
	1	2	-	485314		24	6/48
	1+N	4	-	485315		24	3/24
	2	4	-	485316		24	3/24



485308

## PMX MODULAR FUSE HOLDERS WITH MICROSWITCH **NEW**

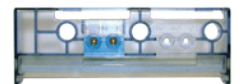
22x58	POLES	MODULES	REFERENCE		I <sub>n</sub> (A)	U (V)	PACKING Uni./BOX
			PREBREAKING FUSING - PRESENCE	ONLY FUSION			
	1	2	485320		125	690	6/48
	1+N	4	485321		125	690	3/24
	2	4	485322		125	690	3/24
	3	6	485323		125	690	2/16
	3+N	8	485324		125	690	1/8
	4	8	485325		125	690	1/8



485323

## PMX MODULAR FUSE HOLDERS ACCESSORIES **NEW**

22x58	REFERENCE	DESCRIPTION	PACKING
	480005	PIN FOR MULTIPOLE ASSEMBLY	12
	485356	HANDLE TIES FOR MULTIPOLE ASSEMBLY	12
	485357	HANDLE TIES FOR MICROSWITCH ASSEMBLY	12
	485358	LOCK SUPPORT	5
	485359	MICROSWITCH 1P *	5
	485360	MICROSWITCH 3P *	2
	485361	MICROSWITCH 3P (2M) *	2
	485362	MICROSWITCH UNIPOLAR EXTENSION	5
	485363	MICROSWITCH TRIPOLAR EXTENSION	2
	485364	REPLACEMENT FUSING INDICATOR NEON 120/690 VAC	3
	485365	REPLACEMENT FUSING INDICATOR LED 24 VDC	3
	485366	SPECIAL PROTECTION IP20 ACCESSORIE PMX-22	12
	485367	SPECIAL CONNECTION M8 ACCESSORIE	12



485360



485366

\* TO CONVERT STANDARD BASE ON MICROSWITCH BASE ONLY FUSING AND AS MICROSWITCH PMX SPARE PREBREAKING- FUSING-PRESENCE

# CYLINDRICAL FUSE HOLDERS

## PMC COMPACT FUSE HOLDERS

Compact fuse holders for industrial cylindrical fuse links. Very low dimensions. For mounting on DIN/EN rail. Single phase models or single phase + neutral in only one module. Multi-pole units can be made with connection accessories. PMC fuse holders are made with self-extinguishable materials and have silver plated copper contacts.

[www.df-sa.es/cylindrical/fuseholders/PMC/](http://www.df-sa.es/cylindrical/fuseholders/PMC/)

	POLES	MODULES 17,5 mm	REFERENCE	I <sub>n</sub> (A)	U (V)	PACKING Uni./BOX	
8x32	I	1	483000	25	400	12/336	
	N	1	483002	32	690	12/336	
	I + N	1	483004	25	400	12/336	
	I + N	2	483006	25	400	6/168	
	2	2	483008	25	400	6/168	
	3	3	483010	25	400	4/112	
	3 + N	3	483012	25	400	4/112	
	3 + N	4	483014	25	400	3/84	
	4	4	483016	25	400	3/84	
10x38	I	1	483030	32	690	12/336	
	N	1	483002	32	690	12/336	
	I + N	1	483034	32	500	12/336	
	I + N	2	483036	32	690	6/168	
	2	2	483038	32	690	6/168	
	3	3	483040	32	690	4/112	
	3 + N	3	483042	32	500	4/112	
	3 + N	4	483044	32	690	3/84	
		4	4	483046	32	690	3/84



483002

## PMC COMPACT FUSE HOLDERS ACCESSORIES

SIZE	REFERENCE	DESCRIPTION	PACKING
8x32 / 10x38	483050	PINS FOR MULTIPOLE ASSEMBLY	12/300
8x32 / 10x38	483052	HANDLE TIES FOR MULTIPOLE ASSEMBLY	12/300



483052

## PMCC MODULAR FUSE HOLDERS

Modular fuse holders for cylindrical CC class fuse links. For mounting on DIN/EN rail. Single phase and multi-pole types. Available with fusing indicator. Multi-pole units can be made with connection accessories. PMCC fuse holders are made with self-extinguishable materials and have silver plated copper contacts. UL and CSA approvals.

[www.df-sa.es/cylindrical/fuseholders/PMCC/](http://www.df-sa.es/cylindrical/fuseholders/PMCC/)

POLES	REFERENCE		I <sub>n</sub> (A)	U (V)	PACKING Uni./BOX
	WITHOUT INDICATOR	WITH INDICATOR			
I	460008	460008 I	30	600	12/192
II	460009	460009 I	30	600	6/96
III	460010	460010 I	30	600	4/64



460009

STANDARDS IEC 60269-1 IEC 60269-2 EN 60269-1 EN 60269-2 IEC 60947-3 EN 60947-3	STANDARDS CSA C22.2 4248-1 UL 4248-1	APPROVALS  
--	--	-------------------

TECHNICAL TECHNICAL DATA PAGE 16	TECHNICAL PMC & PMCC FUSE HOLDERS MULTI-POLE ASSEMBLY PAGE 17	TECHNICAL DIMENSIONS PAGE 18
--	---	------------------------------------

COMPATIBLE gG CYLINDRICAL FUSES PAGE 02	COMPATIBLE aM CYLINDRICAL FUSES PAGE 03	COMPATIBLE aR - gR HIGH SPEED FUSES FOR SEMICONDUCTORS SEE RAPIDPLUS
---	---	---

# CYLINDRICAL FUSE HOLDERS

## SC SCREW FIXING FUSE HOLDERS

Fuse holders for industrial cylindrical fuse links. Screw fixing. Available single-pole and neutrals. SC fuse holders are made with self-extinguishable materials and have silver plated copper contacts.  
[www.df-sa.es/cylindrical/fuseholders/SC/](http://www.df-sa.es/cylindrical/fuseholders/SC/)

	POLES	MODULES 17,5 mm	REFERENCE	$I_n$ (A)	U (V)	PACKING Uni./BOX
8x32	I	1	451025	25	400	12
	N	1	451025 N	25	400	12
10x38	I	1	451032	32	500	12
	N	1	451032 N	32	500	12
14x51	I	1	451050	50	690	12
	N	1	451050 N	50	690	12
22x58	I	1	451100	100	690	6
	N	1	451100 N	100	690	6



451032

## BAC OPEN FUSE HOLDERS NEW

Open bases for cylindrical fuses. The bases BAC for cylindrical fuses are particularly suitable for semiconductor fuses with high power dissipation and therefore needed to be mounted on open bases to facilitate the heat dissipation. Fixation on panel by screw. Made of thermosetting self extinguishing material.  
[www.df-sa.es/cylindrical/fuseholders/BAC/](http://www.df-sa.es/cylindrical/fuseholders/BAC/)

	REFERENCE	$I_n$ (A)	U (V)	PACKING Uni./BOX
10x38	451210	32	690	20/300
14x51	451220	50	690	10/240
22x58	451230	100	690	10/120



451230

STANDARDS IEC 60269-1 IEC 60269-2 EN 60269-1 EN 60269-2 IEC 60947-3 EN 60947-3	STANDARDS CSA C22.2 4248-1 UL 4248-1	APPROVALS RoHS compliant
--	--	--------------------------------

TECHNICAL TECHNICAL DATA PAGE 16	TECHNICAL DIMENSIONS PAGE 21
--	------------------------------------

COMPATIBLE gG CYLINDRICAL FUSES PAGE 02	COMPATIBLE aM CYLINDRICAL FUSES PAGE 03	COMPATIBLE aR - gR HIGH SPEED FUSES FOR SEMICONDUCTORS SEE RAPIDPLUS
---	---	--



# CYLINDRICAL FUSE HOLDERS

## PMP PANEL MOUNTING FUSE HOLDERS NEW

[www.df-sa.es/cylindrical/fuseholders/PMP/](http://www.df-sa.es/cylindrical/fuseholders/PMP/)

	REFERENCE	DESCRIPTION	I <sub>n</sub> (A)	U (V)	PACKING Uni./BOX
10x38	486001	BAYONET FIXING	30	600	10/100
	486002	SCREW FIXING	30	600	10/100



## PMB PLUG CONNECTION FUSE HOLDERS NEW

[www.df-sa.es/cylindrical/fuseholders/PMB/](http://www.df-sa.es/cylindrical/fuseholders/PMB/)

	REFERENCE	I <sub>n</sub> (A)	U (V)	PACKING Uni./BOX
10x38	490030	32	500	20/100



## PMF PMX PMC CONNECTION ACCESSORIES NEW

[www.df-sa.es/cylindrical/fuseholders/connection-accessories/phase-busbars/](http://www.df-sa.es/cylindrical/fuseholders/connection-accessories/phase-busbars/)

PMCC SC	POLES	MODULES	REFERENCE	SECTION (mm <sup>2</sup> )	PACKING
	I	13	485600	10	10
	I	57	485601	10	10
	II	12	485602	10	6



## PMF PMX PMC CONNECTION ACCESSORIES NEW

[www.df-sa.es/cylindrical/fuseholders/connection-accessories/phase-busbars/](http://www.df-sa.es/cylindrical/fuseholders/connection-accessories/phase-busbars/)

PMCC SC	REFERENCE	DESCRIPTION	PACKING
	485603	INSULATED TERMINAL 6...25 mm <sup>2</sup> (FEEDING ACROSS)	10
	485604	INSULATED TERMINAL 6...50 mm <sup>2</sup> (FEEDING ACROSS)	50
	485605	END COVER FOR 1 PHASE BUSBAR	50



STANDARDS IEC 60269-1 IEC 60269-2 EN 60269-1 EN 60269-2 IEC 60947-3 EN 60947-3	STANDARDS CSA C22.2 4248-1 UL 4248-1	APPROVALS 
--	--	---------------

TECHNICAL TECHNICAL DATA PAGE 16	TECHNICAL PMP FUSE HOLDERS DIMENSIONS PAGE 22	TECHNICAL PHASE BUSBARS & ACCESSORIES DIMENSIONS PAGE 23
--	--	--

COMPATIBLE gG CYLINDRICAL FUSES PAGE 02	COMPATIBLE aM CYLINDRICAL FUSES PAGE 03	COMPATIBLE aR - aR HIGH SPEED FUSES FOR SEMICONDUCTORS SEE RAPIDPLUS
---	---	---

## CYLINDRICAL MODULAR FUSE HOLDERS

	PMF 8x32	PMF 10x38	PMCC	PMC 8x32	PMC 10x38	PMX 14x51	PMX 22x58	BAC 14x51	BAC 22x58	PMP 10x38
RATED CURRENT	25 A	32 A	30 A	25 A	32 A	50 A	125 A	50 A	100 A	30 A
RATED VOLTAGE	400 V	690 V	600 V	400 V	690 V	690 V	690 V	690 V	690 V	600 V
RATED POWER DISSIPATION	3 W	3 W	3 W	3 W	3 W	5 W	9,5 W	12 W	20 W	
UTILIZATION CATEGORY	AC-22B 400V AC-21B 690V	AC-22B 500V AC-21B 690V	—	AC-20	AC-20	AC-22B 500V AC-21B 690V	AC-21B 690V			
PROTECTION DEGREE	IP-20	IP-20	IP-20	IP-20	IP-20	IP-20	IP-20	IP-00	IP-00	IP-00
OPERATING TEMPERATURE	-20 ... 70 °C	-20 ... 70 °C	-20 ... 70 °C	-20 ... 70 °C	-20 ... 70 °C	-20 ... 70 °C	-20 ... 70 °C	-20 ... 60 °C	-20 ... 60 °C	-20 ... 70 °C
STORAGE TEMPERATURE	-40 ... 80 °C	-40 ... 80 °C	-40 ... 80 °C	-40 ... 80 °C	-40 ... 80 °C	-40 ... 80 °C	-40 ... 80 °C	-40 ... 80 °C	-40 ... 80 °C	-40 ... 80 °C
DERATING TEMPERATURE	20 °C	1	1	1	1	1	1			1
	0,95	0,95	0,95	0,95	0,95	0,95	0,95			0,95
	0,9	0,9	0,9	0,9	0,9	0,9	0,9			0,9
	0,8	0,8	0,8	0,8	0,8	0,8	0,8			0,8
DERATING N° OF POLES	1 ... 4	1	1	1	1	1	1			1
	0,8	0,8	0,8	0,8	0,8	0,8	0,8			
	0,7	0,7	0,7	0,7	0,7	0,7	0,7			
	0,6	0,6	0,6	0,6	0,6	0,6	0,6			
FIXING	•	•	•	•	•	•	•			
	—	—	—	—	—	—	—			
CONNECTING WIRE	0,75...16 mm <sup>2</sup> STRANDED 0,75...25 mm <sup>2</sup> SOLID	0,75...16 mm <sup>2</sup> STRANDED 0,75...25 mm <sup>2</sup> SOLID	0,75...16 mm <sup>2</sup> STRANDED 0,75...25 mm <sup>2</sup> SOLID	0,75...6 mm <sup>2</sup> STRANDED 0,75...10 mm <sup>2</sup> SOLID	0,75...6 mm <sup>2</sup> STRANDED 0,75...10 mm <sup>2</sup> SOLID	1,5...25 mm <sup>2</sup> STRANDED 1,5...35 mm <sup>2</sup> SOLID	1,5...35 mm <sup>2</sup> STRANDED 1,5...50 mm <sup>2</sup> SOLID	2,5...35 mm <sup>2</sup> STRANDED 4...35 mm <sup>2</sup> SOLID	4...70 mm <sup>2</sup> STRANDED 6...95 mm <sup>2</sup> SOLID	
WITH LIGHTNING INDICATOR	120...400V AC 2 N (1P+N 1M)	120...690V AC 12...24V DC	120...690V AC 12...24V DC	—	—	230...690V AC 24...60 VDC	230...690V AC 24...60 VDC			
MAX. TIGHTENING TORQUE	2,5 Nm (1P+N 1M)	2,5 Nm (1P+N 1M)	2,5 Nm (1P+N 1M)	2 Nm	2 Nm	3 Nm	4 Nm	2,5 Nm	3,5 Nm	
WITH MICROSWITCH 5A-250V	—	—	—	—	—	•	•			
PREBREAKING PRESENCE FUSING	—	—	—	—	—	•	•			
MULTIPOLAR UNION WITH ACCESSORIES	•	•	•	•	•	•	•			
LABEL HOLDER	—	—	—	—	—	•	•			
LOCKING ACCESSORIES	—	—	—	—	—	•	•			

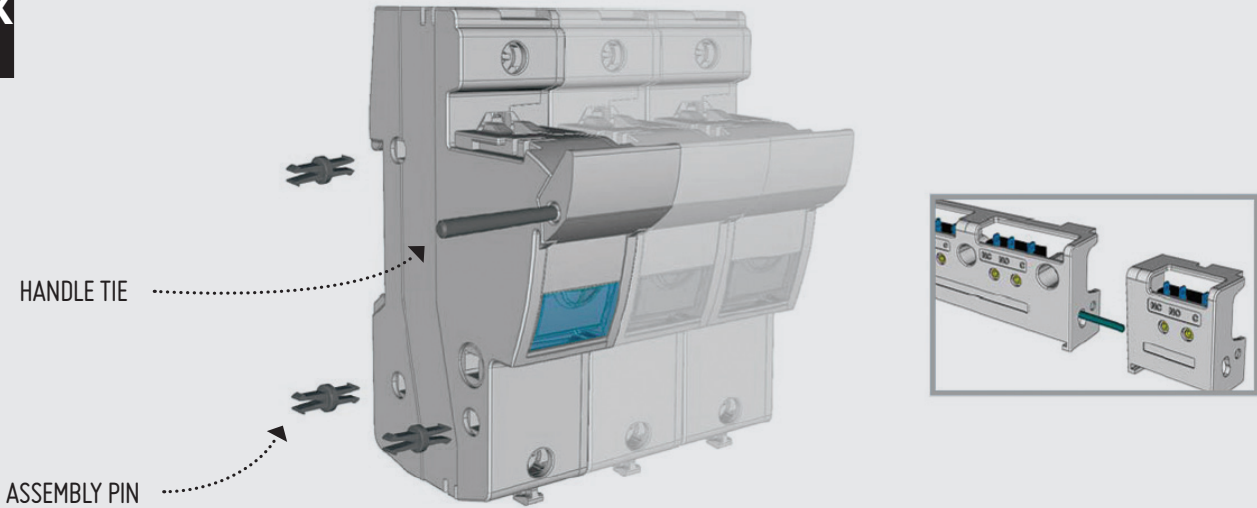
# CYLINDRICAL FUSE HOLDERS

TECHNICAL  
**PMF** MODULAR FUSE HOLDERS  
MULTI-POLE ASSEMBLY

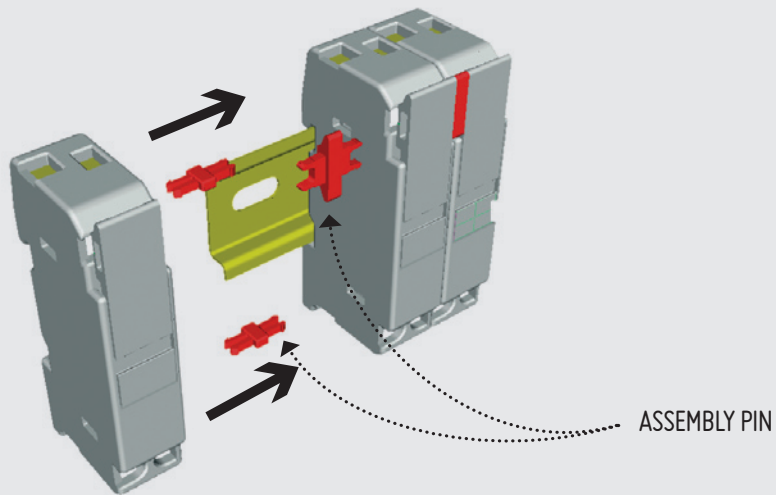
**PMCC**

**PMX**

NEW



TECHNICAL  
**PMC** COMPACT FUSE HOLDERS  
MULTI-POLE ASSEMBLY



For multipole assemblies of fuse holders are necessary several accessories.

EXAMPLE 1

A bipolar PMX fuse holder  
**3** assembly pins  
**1** handle tie

EXAMPLE 2

A bipolar PMF or PMC fuse holder  
**2** assembly pins  
**1** handle tie

EXAMPLE 3

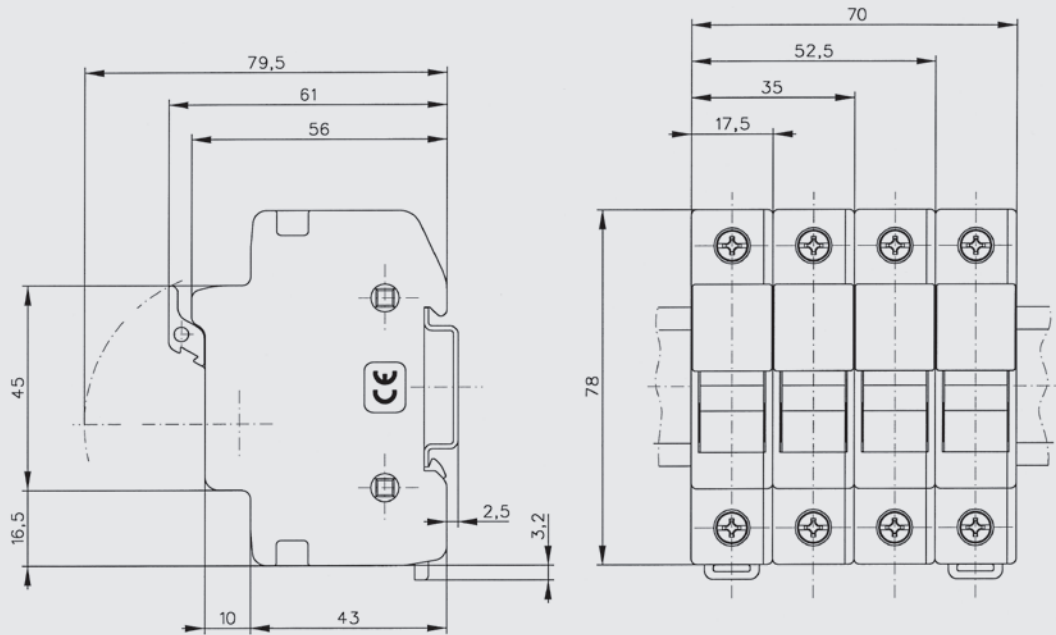
A three-pole PMF or PMC fuse holder  
**4** assembly pins  
**2** handle ties



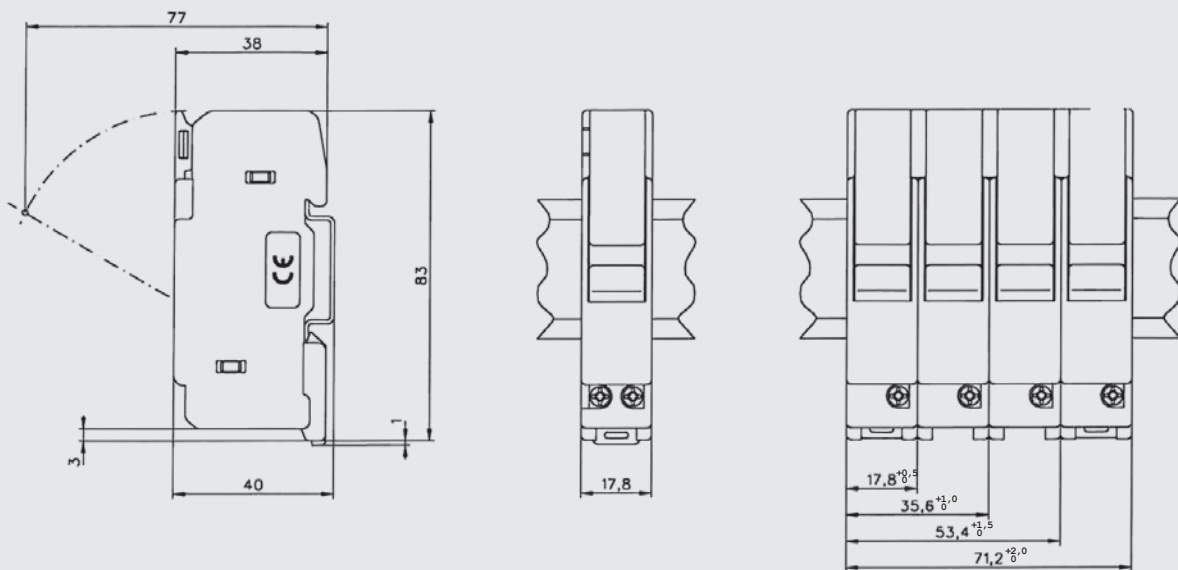
# CYLINDRICAL FUSE HOLDERS

TECHNICAL  
**PMF** MODULAR FUSE HOLDERS  
 DIMENSIONS

**PMCC**



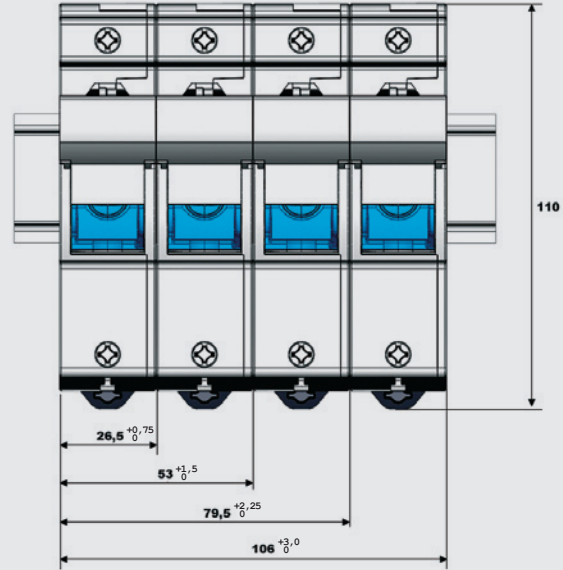
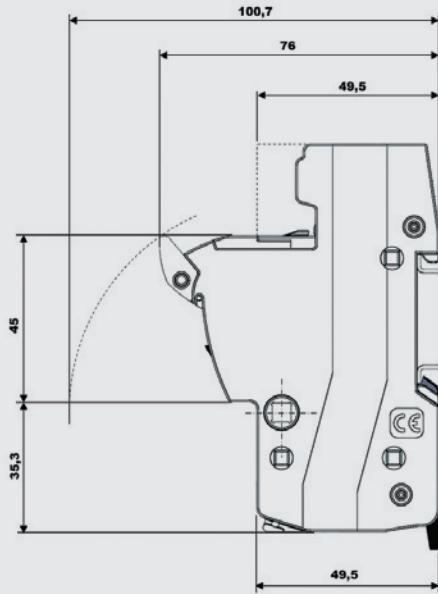
TECHNICAL  
**PMC** COMPACT FUSE HOLDERS  
 DIMENSIONS



# CYLINDRICAL FUSE HOLDERS

TECHNICAL  
**PMX** MODULAR FUSE HOLDERS  
 DIMENSIONS

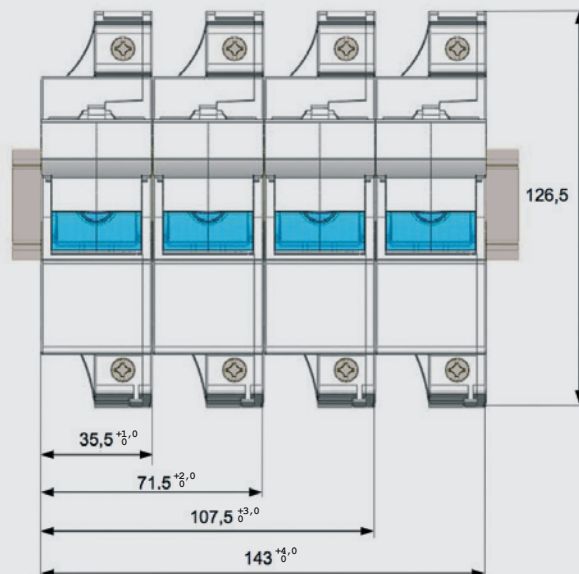
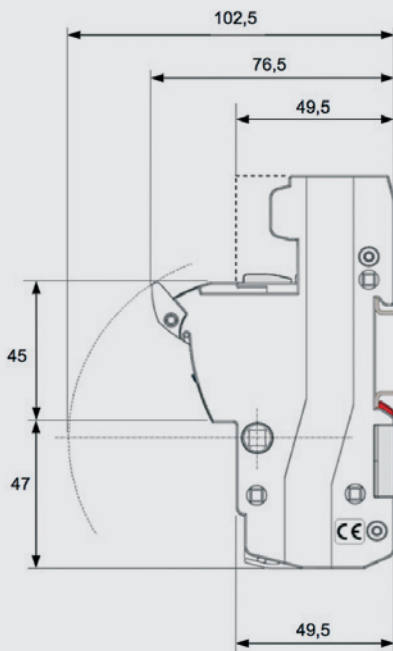
14x51



NEW

TECHNICAL  
**PMX** MODULAR FUSE HOLDERS  
 DIMENSIONS

22x58



NEW

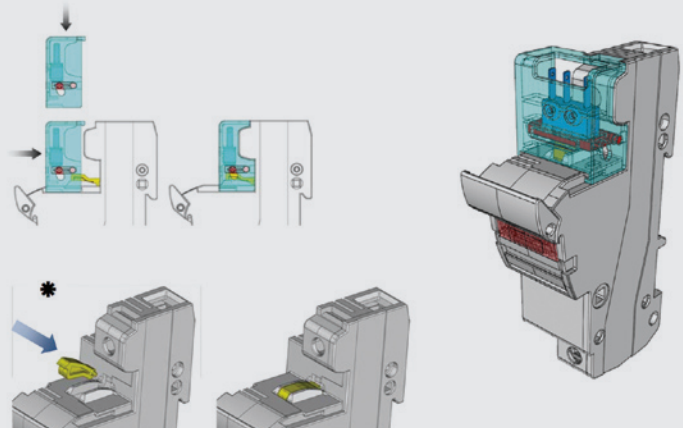
# CYLINDRICAL FUSE HOLDERS

TECHNICAL

## PMX MODULAR FUSE HOLDERS MICROSWITCH MOUNTING

Put on the **microswitch** on the guides, and push in horizontal movement to the final position.

\* For **ONLY FUSION** accessory, first mount the lifter in his place.

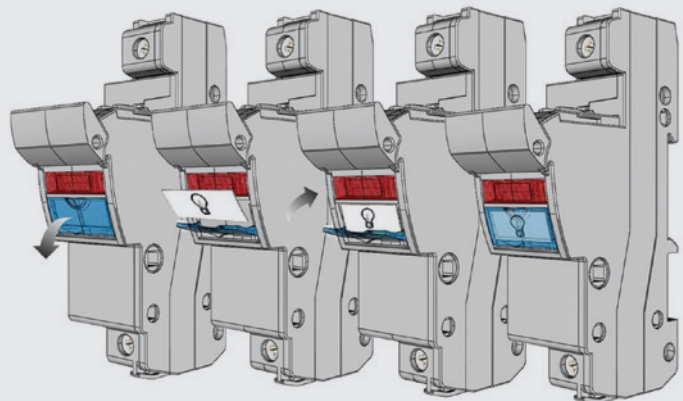


NEW

TECHNICAL

## PMX MODULAR FUSE HOLDERS IDENTIFICATION BY LABEL

Open the **label-holder part** when the fuse holder is totally closed or totally open, put on the label and close.

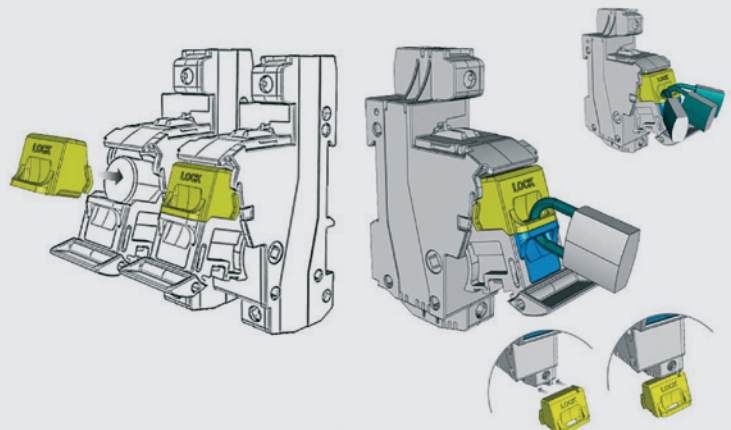


NEW

TECHNICAL

## PMX MODULAR FUSE HOLDERS LOCKING MEANS A PADLOCK

To avoid the operation and connection when the fuse holder is open, put on the accessory **Padlock support** sliding it for the guides, and covering the fuse link zone. (Is possible the use with or without fuse link) Introduce the fuse link trough the simmetrical holes and close it.

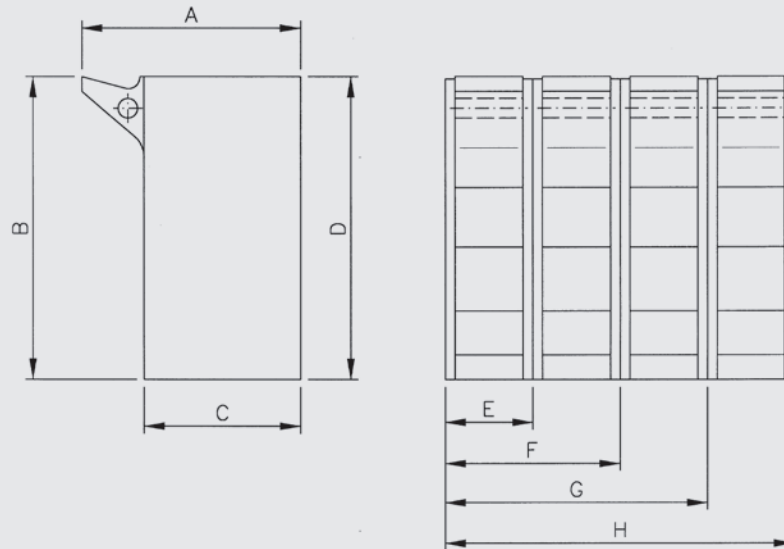


NEW



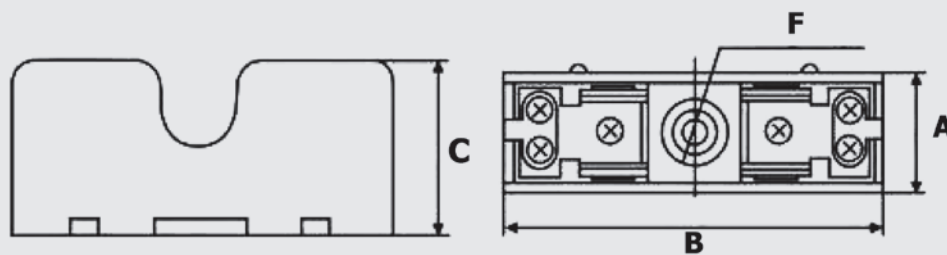
# CYLINDRICAL FUSE HOLDERS

TECHNICAL  
**SC** SCREW FIXING FUSE HOLDERS  
DIMENSIONS



SIZE	A	B	C	D	E	F	G	H
<b>8,5x32</b>	45	61	32	61	18	36	54	72
<b>10x38</b>	50	78	34	75	21	42	63	84
<b>14x51</b>	58	98	42	95	30	60	90	120
<b>22x58</b>	71	108	56	108	36	72	108	144

TECHNICAL  
**BAC** OPEN FUSE HOLDERS  
DIMENSIONS

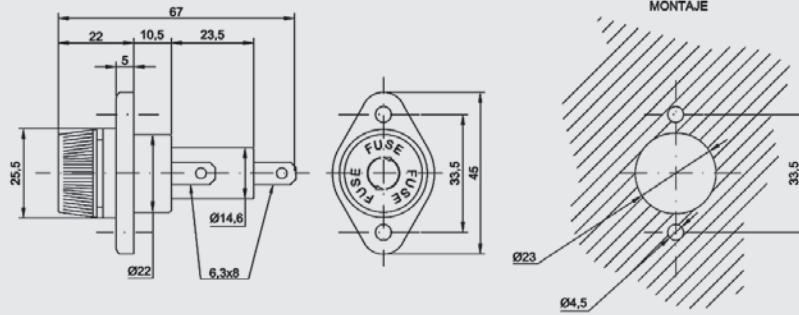


SIZE	A	B	C	ØF
<b>10x38</b>	24	81	35	4
<b>14x51</b>	30	91	37	5
<b>22x58</b>	37	108	48	6

# CYLINDRICAL FUSE HOLDERS

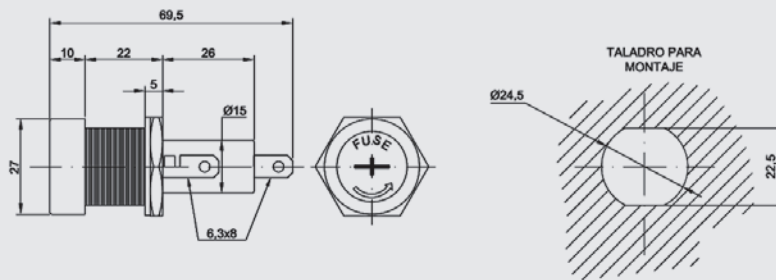
TECHNICAL  
**PMP** PANEL MOUNTING FUSE HOLDERS  
 DIMENSIONS

BAYONET



TECHNICAL  
**PMP** PANEL MOUNTING FUSE HOLDERS  
 DIMENSIONS

SCREW

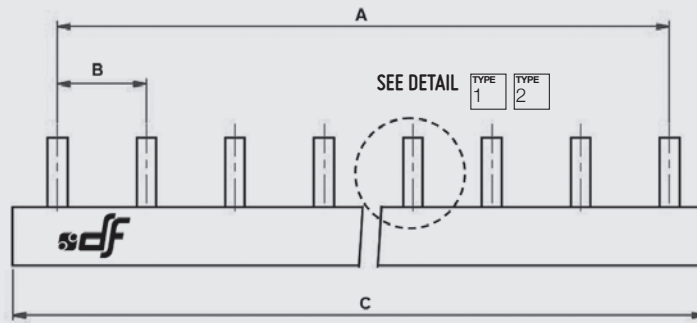


# CYLINDRICAL FUSE HOLDERS

TECHNICAL  
PMF  
PMX  
PMC  
PMCC  
SC

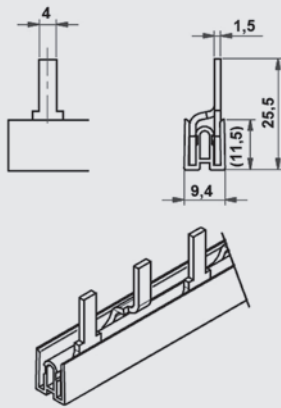
## PHASE BUSBARS DIMENSIONS

NEW

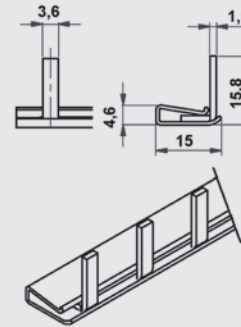


REFERENCE	MODULES	A	B	C	TYPE	END COVER
485600	13	213,6	17,8	229,8 <sup>+2</sup>	2	485605
485601	57	996,8	17,8	1012 <sup>+2</sup>	2	485605
485602	12	195,8	17,8	212 <sup>+2</sup>	1	-

TYPE  
1



TYPE  
2

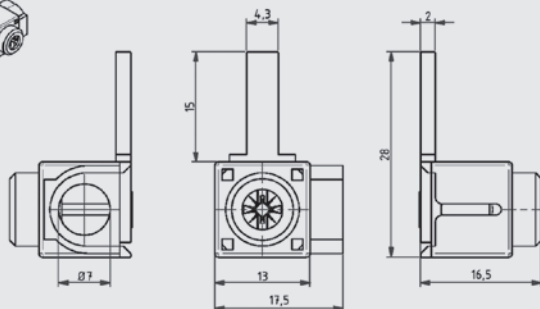


TECHNICAL  
PMF  
PMX  
PMC  
PMCC  
SC

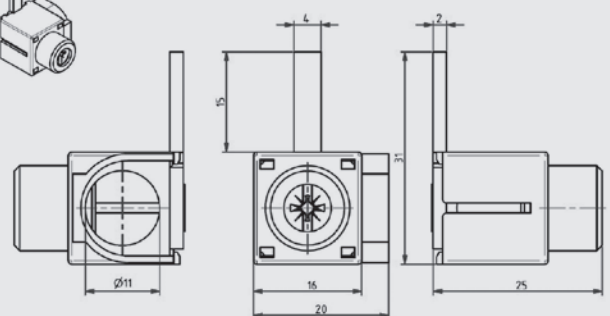
## ACCESSORIES FOR PHASE BUSBARS DIMENSIONS

NEW

485603



485604







#### HEAD OFFICE & FACTORY

SILICI, 67-69  
08940 CORNELLA DE LLOBREGAT  
BARCELONA  
SPAIN  
Tel. +34 93 377 85 85  
Fax +34 93 377 82 82

#### EXPORT SALES

Tel. +34 93 475 08 64  
Fax +34 93 480 07 75  
export@df-sa.es

#### NATIONAL SALES

Tel. 93 475 08 64  
Fax 93 480 07 76  
comercial@df-sa.es

[www.df-sa.es/cylindrical](http://www.df-sa.es/cylindrical)