

PCB TERMINAL BLOCKS

5mm Pitch Pluggable Rising Clamp Terminal with Screw Flanges

- 2-22 pole solid block
- Pluggable male-female connectors
- Screw Flanges
- Horizontal female plug style
- Polarised mouldings
- Moulded in green UL94-V0 flame retardant PA66
- Professional rising clamp terminals
- 0.2 to 4mm² (24 to 12 AWG)
- Anti solder wicking
- Captive screws
- Guided pin alignment
- CE and cULus approved

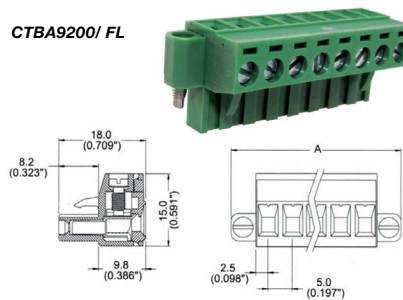
SPECIFICATION

Rating	16A/320V UL=300V, VDE=380V
Dielectric strength	2kV
Insulation resistance	>2MΩ
Working temperature	-40°C to 105°C
Moulding	UL94-V0 flame retardant PA66
Pin/terminal	Tinned phosphor bronze
Rising clamp	Nickel copper flash brass
Screw/torque	M3 steel zinc plated, 0.5Nm
Recommended PCB hole size	ø1.5mm

Female connector

TYPE NO.	POLES	LENGTH	TYPE NO.	POLES	LENGTH
CTBA9200/2FL	2	20mm	CTBA9200/14FL	14	80mm
CTBA9200/3FL	3	25mm	CTBA9200/15FL	15	85mm
CTBA9200/4FL	4	30mm	CTBA9200/16FL	16	90mm
CTBA9200/5FL	5	35mm	CTBA9200/17FL	17	95mm
CTBA9200/6FL	6	40mm	CTBA9200/18FL	18	100mm
CTBA9200/7FL	7	45mm	CTBA9200/19FL	19	105mm
CTBA9200/8FL	8	50mm	CTBA9200/20FL	20	110mm
CTBA9200/9FL	9	55mm	CTBA9200/21FL	21	115mm
CTBA9200/10FL	10	60mm	CTBA9200/22FL	22	120mm
CTBA9200/11FL	11	65mm			
CTBA9200/12FL	12	70mm			
CTBA9200/13FL	13	75mm			

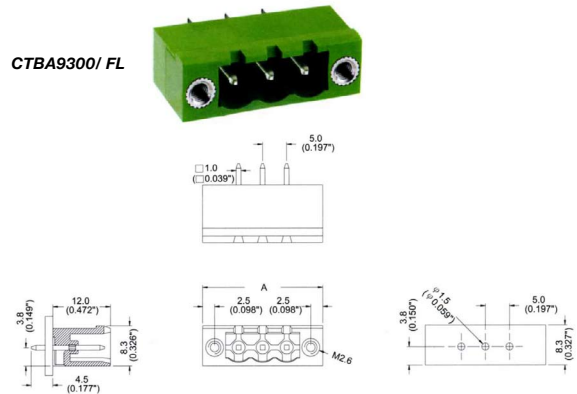
CTBA9200/ FL



PCB mounting male vertical

TYPE NO.	POLES	LENGTH	TYPE NO.	POLES	LENGTH
CTBA9300/2FL	2	20mm	CTBA9300/14FL	14	80mm
CTBA9300/3FL	3	25mm	CTBA9300/15FL	15	85mm
CTBA9300/4FL	4	30mm	CTBA9300/16FL	16	90mm
CTBA9300/5FL	5	35mm	CTBA9300/17FL	17	95mm
CTBA9300/6FL	6	40mm	CTBA9300/18FL	18	100mm
CTBA9300/7FL	7	45mm	CTBA9300/19FL	19	105mm
CTBA9300/8FL	8	50mm	CTBA9300/20FL	20	110mm
CTBA9300/9FL	9	55mm	CTBA9300/21FL	21	115mm
CTBA9300/10FL	10	60mm	CTBA9300/22FL	22	120mm
CTBA9300/11FL	11	65mm			
CTBA9300/12FL	12	70mm			
CTBA9300/13FL	13	75mm			

CTBA9300/ FL



PCB mounting male horizontal

TYPE NO.	POLES	LENGTH	TYPE NO.	POLES	LENGTH
CTBA9350/2FL	2	20mm	CTBA9350/14FL	14	80mm
CTBA9350/3FL	3	25mm	CTBA9350/15FL	15	85mm
CTBA9350/4FL	4	30mm	CTBA9350/16FL	16	90mm
CTBA9350/5FL	5	35mm	CTBA9350/17FL	17	95mm
CTBA9350/6FL	6	40mm	CTBA9350/18FL	18	100mm
CTBA9350/7FL	7	45mm	CTBA9350/19FL	19	105mm
CTBA9350/8FL	8	50mm	CTBA9350/20FL	20	110mm
CTBA9350/9FL	9	55mm	CTBA9350/21FL	21	115mm
CTBA9350/10FL	10	60mm	CTBA9350/22FL	22	120mm
CTBA9350/11FL	11	65mm			
CTBA9350/12FL	12	70mm			
CTBA9350/13FL	13	75mm			

CTBA9350/ FL

