

# PCB TERMINAL BLOCKS

## 5.08mm Pitch Pluggable Rising Clamp Terminal with Screw Flanges

- 2-22 pole solid block
- Pluggable male-female connectors
- Screw Flanges
- Horizontal female plug style
- Polarised mouldings
- Moulded in green UL94-V0 flame retardant PA66

- Professional rising clamp terminals
- 0.2 to 4mm<sup>2</sup> (24 to 12 AWG)
- Anti solder wicking
- Captive screws
- Guided pin alignment
- CE and cULus approved

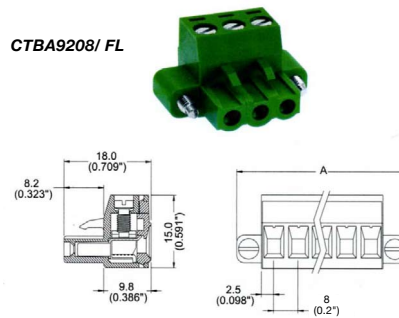
### SPECIFICATION

Rating	16A/380V UL=300V, VDE=380V
Dielectric strength	2kV
Insulation resistance	>2MΩ
Working temperature	-40°C to 105°C
Moulding	UL94-V0 flame retardant PA66
Pin/terminal	Tinned phosphor bronze
Rising clamp	Nickel copper flash brass
Screw/torque	M3 steel zinc plated, 0.5Nm
Recommended PCB hole size	ø1.5mm

### Female connector

TYPE NO.	POLES	LENGTH	TYPE NO.	POLES	LENGTH
CTBA9208/2FL	2	20mm	CTBA9208/14FL	14	80mm
CTBA9208/3FL	3	25mm	CTBA9208/15FL	15	85mm
CTBA9208/4FL	4	30mm	CTBA9208/16FL	16	90mm
CTBA9208/5FL	5	35mm	CTBA9208/17FL	17	95mm
CTBA9208/6FL	6	40mm	CTBA9208/18FL	18	100mm
CTBA9208/7FL	7	45mm	CTBA9208/19FL	19	105mm
CTBA9208/8FL	8	50mm	CTBA9208/20FL	20	110mm
CTBA9208/9FL	9	55mm	CTBA9208/21FL	21	115mm
CTBA9208/10FL	10	60mm	CTBA9208/22FL	22	120mm
CTBA9208/11FL	11	65mm			
CTBA9208/12FL	12	70mm			
CTBA9208/13FL	13	75mm			

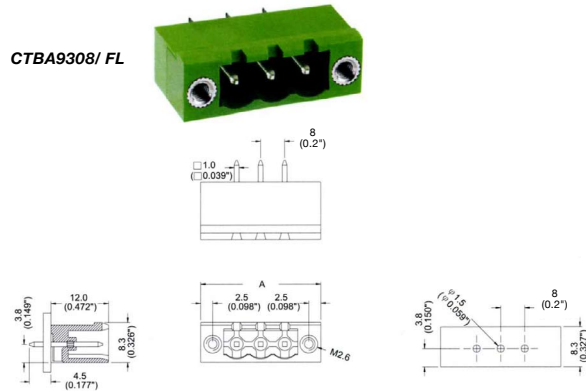
CTBA9208/ FL



### PCB mounting male vertical

TYPE NO.	POLES	LENGTH	TYPE NO.	POLES	LENGTH
CTBA9308/2FL	2	20mm	CTBA9308/14FL	14	80mm
CTBA9308/3FL	3	25mm	CTBA9308/15FL	15	85mm
CTBA9308/4FL	4	30mm	CTBA9308/16FL	16	90mm
CTBA9308/5FL	5	35mm	CTBA9308/17FL	17	95mm
CTBA9308/6FL	6	40mm	CTBA9308/18FL	18	100mm
CTBA9308/7FL	7	45mm	CTBA9308/19FL	19	105mm
CTBA9308/8FL	8	50mm	CTBA9308/20FL	20	110mm
CTBA9308/9FL	9	55mm	CTBA9308/21FL	21	115mm
CTBA9308/10FL	10	60mm	CTBA9308/22FL	22	120mm
CTBA9308/11FL	11	65mm			
CTBA9308/12FL	12	70mm			
CTBA9308/13FL	13	75mm			

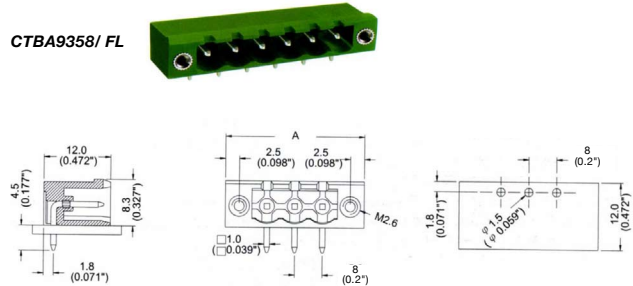
CTBA9308/ FL



### PCB mounting male horizontal

TYPE NO.	POLES	LENGTH	TYPE NO.	POLES	LENGTH
CTBA9358/2FL	2	20mm	CTBA9358/14FL	14	80mm
CTBA9358/3FL	3	25mm	CTBA9358/15FL	15	85mm
CTBA9358/4FL	4	30mm	CTBA9358/16FL	16	90mm
CTBA9358/5FL	5	35mm	CTBA9358/17FL	17	95mm
CTBA9358/6FL	6	40mm	CTBA9358/18FL	18	100mm
CTBA9358/7FL	7	45mm	CTBA9358/19FL	19	105mm
CTBA9358/8FL	8	50mm	CTBA9358/20FL	20	110mm
CTBA9358/9FL	9	55mm	CTBA9358/21FL	21	115mm
CTBA9358/10FL	10	60mm	CTBA9358/22FL	22	120mm
CTBA9358/11FL	11	65mm			
CTBA9358/12FL	12	70mm			
CTBA9358/13FL	13	75mm			

CTBA9358/ FL



+44 (0)1638 716101  
info@camdenboss.com  
www.camdenboss.com

We operate a constant improvement policy,  
our products are subject to change without notice.

**CAMDENBOSS**  
ELECTRONICS & ENCLOSURES

PCB  
TERMINAL  
BLOCKS

INTER-  
CONNECTION

FUSES &  
FUSE-  
HOLDERS

LEDs &  
INDICATORS

MINIATURE  
SWITCHES

LIMIT &  
SAFETY  
SWITCHES

CONTROL  
PRODUCTS

INTERFACE  
MODULES &  
SUPPORTS

RELAY  
BASES

ENCLOSURES

BATTERIES

TRANS-  
FORMERS