

FUSES & FUSEHOLDERS

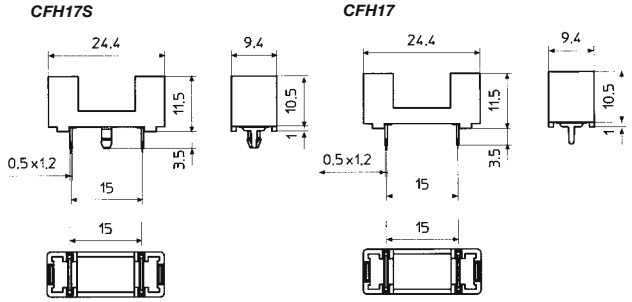
5x20mm Semi-enclosed PCB Mounting 15mm Pitch Fuseholders

- PCB mounting
- Fuse retaining insulation cover
- Enclosed contacts
- 15mm pitch
- Moulded in Green UL94-V0 retardant PA
- IEC 127-6
- approved



TYPE NO.	
CFH17S	with spigot
CFH17	no spigot

SPECIFICATION	
Rating	6.3A/ 250V
Contacts/Resistance	Tinned, nickel plated Brass, <math><5m\Omega</math>
Moulding	UL94-V0 flame retardant PA
Dielectric strength	3kV / 60"
Power dissipation	1.6W
Recommended PCB hole size	1.5mm
Insulation Resistance	100M Ω



Recommended spigot hole 2.6mm

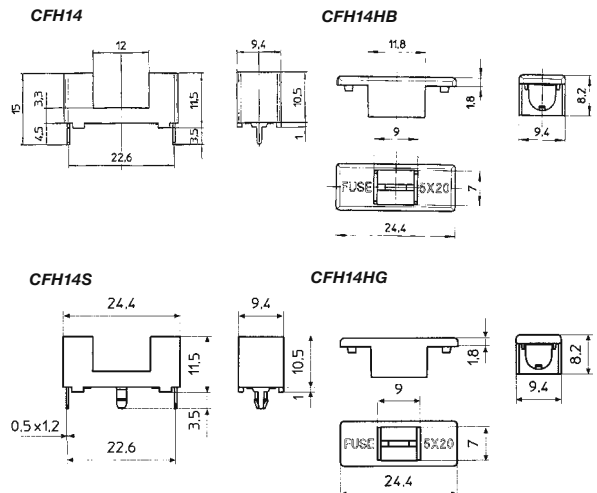
5x20mm Semi-enclosed PCB Mounting 22.6mm Pitch Fuseholders

- PCB mounting
- Fuse retaining insulation cover
- Enclosed contacts
- 22.6mm pitch
- Moulded in UL94-V0 retardant PA
- IEC 127-6
- approved



TYPE NO.	
CFH14	no spigot
CFH14HB	cover for CFH14
CFH14S	with spigot
CFH14HG	cover for CFH14S

SPECIFICATION	
Rating	6.3A/ 250V
Contacts/Resistance	Tinned, nickel plated Brass, <math><5m\Omega</math>
Moulding	Black Green
	UL94-V0 flame retardant PA CFH14 UL94-V0 flame retardant PA CFH14S
Dielectric strength	3kV / 60"
Power dissipation	1.6W
Recommended PCB hole size	1.5mm
Insulation Resistance	100M Ω



Recommended spigot hole 2.6mm

PCB
TERMINAL
BLOCKS

INTER-
CONNECTION

FUSES &
FUSE-
HOLDERS

LEDs &
INDICATORS

MINIATURE
SWITCHES

LIMIT &
SAFETY
SWITCHES

CONTROL
PRODUCTS

INTERFACE
MODULES &
SUPPORTS

RELAY
BASES

ENCLOSURES

BATTERIES

TRANS-
FORMERS