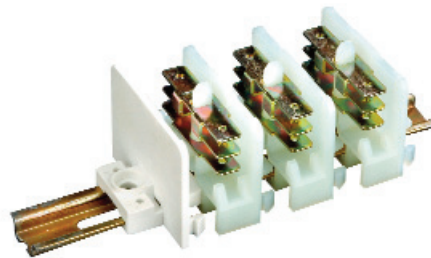





>> PA80 – PA81

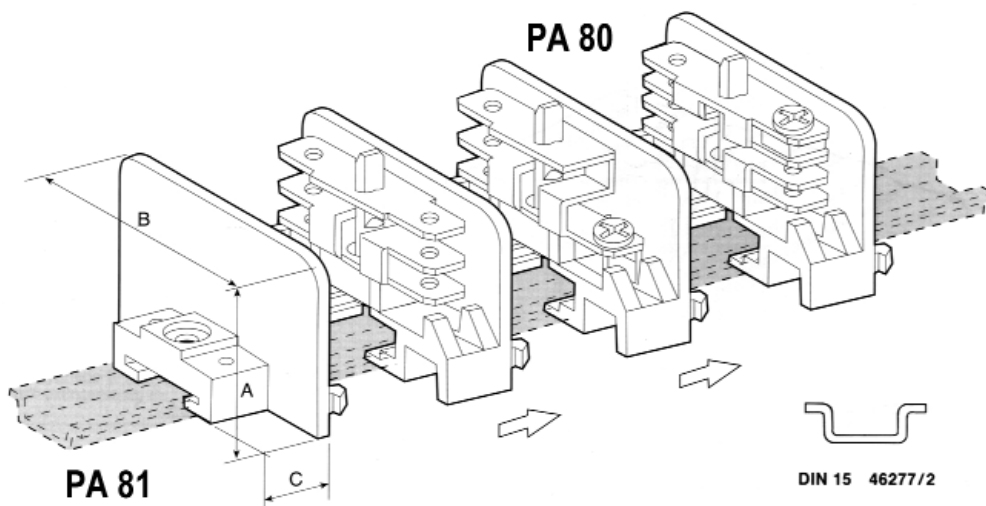
**Interlocking Barrier
Terminal block.
PA 81: end plate for
modular PA 80**



Technical data

	A	B	C
Dimensions mm (inches)	29 (1.14)	38 (1.49)	11 (0.43)
	IEC STANDARDS		AMERICAN STANDARDS
Versions	F/F: with tab-to-tab insert, V/F: with screw-to-tab insert, V/F.F: with screw to tab-tab insert, PA81: side closing module		
Ratings	450V - 20A		600V - 20A
Wire size	2.5 sqmm		22 ÷ 12 AWG (M4 12 lb/in)
Working Temperature	- 5 ÷ 110°C (short time 140°C)		23 ÷ 221°F
Plastic Material	Polyamide, UL94 V2, GWIT 775°C, GWFI 850°C		
Metal Parts	M4 (1.2Nm) zinc plated steel screw; 6.3 x 0.8 zinc plated steel tab insert; Other parts made in zinc plated steel		
Accessories	PA262		
Approvals	File Nr.	Ratings (sqmm/AWG - V - A - T)	Standard References
	CA02.00725	2.5 sqmm - 450V - 20A - 110°C	EN 60998-1; EN 60998-2-1; EN 61210
	40026814	2.5 sqmm - 450V - 20A (screw) / 15A (tab) - 110°C	EN 60998-1; EN60998-2-1; EN 61210 (VDE 0613)
	E76048 vol. 1 sec. 3	22 ÷ 12 AWG - 600V - 20A - 105°C	UL 1059; C22-2 N.158-1987

Dimensional drawing



I dati tecnici possono essere modificati senza preavviso. / The technical data can be subject to changes without notice.

>> PA80 – PA81

Packaging

Type	P-N	Pack.	Dim. Pack. (LxHxP)	Weight (Kg)
PA80 F/F	300770	1000	40x20x40	10
PA80 V/F	300771	1000	40x20x40	10
PA80 VF/F	300772	1000	40x20x40	10
PA81	970445	1000	40x20x40	10
PA262 ACC.	971302÷16	(1)		(2)

(1) On request.

(2) According to (1)



Notes
