

## TWO HAND STATION JSTD25



JSTD25A



JSTD25B



JSTD25D



JSTD25E



JSTD25 F or H

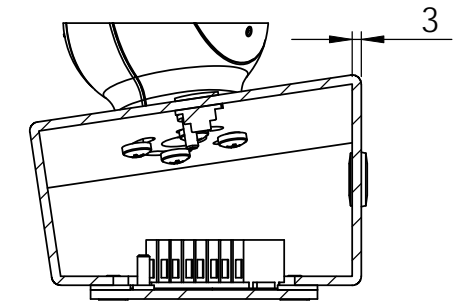
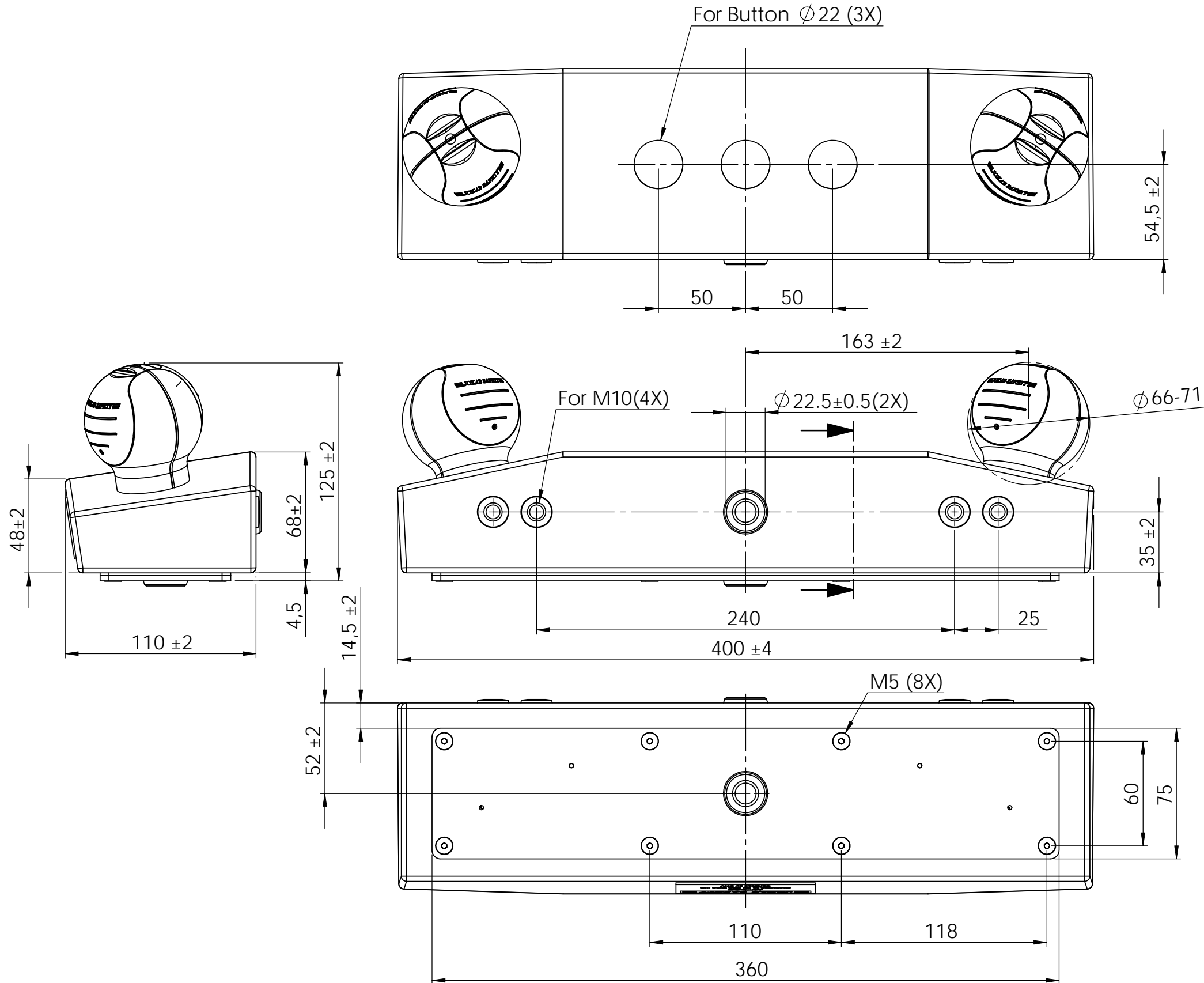


JSTD25G,  
example of customizing



JSTD25P-1  
shown with holder

<b>Technical data – JSTD25</b>		
Manufacturer	JOKAB SAFETY AB, Sweden	
Ordering data	20-007-50	JSTD25A
	20-007-51	JSTD25B, with E-stop
	20-007-53	JSTD25D with ball- & socket mount
	20-007-54	JSTD25E, as D, and with E-stop
	20-007-60	JSTD25F, with 5-pole connector
	20-007-62	JSTD25G (customized)
	20-007-63	JSTD25H, with 8-pole connector
	20-007-65	JSTD25P-1, with internal Eva.
Material	Safeball: Polypropen. Housing: JSTD25 A/B/D/E painted steel, JSTD25 F/G/H/P-1 anodized aluminium. Gaskets: rubber.	
Size (Length x Width x Height)	JSTD25 A/B	400 x 110 x 125 mm
	JSTD25 D/E	400 x 110 x 156 mm
	JSTD25 F/H	356 x 91 x 129 mm
	JSTD25 G	Customized
	JSTD25 P-1	315 x 70 x 160 mm
Weight without cable	JSTD25 A/B/D/E	3,3 - 4,0 kg
	JSTD25 F/H	0,65 kg
	JSTD25 G	Customized
	JSTD25 P-1	0,85 kg
Colour	Black and yellow. JSTD25 F/G/H also anodized aluminium.	
Temperature	0...+55 °C (operation) -20...+70 °C (storage)	
Protection class	IP65	
Connection	JSTD25 A/B/D/E	Screw clamp terminals inside
	JSTD25 F	M12 5-pole male contact
	JSTD25 G	Cable or contact (customized)
	JSTD25 H	M12 8-pole male contact
	JSTD25 P-1	8+1 pole Zylin male contact
	Two-hand (Safeball)	Emergency stop push button
Operating force	Approx. 2 N	40 N
Actuator travel	1.3 ±0.6 mm	5 mm
Mechanical life	1x10 <sup>6</sup> operations	3x10 <sup>5</sup> operations
Max operating frequency	1 Hz	0,3 Hz
Isolation voltage	1000 V rms	690 V rms
Max switching load	30 V 2 A DC resistive load	240 V 3 A AC
Recommended load	24 V 10 mA DC	24 V 20 mA DC
Contact resistance	100 mohm	20 mohm
Contact type	Spring loaded snap-action. 2 NO, 2 NC. True Two-channel.	Direct opening, separated contact blocks. 2 NC.
Safety level (if used with corresponding safety unit from Jokab Safety)	Type IIIC acc. to EN574 (=highest level)	Cat. 4 acc. to EN 954-1 (=highest level)
Accessories (see also product catalog)	JSTS 31	Floor stand with ring for JSTD25 A/B/D/E
	JSM C7	Holder/shelf for JSTD25 F/G/H
	JSM C14	Holder/shelf for JSTD25P-1
	M12-C101	10m cable for JSTD25F
	M12-C103	10m cable for JSTD25H
	JSTK40S	4m spiral cable for JSTD25P-1
	JSTK80S	8m spiral cable for JSTD25P-1
Standards	EN 574, EN ISO 13849-1, EN ISO13850, EN 60947-1, EN 60947-5-1, EN 999, IEC 60529	



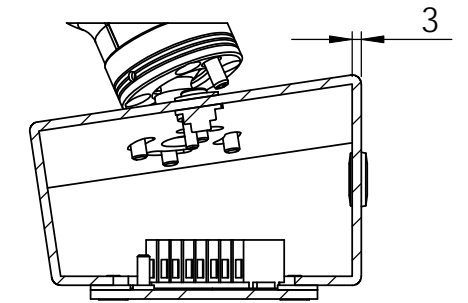
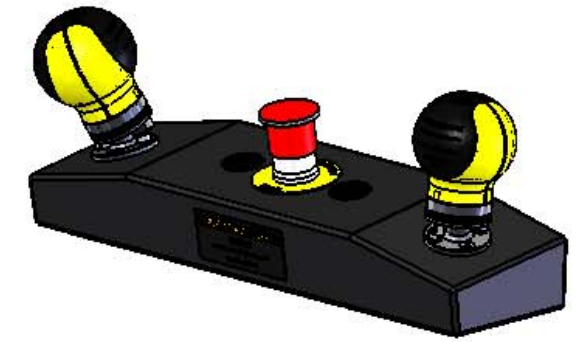
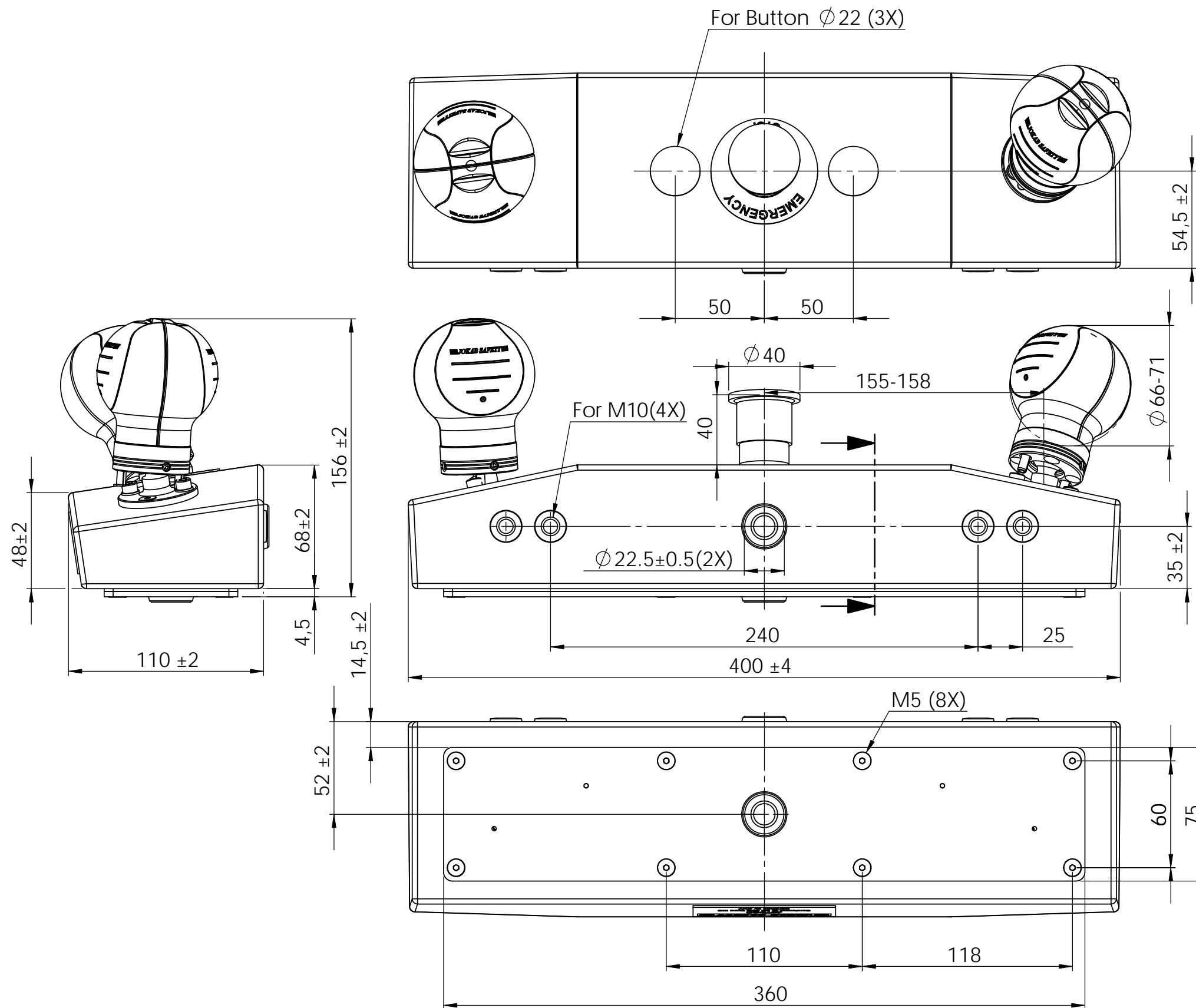
Section showing provision for connection and earth screws.

TOLERANCE UNLESS OTHER STATED:  $\pm 1$ MM

Material	Ytbehandling	Dimension	Färg	Generell tolerans
STEEL	POWDER PAINTED		BLACK	$\pm 1$ mm
Konstruerad av	Granskad av	Godkänd av	Datum	Generell yttjämnhet
MB	-	-	061019	Ra -
Titel/benämning	TWOHAND STATION			
Agare	Ritningsnummer		Utgåva	Blad
<b>JOKAB SAFETY</b>	JSTD25A		-	1/1
COPYRIGHT JOKAB SAFETY AB - 2004				

This document shall not be copied without our written permission, and the contents thereof shall not be disclosed to any third party, nor be use for any authorized purpose.

Subject to change without notice.



Section showing provision for connection and earth screws.

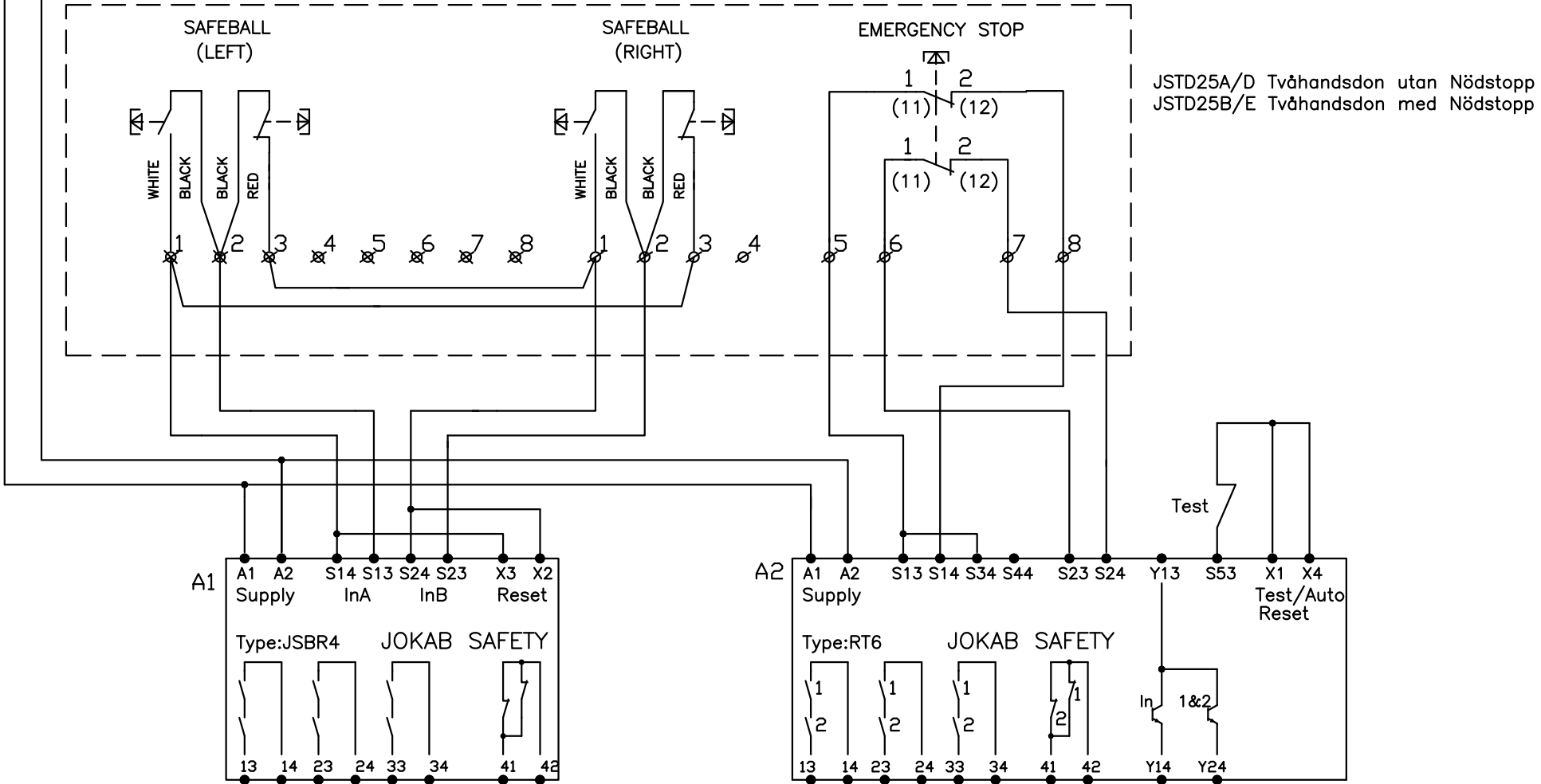
TOLERANCE UNLESS OTHER STATED:  $\pm 1$ MM

Material	Ytbehandling	Dimension	Färg	Generell tolerans
STEEL	POWDER PAINTED		BLACK	$\pm 1$ mm
Konstruerad av	Granskad av	Godkänd av	Datum	Generell yttjämnhet
MB	-	-	061019	Ra -
				Vyplacering
				Format
				Skala
				A3
				1:2.5
Agare	Titel/benämning			
<b>JOKAB SAFETY</b>	<b>TWOHAND STATION</b>			
	Ritningsnummer	Utgåva	Blad	
	JSTD25E	-	1/1	
COPYRIGHT JOKAB SAFETY AB - 2004				

This document shall not be copied without our written permission, and the contents thereof shall not be disclosed to any third party, nor be use for any authorized purpose.

Subject to change without notice.

24VDC/  
24VAC/  
48VAC/  
110VAC/  
230VAC/

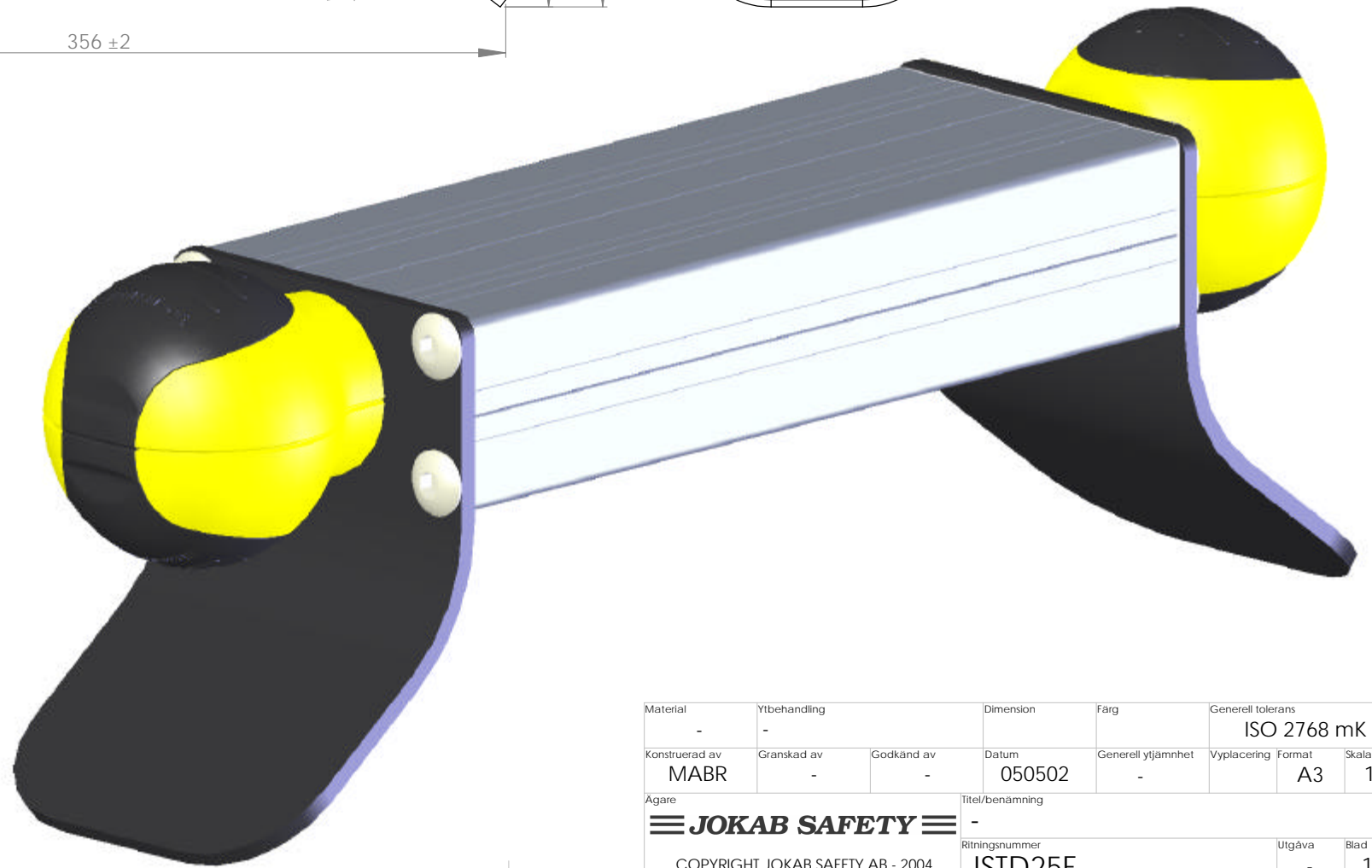
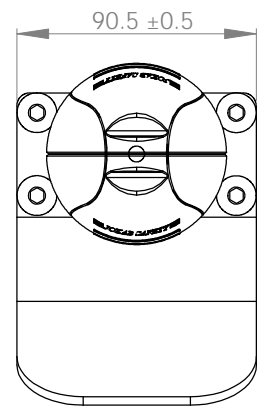
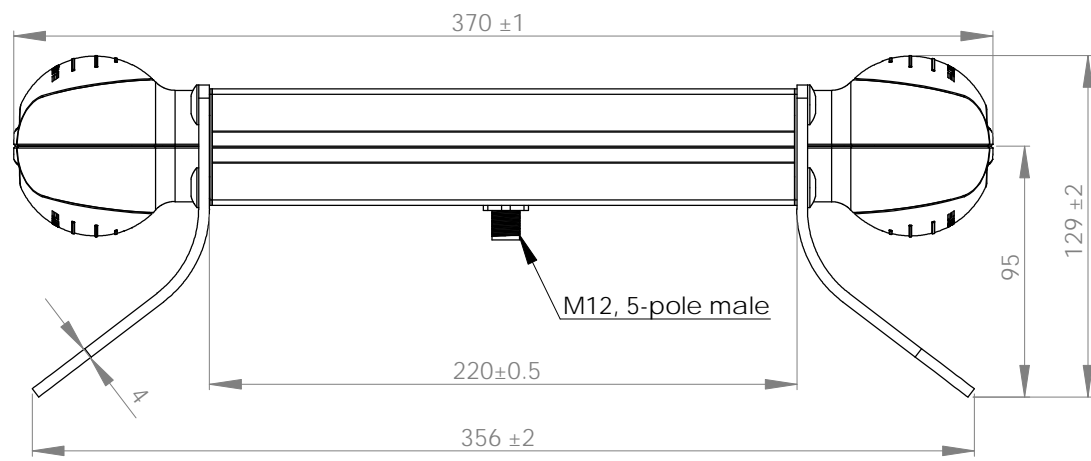


Anmärkning Remark

Inkopplingsexempel Tvåhandsdon Safeball  
JSTD25A, JSTD25B, JSTD25D och JSTD25E till JSBR4  
Nödstopp Till RT6

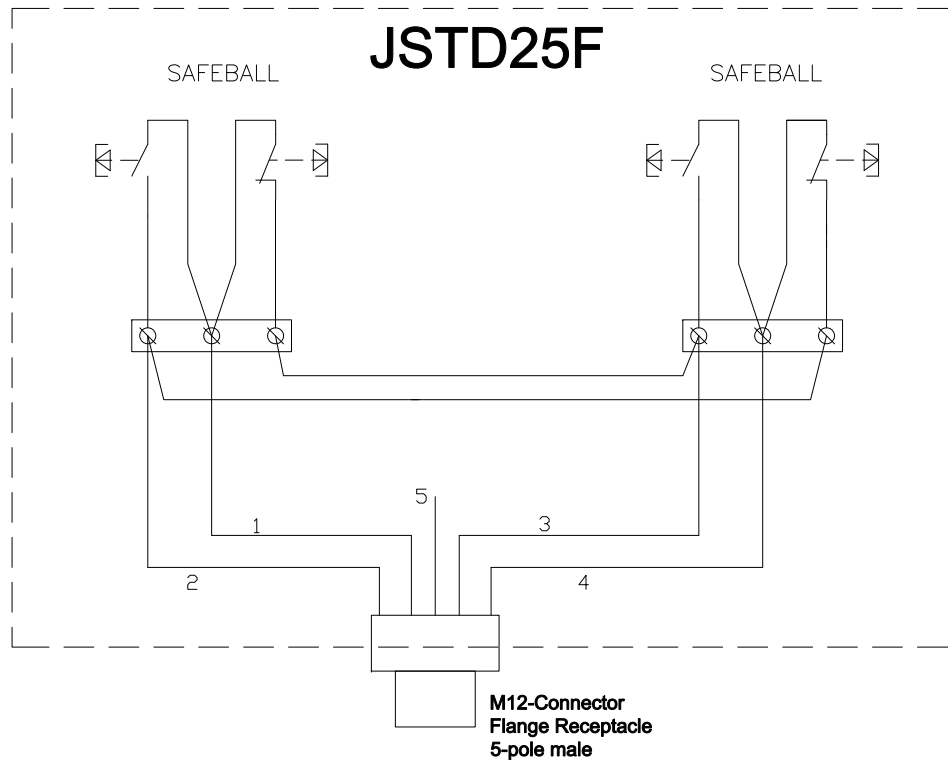
**≡ JOKAB SAFETY ≡**

Konstr Design	Godk	Appr	Datum	Date	Blad	Sheet
JS				010831		
Ritad	Drawn	Sidor	Pages	Ritn nr	Drawing no	Forts
JS				HT5400C		Cont



Material	Ytbehandling		Dimension	Färg	Generell tolerans		
-	-				ISO 2768 mK		
Konstruerad av	Granskad av	Godkänd av	Datum	Generell ytjämnhet	Vyplacering	Format	Skala
MABR	-	-	050502	-		A3	1:1
Ägare	Titel/benämning		-				
≡ <b>JOKAB SAFETY</b> ≡			Ritningsnummer	Utgåva	Blad		
COPYRIGHT JOKAB SAFETY AB - 2004			JSTD25F	-	1/2		

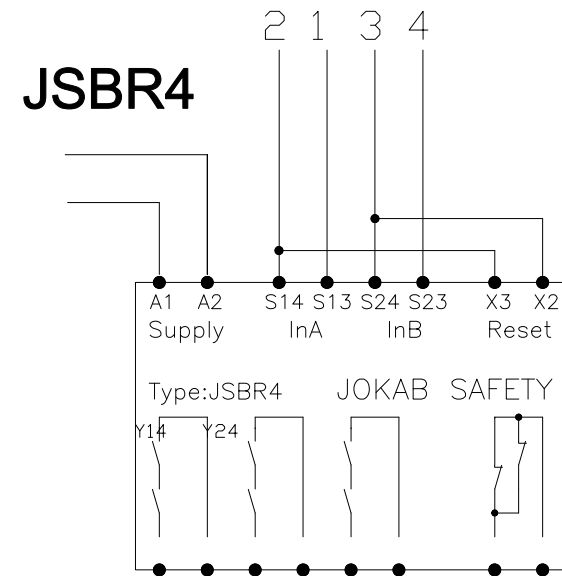
This document shall not be copied without our written permission, and the contents thereof shall not be disclosed to any third party, nor be used for any unauthorized purpose.



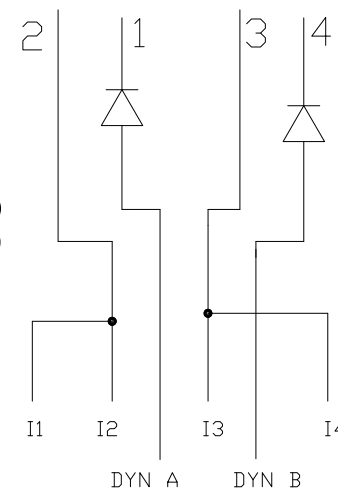
**M12 5 Color-code  
(not always used, verify!)**  
 1 Brun Brown Braun Marron  
 2 Vit White Weiss Blanc  
 3 Blå Blue Blau Bleu  
 4 Svart Black Schwartz Noir  
 5 Not connected

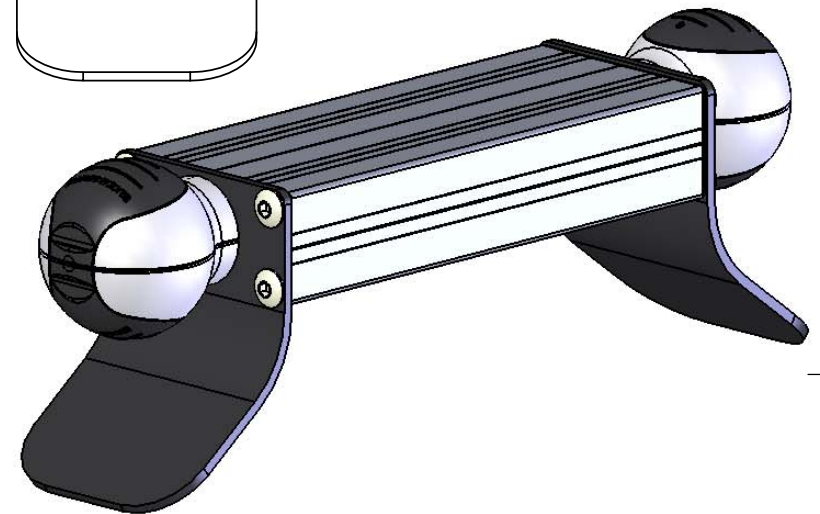
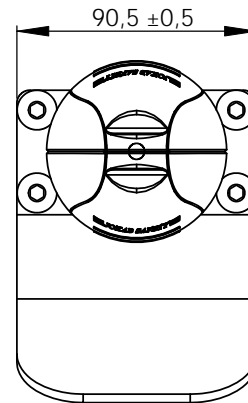
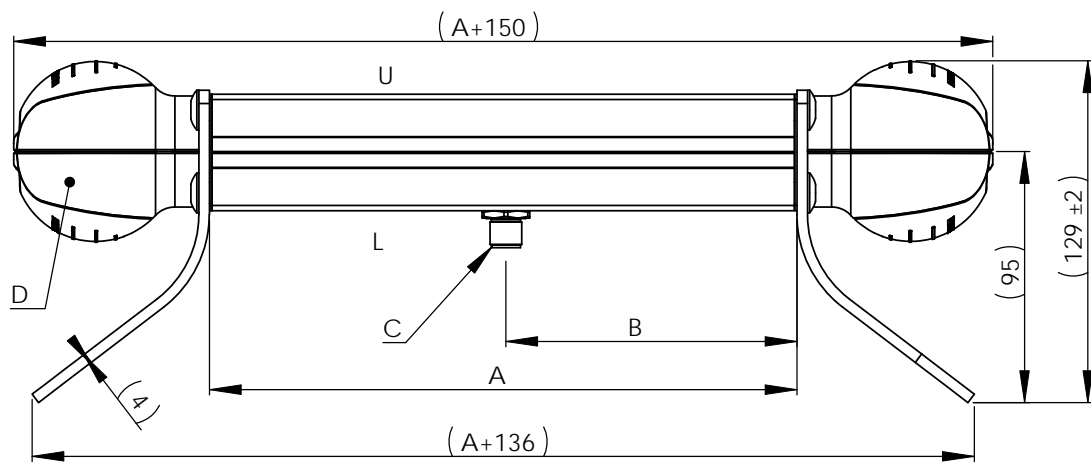
**1 Dyn A out  
 2 Pluto to evaluate A = OK, and test B (two inputs)  
 3 Pluto to evaluate B = OK, and test A (two inputs)  
 4 Dyn B out**

According to standard Pluto Twohand1 block:  
 I1: Right\_NO  
 I2: Left\_NC  
 I3: Right\_NC  
 I4: Left\_NO



**PLUTO**





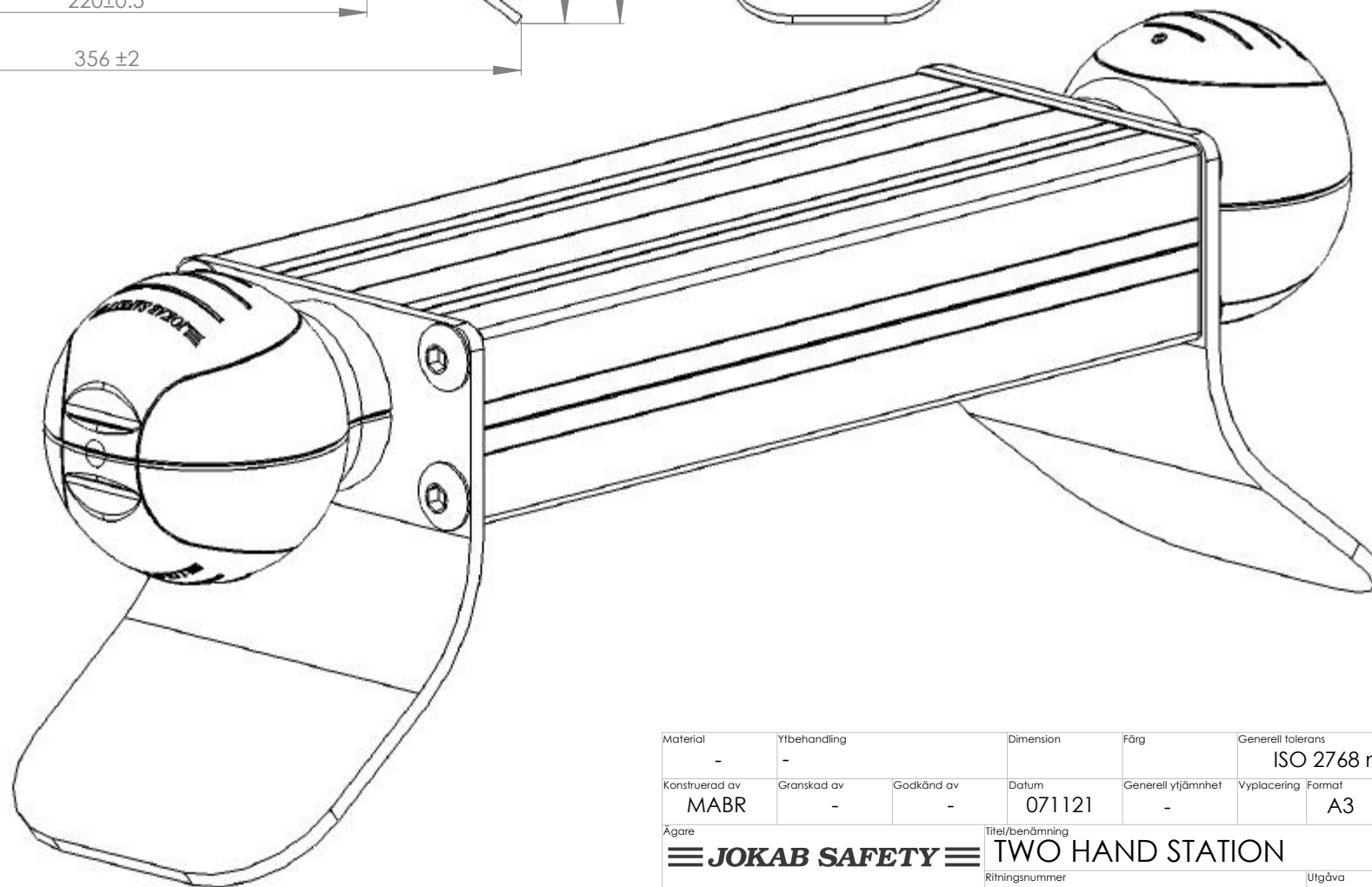
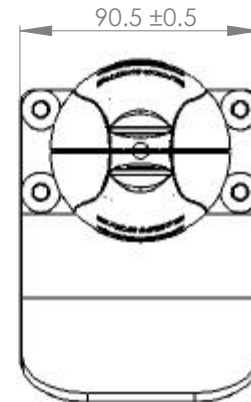
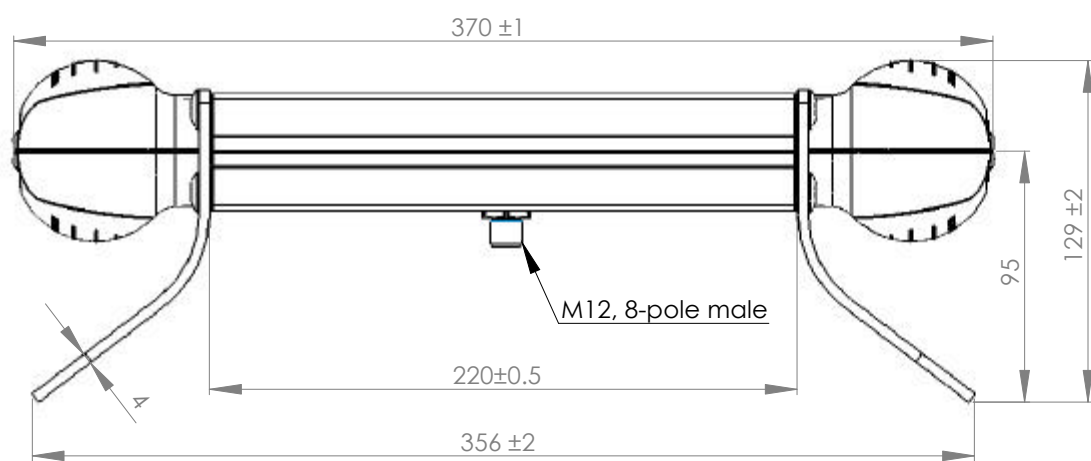
1	State dim A	
2	State dim B	
3	Type of connection	
4	Connector side U or L	
5	Type of Safeball	
6	Other request	

DO NOT FORGET TO ATTACH ELECTRICAL DIAGRAM TO REQUEST/ORDER!

Material	Ytbehandling	Dimension	Färg	Generell tolerans			
-	-			ISO 2768 mK			
Konstruerad av	Granskad av	Godkänd av	Datum	Generell yttjämnhet	Vyplacering	Format	Skala
MABR	-	-	050502	-		A3	1:1
Ägare	Titel/benämning		Ritningsnummer				
<b>JOKAB SAFETY</b>	-		JSTD25G				
COPYRIGHT JOKAB SAFETY AB - 2004			Utgåva	Blad			
			-	1/1			

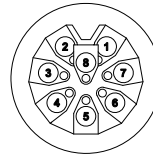
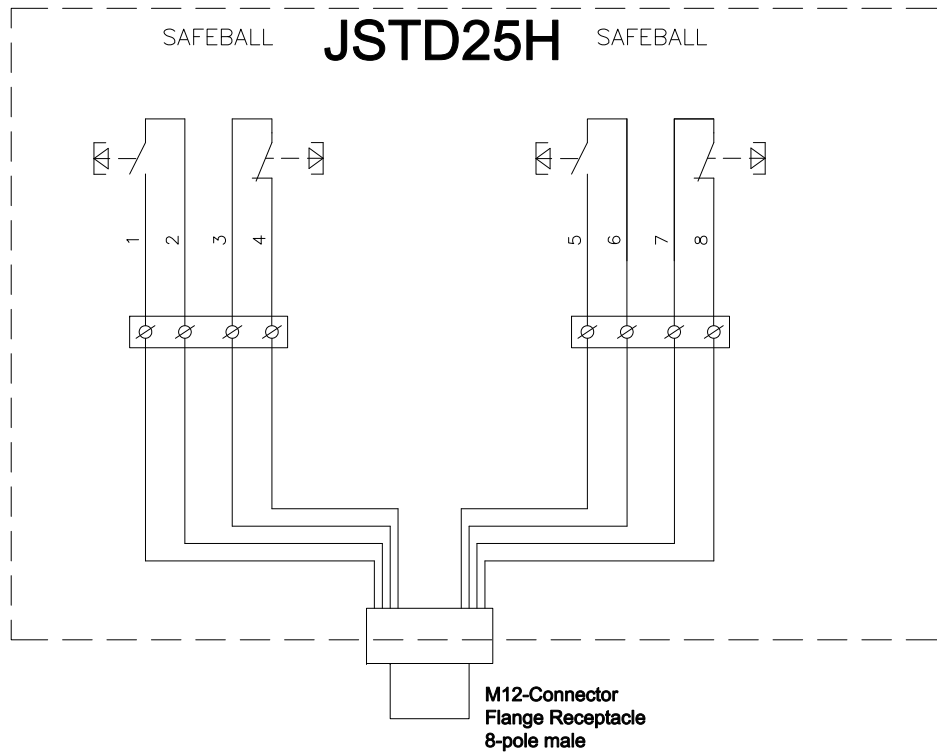
This document shall not be copied without our written permission, and the contents thereof shall not be disclosed to any third party, nor be used for any unauthorized purpose.





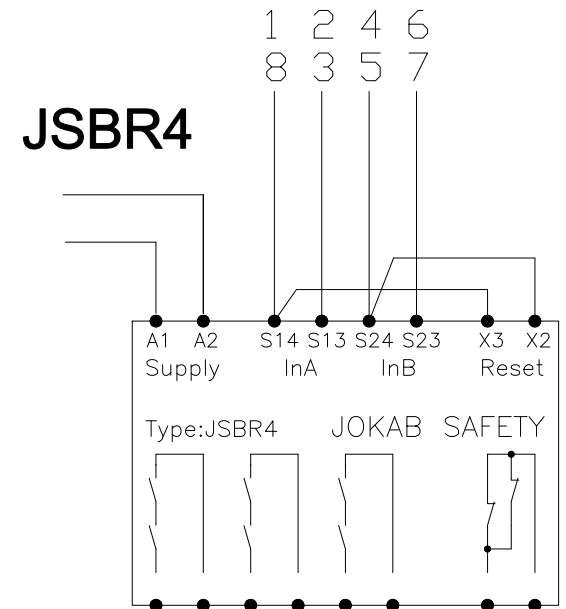
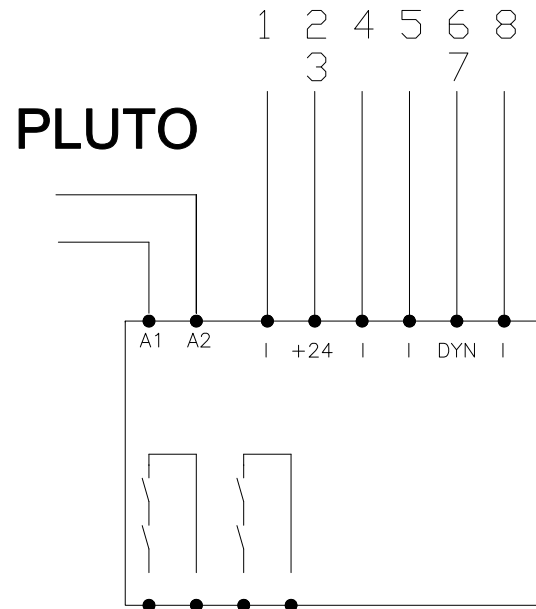
Material	Ytbehandling		Dimension	Färg	Generell tolerans		
-	-				ISO 2768 mK		
Konstruerad av	Granskad av	Godkänd av	Datum	Generell yttjämhet	Vyplacering	Format	Skala
MABR	-	-	071121	-		A3	1:1
Ägare	Titel/benämning						
≡ <b>JOKAB SAFETY</b> ≡	TWO HAND STATION						
Ritningsnummer		Utgåva		Blad			
JSTD25H		-		1/2			
COPYRIGHT JOKAB SAFETY AB - 2004							

This document shall not be copied without our written permission, and the contents thereof shall not be disclosed to any third party, nor be used for any unauthorized purpose.



**M12-C03**  
Contact (plug) for self assembly. Female.  
As seen from cable side (inside).  
Ordered separately.

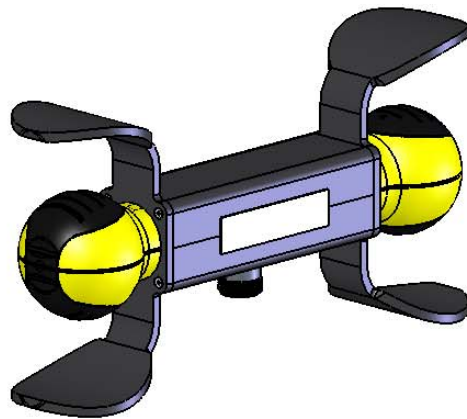
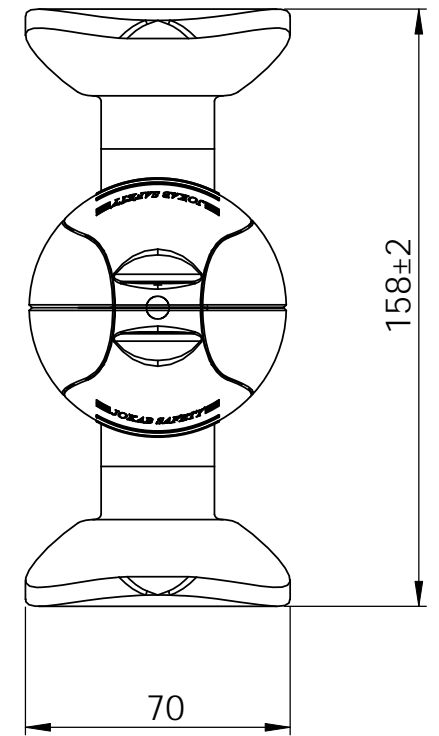
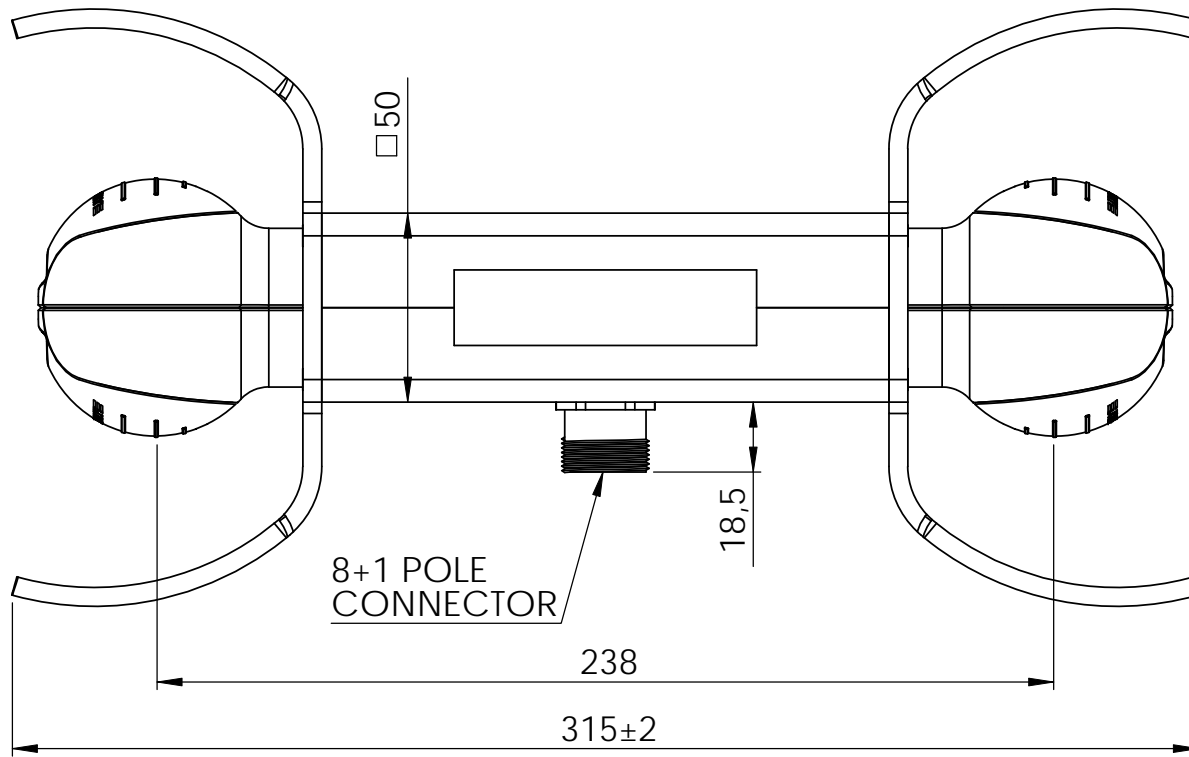
- M12 8 Color-code**  
(not always used, verify!)  
 1 Vit White Weiss Blanc  
 2 Brun Brown Braun Marron  
 3 Grön Green Grün Vert  
 4 Gul Yellow Gelb Jaune  
 5 Grå Grey Grau Gris  
 6 Rosa Pink Rosa Rose  
 7 Blå Blue Blau Bleu  
 8 Röd Red Rot Rouge



Anmärkning Remark  
Anslutning Connection  
JSTD25H

**≡ JOKAB SAFETY ≡**

Konstr Design JS	Godk Appr	Datum Date 080326	Blad Sheet
Ritad Drawn MB	Sidor Pages	Ritn nr Drawing no xxxxx	Forts Cont

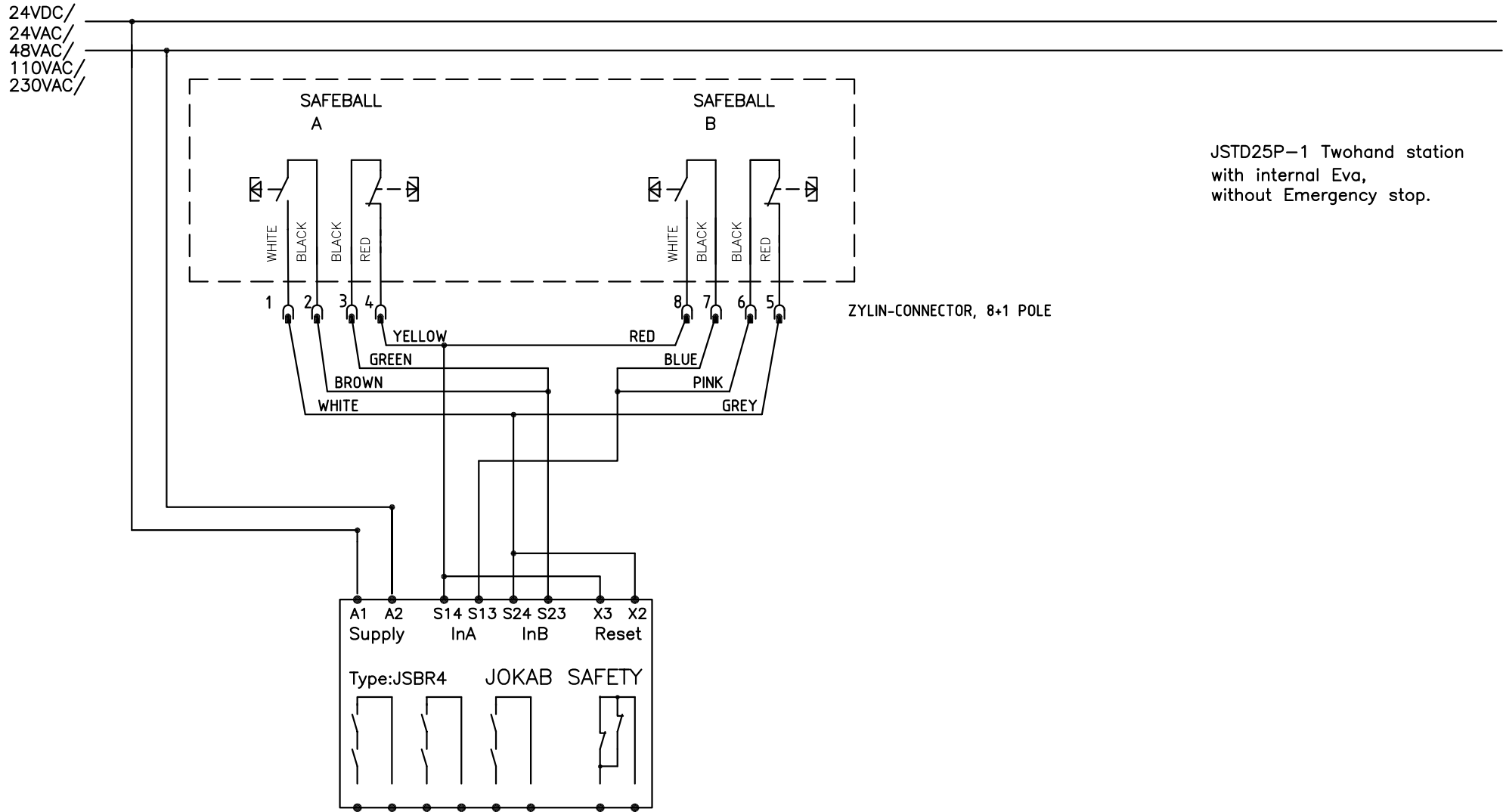


Material	Ytbehandling		Dimension	Färg	Generell tolerans		
Al & PP	-				ISO 2768 mK		
Konstruerad av	Granskad av	Godkänd av	Datum	Generell ytjämfhet	Vyplacering	Format	Skala
MABR	-	XX	070706	Ra 1,6		A4	1:2
Agare			Titel/Benämning				
			20-007-65				
			Ritningsnummer			Utgåva	Blad
			JSTD25P-1 New			1	1/1

This document shall not be copied without our written permission, and the contents thereof shall not be disclosed to any third party, nor be used for any unauthorized purpose.

**≡ JOKAB SAFETY ≡**

COPYRIGHT JOKAB SAFETY AB - 2004



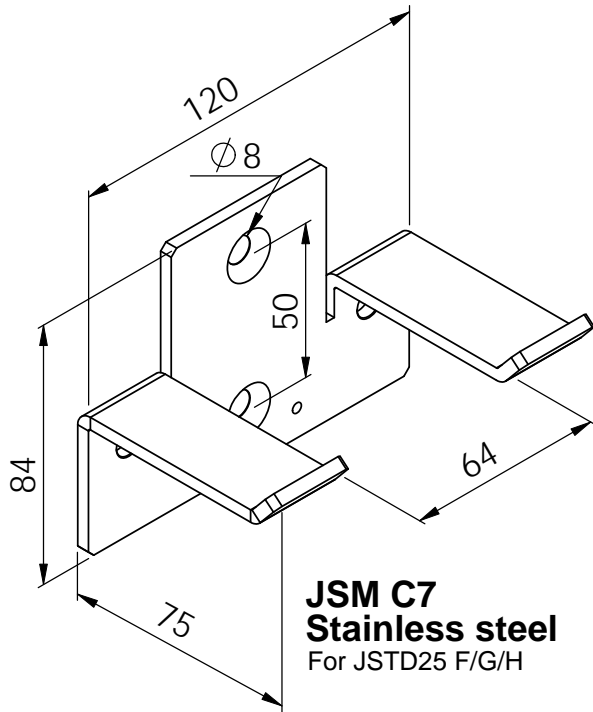
JSTD25P-1 Twohand station  
with internal Eva,  
without Emergency stop.

ZYLIN-CONNECTOR, 8+1 POLE

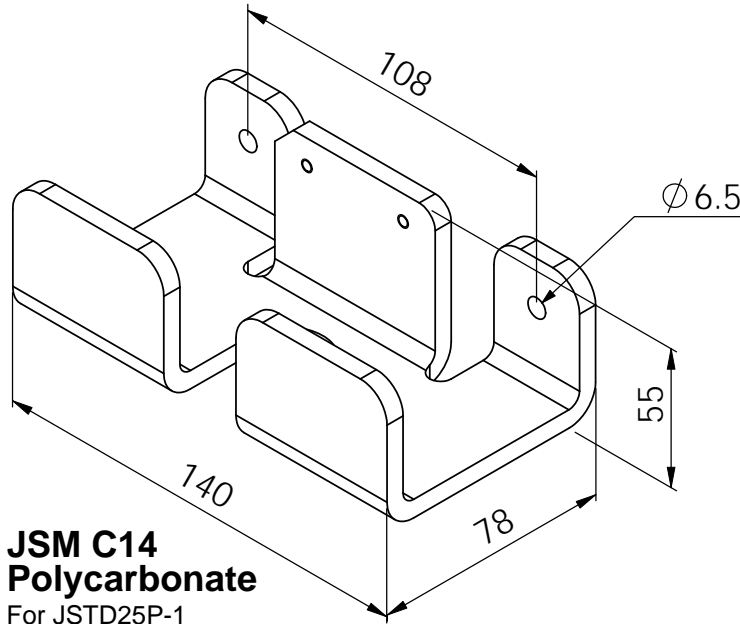
Anmärkning Remark  
Connection Twohanddevice Safeball  
JSTD25P-1to JSBR4



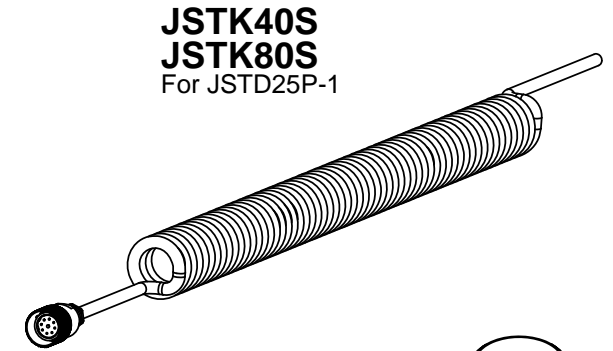
Konstr Design	Godk Appr	Datum Date	Blad Sheet
JS		061024	
Ritad Drawn	Sidor Pages	Ritn nr Drawing no	Forts Cont
MB		HT5400H	



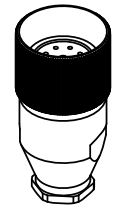
**JSM C7**  
Stainless steel  
For JSTD25 F/G/H



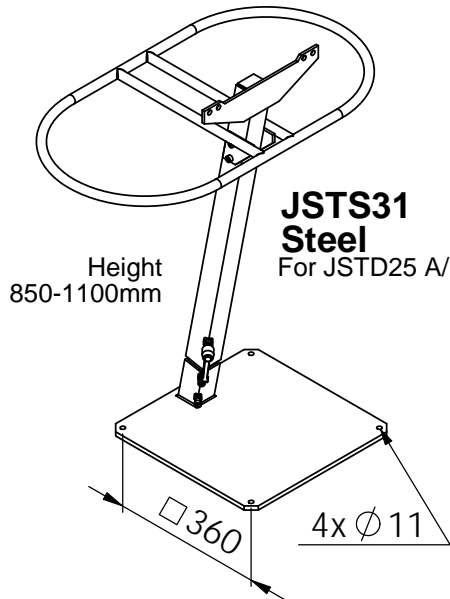
**JSM C14**  
Polycarbonate  
For JSTD25P-1



**JSTK40S**  
**JSTK80S**  
For JSTD25P-1



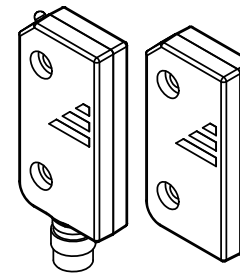
**JSTK0**  
For JSTD25P-1



**JSTS31**  
Steel  
For JSTD25 A/B/D/E



**Smile 10EK**  
Polypropene  
For JSTD25 F/G/H



**Adam & Eva**  
Macromelt  
For JSTD25 F/G/H



**M12-C101 (5-pole)**  
**M12-C103 (8-pole)**  
For JSTD25 F/G/H