

1414 Series Enclosures - NEMA 12, 13

Clamped, Lift Off Cover

Industrial Enclosures



**Inner
Panel
Included**



Junction Boxes

Application

- Designed for use as instrument enclosures, electric, hydraulic or pneumatic control housings, electrical junction boxes or terminal wiring enclosures.
- Provides a degree of protection from falling dirt, dust, oil and water.

Standards

- UL 508 Type 12 and 13
- CSA Type 12 and 13
- **Complies with**
 - NEMA Type 12 and 13
 - JIC EGP-1-1967 unless marked¹
 - IEC 60529, IP54

Construction

- Body formed from 16 gauge or 14 gauge steel. Covers are formed from 14 gauge steel.
- Smooth, continuously welded seams without knockouts, cutouts or holes.
- Welded brackets provide for enclosure mounting.
- Lift off cover is secured with stainless steel clamps and plated steel screws and retained with a plated chain when open.
- Seamless poured-in place gasket.
- Models larger than 4" x 4" include a removable 14 gauge inner panel.
- Internal threaded weld studs are provided for mounting inner panels.
- A bonding stud is provided on the door and a grounding stud is provided on the enclosure.

Finish

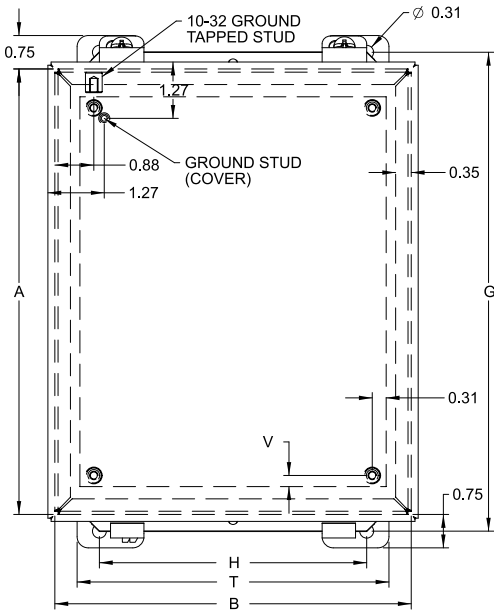
- Cover and enclosure are phosphatized and finished in ANSI 61 gray recoatable powder coating.
- Removable inner panel is finished in white powder coating.

Accessories

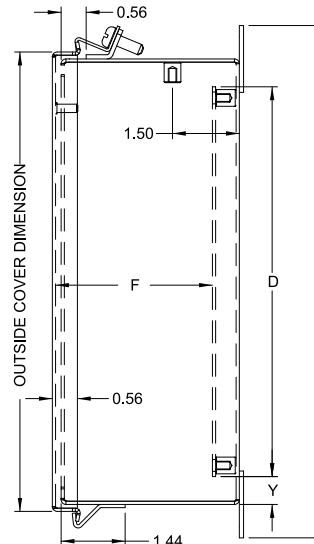
- Additional inner panels...*see page 436*
- Breather kits...*see page 400-401*
- Door clamping hardware
...*see page 429*
- Filter fans...*see page 371-384*
- Heaters...*see page 393-396*
- Louvered ventilating plates
...*see page 402*
- Terminal kit assemblies
...*see page 441*
- Thermostats...*see page 397*
- Swing panel...*see page 440*

1414 Series Enclosures - NEMA 12, 13

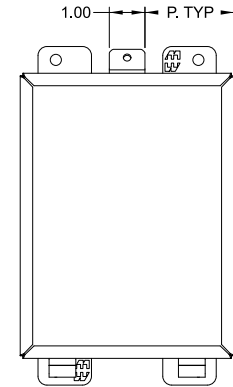
Clamped, Lift Off Cover



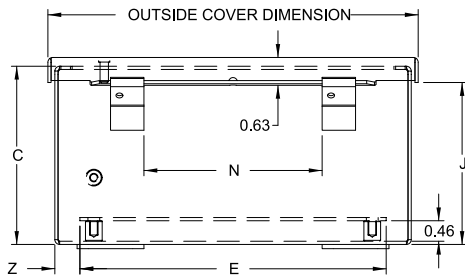
Front View



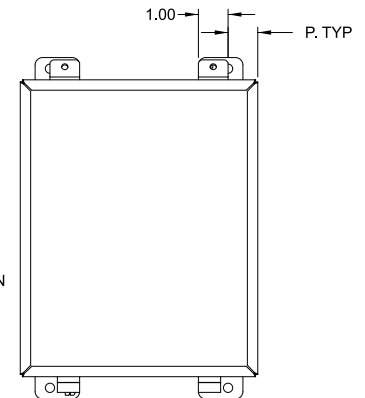
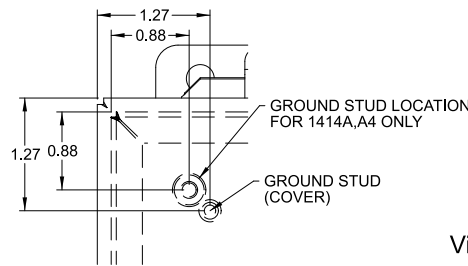
Side View



View showing clamp location when one clamp is used



Bottom View



View showing clamp location when two clamps are used (where B=8 or more)

Part No.	Dimensions			Panel Size		Centers					Cover					Ship Wt. Lbs.			
	A	B	C	D	E	F	G	H	J	L	N	Dimensions	P	T	V		Y	Z	
1414A ¹	4.0	4.0	3.0	—	—	—	4.75	2.00	2.64	5.50	1.31	4.31	4.31	1.50	3.00	—	—	—	2
1414C ¹	6.0	4.0	3.0	4.88	2.88	2.51	6.75	2.00	2.64	7.50	1.31	6.31	4.31	1.50	3.00	0.31	0.56	0.56	3
1414G	8.0	6.0	3.5	6.75	4.88	3.01	8.75	4.00	3.14	9.50	2.88	8.31	6.31	2.50	5.00	0.25	0.63	0.56	7
1414A4 ¹	4.0	4.0	4.0	—	—	—	4.75	2.00	3.64	5.50	1.31	4.31	4.31	1.50	3.00	—	—	—	3
1414C4 ¹	6.0	4.0	4.0	4.88	2.88	3.51	6.75	2.00	3.64	7.50	1.31	6.31	4.31	1.50	3.00	0.31	0.56	0.56	4
1414E	6.0	6.0	4.0	4.88	4.88	3.51	6.75	4.00	3.64	7.50	2.88	6.31	6.31	2.50	5.00	0.31	0.56	0.56	5
1414I	10.0	8.0	4.0	8.75	6.88	3.51	10.75	6.00	3.64	11.50	4.00	10.31	8.31	1.00	7.00	0.25	0.63	0.56	10
1414K	12.0	10.0	5.0	10.75	8.88	4.51	12.75	8.00	4.64	13.50	6.00	12.31	10.31	1.00	9.00	0.25	0.63	0.56	13
1414M6	14.0	12.0	6.0	12.75	10.88	5.51	14.75	10.00	5.64	15.50	8.00	14.31	12.31	1.00	11.00	0.25	0.63	0.56	19
1414O6	16.0	14.0	6.0	14.75	12.88	5.51	16.75	12.00	5.64	17.50	10.00	16.31	14.31	1.00	13.00	0.25	0.63	0.56	23
1414M8	14.0	12.0	8.0	12.75	10.88	7.51	14.75	10.00	7.64	15.50	8.00	14.31	12.31	1.00	11.00	0.25	0.63	0.56	20
1414O10	16.0	14.0	10.0	14.75	12.88	9.51	16.75	12.00	9.64	17.50	10.00	16.31	14.31	1.00	13.00	0.25	0.63	0.56	25

¹ Does not meet JIC requirements