

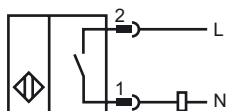
Model Number

40FY36-33

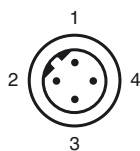
Features

- Hall Effect Sensor
- Door Interrupt Sensor
- Tamper resistant magnetic actuator

Connection



Pinout



Accessories

41FY1

41FY2

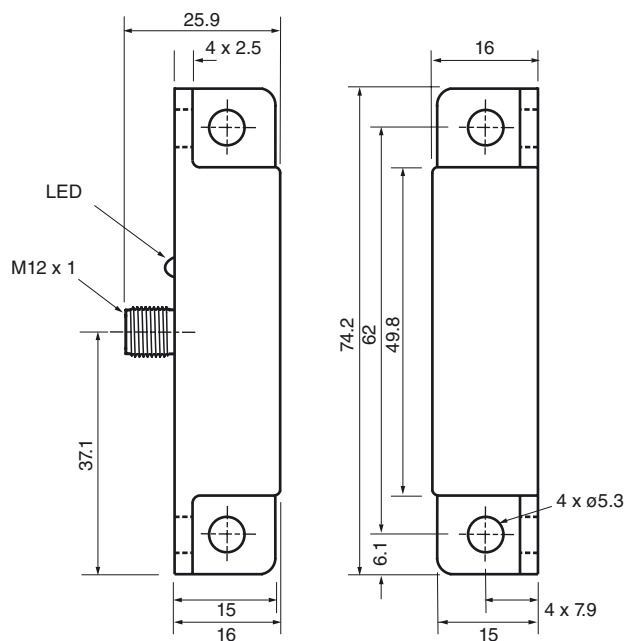
V11B-G-YE2M-PVC

M12 connector/socket, 4-pin, B-coded

V11B-G-YE4M-PVC

M12 connector/socket, 4-pin, B-coded

Dimensions



Technical Data

General specifications

Switching element function	AC	NO
Rated operating distance	s_n	Use either 41FY1 - 6.4 - 15.2 mm or 41FY2 - 7.6 - 19 mm
Installation	not embeddable	
Output polarity	AC	

Nominal ratings

Operating voltage	U_B	93 ... 132 V AC
Hysteresis	H	5 ... 25 %
Voltage drop	U_d	6 V at 500 mA
Momentary current (20 ms, 0.1 Hz)		1.2 A
Repeat accuracy		+/- 3 %
Operating current	I_L	≤ 500 mA
Off-state current	I_r	≤ 1.5 mA

Indicators/operating means

LED indicator	switching state
---------------	-----------------

Electrical specifications

Electrical rating	93 - 132 V AC
-------------------	---------------

Ambient conditions

Ambient temperature	-30 ... 85 °C (-22 ... 185 °F)
---------------------	--------------------------------

Mechanical specifications

Connection type	M12 connector, male, 4-pin, B-coded
Housing material	PBT
Sensing face	PBT
Protection degree	IP67
Note	no connection pin 3 and pin 4