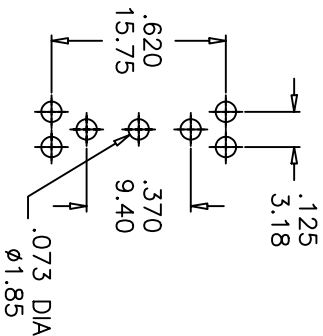


P.C.MOUNTING



Model No.	POS.1	POS.2	POS.3
1MS1	ON	NONE	ON
Term. Comm.	2-3	OPEN	2-1
SCHEMATIC			

SWITCH FUNCTION

RATING :

R : 0.4 Volt-Amps(VA) max. @20V max.(AC or DC)
 Q : 2Amps @250VAC
 5Amps @120 VAC or 28 VDC

德利威電子股份有限公司
DAILYWELL ELECTRONICS CO.,LTD.

SPECIFICATIONS
ELECTRICAL LIFE: 40,000 make-and-break cycles at full load.
CONTACT RESISTANCE: 10m Ω max. initial @ 2-4VDC
 100mA for both silver and gold plated contacts.
INSULATION RESISTANCE: 1,000M Ω min.
DIELECTRIC STRENGTH: 1,000 V RMS@sea level.
OPERATING TEMPERATURE: -30° C to 85° C.

MATERIALS
CASE: Dially phthalate (DAP) (UL94v-0).
ACTUATOR: Brass,chrome plated.
BUSHING: Brass,nickel plated.
HOUSING: Stainless Steel.
TERMINAL/CONTACT:Silver or gold plated.
SWITCH SUPPORT: Brass , Tin plated.

符號	原尺寸	修改後尺寸	變更日期
1	(A)		
2	(B)		
3	(C)		
4	(D)		
5	(E)		

SCALE (比例) : 3 : 2

TOLERANCE (公差) :
 0.00 mm ± 0.25mm
 0.0 mm ± 0.40mm
 ANGULAR : ± 2.54 mm
 FILE NAME : 1MSP0163

TITLE 圖名	Miniature Toggle Switches	SIZE 圖紙	A4
DWG NO. 圖號	1MS1T2B4VS2RE	UNIT 單位	inch mm
REV. 版本	A	DATE 日期	MAR - 26 - 2003
CHECKED BY 審核	Jack	DRAWN BY 製圖	BLUE
SHEET 張數	1 of 1		