

FEATURES

- 12-Bit 250ksps ADCs in MSOP Package
- Single 5V Supply
- Low Supply Current: 850μA (Typ)
- Auto Shutdown Reduces Supply Current to 2μA at 1ksps
- True Differential Inputs
- 1-Channel (LTC1860) or 2-Channel (LTC1861) Versions
- SPI/MICROWIRE™ Compatible Serial I/O
- High Speed Upgrade to LTC1286/LTC1298
- Pin Compatible with 16-Bit LTC1864/LTC1865
- Guaranteed Operation to 125°C (MSOP Package)

APPLICATIONS

- High Speed Data Acquisition
- Portable or Compact Instrumentation
- Low Power Battery-Operated Instrumentation
- Isolated and/or Remote Data Acquisition

DESCRIPTION

The LTC®1860/LTC1861 are 12-bit A/D converters that are offered in MSOP and SO-8 packages and operate on a single 5V supply. At 250ksps, the supply current is only 850μA. The supply current drops at lower speeds because the LTC1860/LTC1861 automatically power down to a typical supply current of 1nA between conversions. These 12-bit switched capacitor successive approximation ADCs include sample-and-holds. The LTC1860 has a differential analog input with an adjustable reference pin. The LTC1861 offers a software-selectable 2-channel MUX and an adjustable reference pin on the MSOP version.

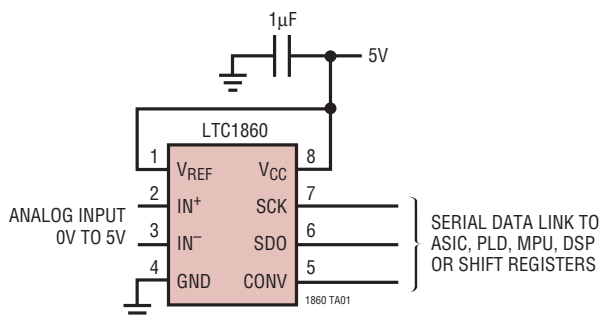
The 3-wire, serial I/O, MSOP or SO-8 package and extremely high sample rate-to-power ratio make these ADCs ideal choices for compact, low power, high speed systems.

These ADCs can be used in ratiometric applications or with external references. The high impedance analog inputs and the ability to operate with reduced spans down to 1V full scale, allow direct connection to signal sources in many applications, eliminating the need for external gain stages.

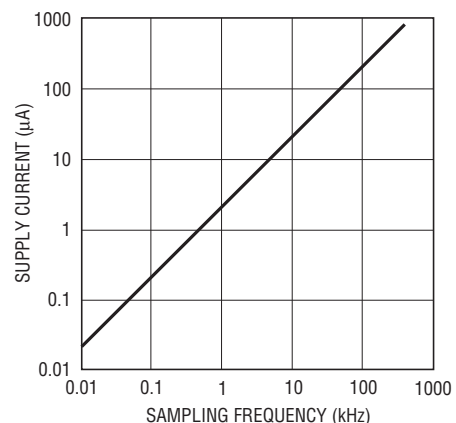
LT, LTC and LTM are registered trademarks of Linear Technology Corporation. All other trademarks are the property of their respective owners.

TYPICAL APPLICATION

Single 5V Supply, 250ksps, 12-Bit Sampling ADC



Supply Current vs Sampling Frequency



1860 TA02

18601fa

LTC1860/LTC1861

ABSOLUTE MAXIMUM RATINGS

(Notes 1, 2)

Supply Voltage (V_{CC})7V
 Ground Voltage Difference
 AGND, DGND LTC1861 MSOP Package..... $\pm 0.3V$
 Analog Input($GND - 0.3V$) to ($V_{CC} + 0.3V$)
 Digital Input ($GND - 0.3V$) to 7V
 Digital Output ($GND - 0.3V$) to ($V_{CC} + 0.3V$)

Power Dissipation 400mW
 Operating Temperature Range
 LTC1860C/LTC1861C0°C to 70°C
 LTC1860I/LTC1861I -40°C to 85°C
 LTC1860H/LTC1861H.....-40°C to 125°C
 Storage Temperature Range.....-65°C to 150°C
 Lead Temperature (Soldering, 10 sec)300°C

PIN CONFIGURATION

| | |
|---|---|
| <p>LTC1860</p> <p>TOP VIEW</p> <p>MS8 PACKAGE 8-LEAD PLASTIC MSOP $T_{JMAX} = 150^{\circ}C, \theta_{JA} = 210^{\circ}C/W$</p> | <p>LTC1861</p> <p>TOP VIEW</p> <p>MS PACKAGE 10-LEAD PLASTIC MSOP $T_{JMAX} = 150^{\circ}C, \theta_{JA} = 210^{\circ}C/W$</p> |
| <p>LTC1860</p> <p>TOP VIEW</p> <p>S8 PACKAGE 8-LEAD PLASTIC SO $T_{JMAX} = 150^{\circ}C, \theta_{JA} = 175^{\circ}C/W$</p> | <p>LTC1861</p> <p>TOP VIEW</p> <p>S8 PACKAGE 8-LEAD PLASTIC SO $T_{JMAX} = 150^{\circ}C, \theta_{JA} = 175^{\circ}C/W$</p> |

ORDER INFORMATION

| LEAD FREE FINISH | TAPE AND REEL | PART MARKING | PACKAGE DESCRIPTION | TEMPERATURE RANGE |
|--------------------------|----------------------|---------------------|----------------------------|--------------------------|
| LTC1860CMS8#PBF | LTC1860CMS8#TRPBF | LTWR | 8-Lead Plastic MSOP | 0°C to 70°C |
| LTC1860IMS8#PBF | LTC1860IMS8#PBF | LTWS | 8-Lead Plastic MSOP | -40°C to 85°C |
| LTC1860HMS8#PBF | LTC1860HMS8#PBF | LTWS | 8-Lead Plastic MSOP | -40°C to 125°C |
| LTC1860CS8#PBF | LTC1860CS8#PBF | 1860 | 8-Lead Plastic SO | 0°C to 70°C |
| LTC1860IS8#PBF | LTC1860IS8#PBF | 1860I | 8-Lead Plastic SO | -40°C to 85°C |
| LTC1861CMS#PBF | LTC1861CMS#PBF | LTWT | 10-Lead Plastic MSOP | 0°C to 70°C |
| LTC1861IMS#PBF | LTC1861IMS#PBF | LTWU | 10-Lead Plastic MSOP | -40°C to 85°C |
| LTC1861HMS#PBF | LTC1861HMS#PBF | LTWU | 10-Lead Plastic MSOP | -40°C to 125°C |
| LTC1861CS8#PBF | LTC1861CS8#PBF | 1861 | 8-Lead Plastic SO | 0°C to 70°C |
| LTC1861IS8#PBF | LTC1861IS8#PBF | 1861I | 8-Lead Plastic SO | -40°C to 85°C |
| LEAD BASED FINISH | TAPE AND REEL | PART MARKING | PACKAGE DESCRIPTION | TEMPERATURE RANGE |
| LTC1860CMS8 | LTC1860CMS8 | LTWR | 8-Lead Plastic MSOP | 0°C to 70°C |
| LTC1860IMS8 | LTC1860IMS8 | LTWS | 8-Lead Plastic MSOP | -40°C to 85°C |
| LTC1860HMS8 | LTC1860HMS8 | LTWS | 8-Lead Plastic MSOP | -40°C to 125°C |
| LTC1860CS8 | LTC1860CS8 | 1860 | 8-Lead Plastic SO | 0°C to 70°C |
| LTC1860IS8 | LTC1860IS8 | 1860I | 8-Lead Plastic SO | -40°C to 85°C |
| LTC1861CMS | LTC1861CMS | LTWT | 10-Lead Plastic MSOP | 0°C to 70°C |
| LTC1861IMS | LTC1861IMS | LTWU | 10-Lead Plastic MSOP | -40°C to 85°C |
| LTC1861HMS | LTC1861HMS | LTWU | 10-Lead Plastic MSOP | -40°C to 125°C |
| LTC1861CS8 | LTC1861CS8 | 1861 | 8-Lead Plastic SO | 0°C to 70°C |
| LTC1861IS8 | LTC1861IS8 | 1861I | 8-Lead Plastic SO | -40°C to 85°C |

Consult LTC Marketing for parts specified with wider operating temperature ranges. *The temperature grade is identified by a label on the shipping container.

For more information on lead free part marking, go to: <http://www.linear.com/leadfree/>

For more information on tape and reel specifications, go to: <http://www.linear.com/tapeandreel/>

CONVERTER AND MULTIPLEXER CHARACTERISTICS

The ● denotes specifications which apply over the full operating temperature range, otherwise specifications are $T_A = 25^\circ\text{C}$. $V_{CC} = 5\text{V}$, $V_{REF} = 5\text{V}$, $f_{SCK} = f_{SCK(\text{MAX})}$ as defined in Recommended Operating Conditions, unless otherwise noted.

| SYMBOL | CONDITIONS | MIN | TYP | MAX | UNITS |
|----------------------------------|---|-----|-------|-----------------|--------------------|
| Resolution | ● | 12 | | | Bits |
| No Missing Codes Resolution | ● | 12 | | | Bits |
| INL | (Note 3) ● | | | ±1 | LSB |
| Transition Noise | | | 0.07 | | LSB _{RMS} |
| Gain Error | ● | | | ±20 | mV |
| Offset Error | LTC1860 SO-8 and MSOP, LTC1861 MSOP LTC1861 SO-8 | ● | ±2 | ±5 | mV |
| | | | ±3 | ±7 | |
| Input Differential Voltage Range | $V_{IN} = IN^+ - IN^-$ ● | 0 | | V_{REF} | V |
| Absolute Input Range | IN ⁺ Input IN ⁻ Input | | -0.05 | $V_{CC} + 0.05$ | V |
| | | | -0.05 | $V_{CC}/2$ | |
| V_{REF} Input Range | LTC1860 SO-8 and MSOP, LTC1861 MSOP | 1 | | V_{CC} | V |
| Analog Input Leakage Current | (Note 4) ● | | | ±1 | μA |
| C_{IN} Input Capacitance | In Sample Mode During Conversion | | 12 | | pF |
| | | | 5 | | |

DYNAMIC ACCURACY

$T_A = 25^\circ\text{C}$. $V_{CC} = 5\text{V}$, $f_{\text{SAMPLE}} = 250\text{kHz}$, unless otherwise specified.

| SYMBOL | PARAMETER | CONDITIONS | MIN | TYP | MAX | UNITS |
|-----------|--|------------------------------|-----|-----|-----|-------|
| SNR | Signal-to-Noise Ratio | | | 72 | | dB |
| S/(N + D) | Signal-to-Noise Plus Distortion Ratio | 100kHz Input Signal | | 71 | | dB |
| THD | Total Harmonic Distortion Up to 5th Harmonic | 100kHz Input Signal | | 77 | | dB |
| | Full Power Bandwidth | | | 20 | | MHz |
| | Full Linear Bandwidth | $S/(N + D) \geq 68\text{dB}$ | | 125 | | kHz |

DIGITAL AND DC ELECTRICAL CHARACTERISTICS The ● denotes specifications which apply over the full operating temperature range, otherwise specifications are $T_A = 25^\circ\text{C}$. $V_{CC} = 5\text{V}$, $V_{REF} = 5\text{V}$, unless otherwise noted.

| SYMBOL | PARAMETER | CONDITIONS | MIN | TYP | MAX | UNITS |
|----------|---------------------------|--|-----|------|------|-------|
| V_{IH} | High Level Input Voltage | $V_{CC} = 5.25\text{V}$ ● | 2.4 | | | V |
| V_{IL} | Low Level Input Voltage | $V_{CC} = 4.75\text{V}$ ● | | | 0.8 | V |
| I_{IH} | High Level Input Current | $V_{IN} = V_{CC}$ ● | | | 2.5 | μA |
| I_{IL} | Low Level Input Current | $V_{IN} = 0\text{V}$ ● | | | -2.5 | μA |
| V_{OH} | High Level Output Voltage | $V_{CC} = 4.75\text{V}$, $I_O = 10\mu\text{A}$ ● | 4.5 | 4.74 | | V |
| | | $V_{CC} = 4.75\text{V}$, $I_O = 360\mu\text{A}$ ● | 2.4 | 4.72 | | V |
| V_{OL} | Low Level Output Voltage | $V_{CC} = 4.75\text{V}$, $I_O = 1.6\text{mA}$ ● | | | 0.4 | V |

DIGITAL AND DC ELECTRICAL CHARACTERISTICS

The ● denotes specifications which apply over the full operating temperature range, otherwise specifications are $T_A = 25^\circ\text{C}$. $V_{CC} = 5\text{V}$, $V_{REF} = 5\text{V}$, unless otherwise noted.

| SYMBOL | PARAMETER | CONDITIONS | MIN | TYP | MAX | UNITS |
|--------------|---|---|-----|------------------------|---------------|--------------------------------------|
| I_{OZ} | Hi-Z Output Leakage | CONV = V_{CC} | | | ±3 | μA |
| I_{SOURCE} | Output Source Current | $V_{OUT} = 0\text{V}$ | | -25 | | mA |
| I_{SINK} | Output Sink Current | $V_{OUT} = V_{CC}$ | | 20 | | mA |
| I_{REF} | Reference Current (LTC1860 SO-8, MSOP and LTC1861 MSOP) | CONV = V_{CC} $f_{SMPL} = f_{SMPL(MAX)}$ | | 0.001 0.05 | 3 0.1 | μA mA |
| I_{CC} | Supply Current | CONV = V_{CC} After Conversion CONV = V_{CC} After Conversion, H-Grade $f_{SMPL} = f_{SMPL(MAX)}$ | | 0.001 0.001 0.85 | 3 5 1.3 | μA μA mA |
| P_D | Power Dissipation | $f_{SMPL} = f_{SMPL(MAX)}$ | | 1.25 | | mW |

RECOMMENDED OPERATING CONDITIONS

The ● denotes specifications which apply over the full operating temperature range, otherwise specifications are $T_A = 25^\circ\text{C}$.

| SYMBOL | PARAMETER | CONDITIONS | MIN | TYP | MAX | UNITS |
|--------------|---|--------------------------------------|---------------------------|----------|------------|---------------|
| V_{CC} | Supply Voltage | | 4.75 | | 5.25 | V |
| f_{SCK} | Clock Frequency | H-Grade | | | 20 16.7 | MHz MHz |
| t_{CYC} | Total Cycle Time | | $12 \cdot SCK + t_{CONV}$ | | | μs |
| t_{SMPL} | Analog Input Sampling Time | LTC1860 (Note 5) LTC1861 (Note 5) | 12 10 | | | SCK SCK |
| t_{suCONV} | Setup Time CONV↓ Before First SCK↑, (See Figure 1) | H-Grade | 60 65 | 30 30 | | ns ns |
| t_{hDI} | Holdtime SDI After SCK↑ | LTC1861 | 15 | | | ns |
| t_{suDI} | Setup Time SDI Stable Before SCK↑ | LTC1861 | 15 | | | ns |
| t_{WHCLK} | SCK High Time | $f_{SCK} = f_{SCK(MAX)}$ | 40% | | | $1/f_{SCK}$ |
| t_{WLCLK} | SCK Low Time | $f_{SCK} = f_{SCK(MAX)}$ | 40% | | | $1/f_{SCK}$ |
| t_{WHCONV} | CONV High Time Between Data Transfer Cycles | (Note 5) | t_{CONV} | | | μs |
| t_{WLCONV} | CONV Low Time During Data Transfer | (Note 5) | 12 | | | SCK |
| t_{hCONV} | Hold Time CONV Low After Last SCK↑ | | | 13 | | ns |

TIMING CHARACTERISTICS The ● denotes specifications which apply over the full operating temperature range, otherwise specifications are $T_A = 25^\circ\text{C}$. $V_{CC} = 5\text{V}$, $V_{REF} = 5\text{V}$, $f_{SCK} = f_{SCK(MAX)}$ as defined in Recommended Operating Conditions, unless otherwise noted.

| SYMBOL | PARAMETER | CONDITIONS | MIN | TYP | MAX | UNITS |
|-----------------|---|------------------------------------|--------|------|-----|--------------------------------|
| t_{CONV} | Conversion Time (See Figure 1) | H-Grade | ● ● | 2.75 | 3.2 | μs μs |
| | | | | 2.75 | 3.3 | |
| $f_{SMPL(MAX)}$ | Maximum Sampling Frequency | H-Grade | ● ● | 250 | | kHz kHz |
| | | | | 248 | | |
| t_{dDO} | Delay Time, SCK↓ to SDO Data Valid | $C_{LOAD} = 20\text{pF}$ | ● ● | 15 | 20 | ns ns ns |
| | | $C_{LOAD} = 20\text{pF}$ | | | 25 | |
| | | $C_{LOAD} = 20\text{pF}$, H-Grade | | | 30 | |
| t_{dis} | Delay Time, CONV↑ to SDO Hi-Z | H-Grade | ● ● | 30 | 60 | ns ns |
| | | | | 30 | 65 | |
| t_{en} | Delay Time, CONV↓ to SDO Enabled | $C_{LOAD} = 20\text{pF}$ | ● ● | 30 | 60 | ns ns |
| | | $C_{LOAD} = 20\text{pF}$, H-Grade | | | 65 | |
| t_{hDO} | Time Output Data Remains Valid After SCK↓ | $C_{LOAD} = 20\text{pF}$ | ● | 5 | 10 | ns |
| t_r | SDO Rise Time | $C_{LOAD} = 20\text{pF}$ | | 8 | | ns |
| t_f | SDO Fall Time | $C_{LOAD} = 20\text{pF}$ | | 4 | | ns |

Note 1: Stresses beyond those listed under Absolute Maximum Ratings may cause permanent damage to the device. Exposure to any Absolute Maximum Rating condition for extended periods may affect device reliability and lifetime.

Note 2: All voltage values are with respect to GND.

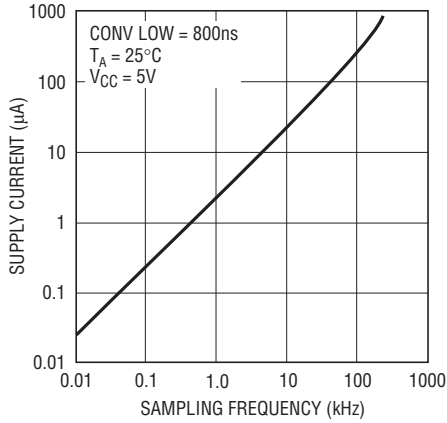
Note 3: Integral nonlinearity is defined as deviation of a code from a straight line passing through the actual endpoints of the transfer curve. The deviation is measured from the center of the quantization band.

Note 4: Channel leakage current is measured while the part is in sample mode.

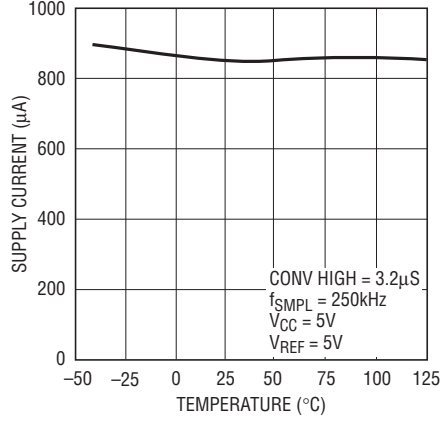
Note 5: Guaranteed by design, not subject to test.

TYPICAL PERFORMANCE CHARACTERISTICS

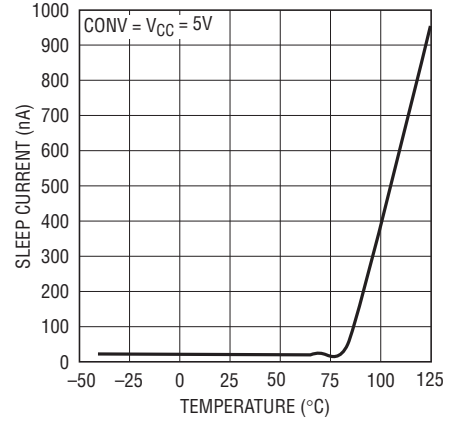
Supply Current vs Sampling Frequency



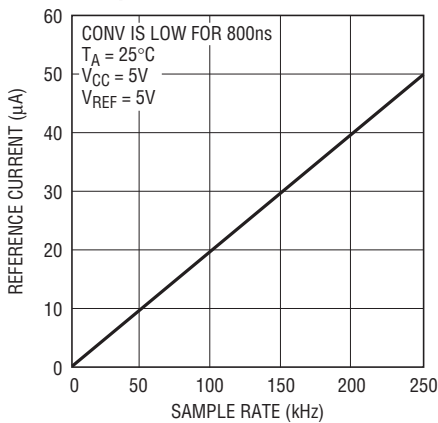
Supply Current vs Temperature



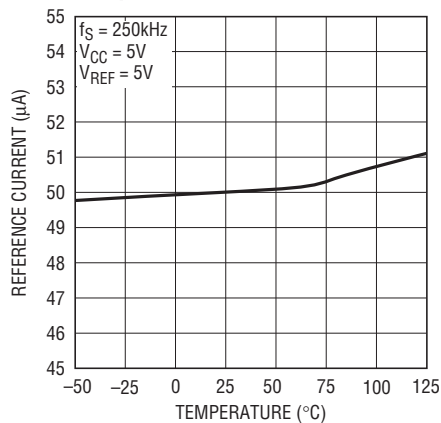
Sleep Current vs Temperature



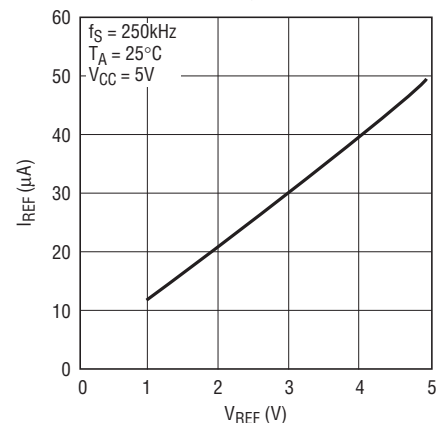
Reference Current vs Sample Rate



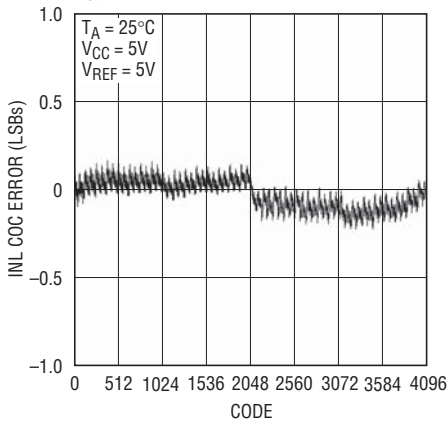
Reference Current vs Temperature



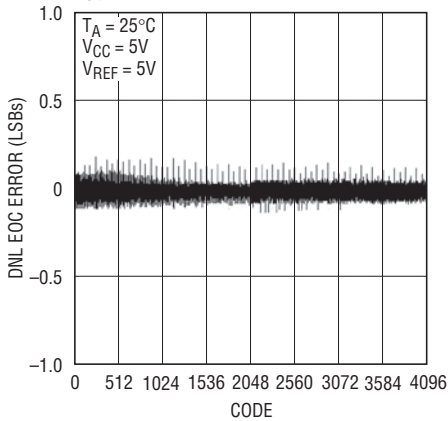
Reference Current vs Reference Voltage



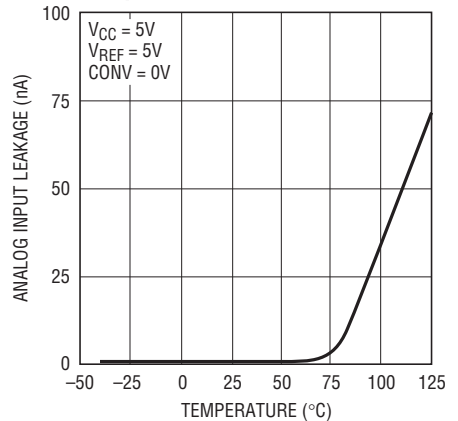
Typical INL Curve



Typical DNL Curve

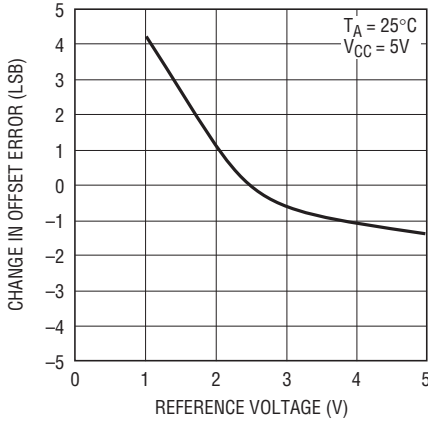


Analog Input Leakage vs Temperature



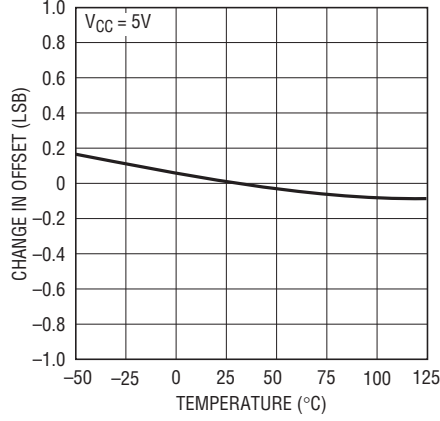
TYPICAL PERFORMANCE CHARACTERISTICS

Change in Offset Error vs Reference Voltage



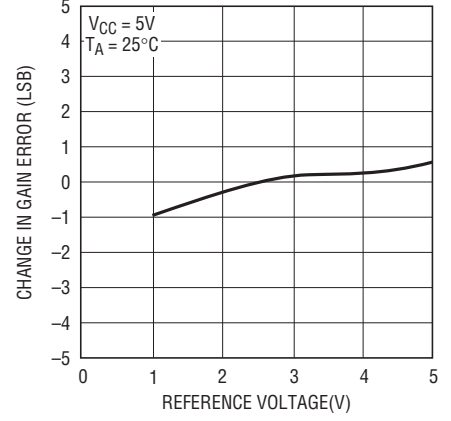
1860/61 G10

Change in Offset vs Temperature



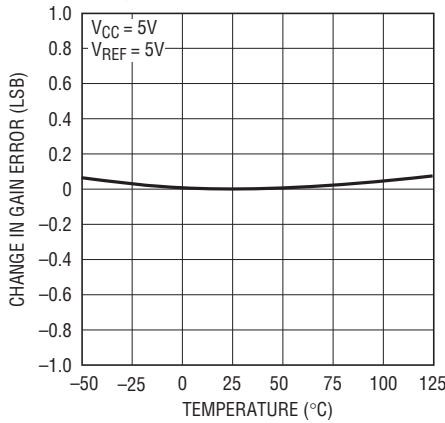
1860/61 G11

Change in Gain Error vs Reference Voltage



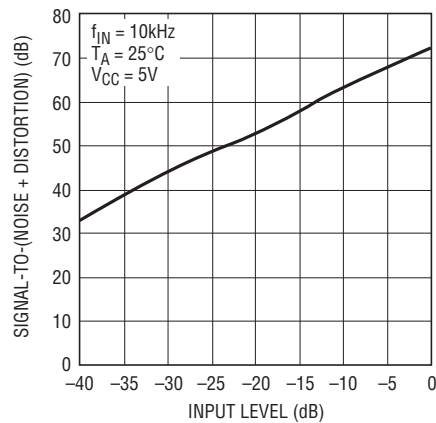
1860/61 G12

Change in Gain Error vs Temperature



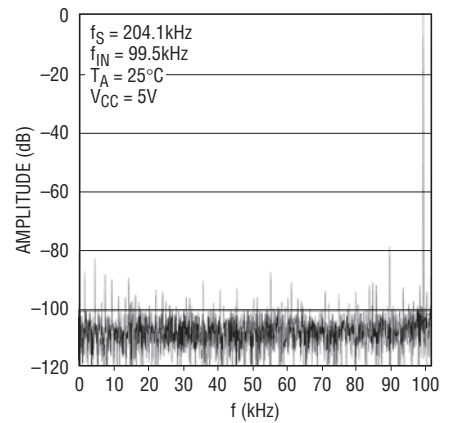
1860/61 G13

Signal-to-(Noise + Distortion) vs Input Level



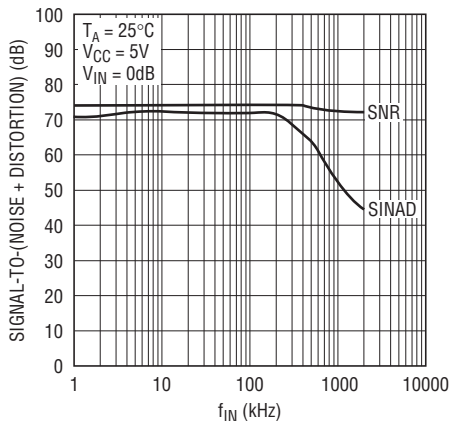
1195 G20

4096 Point FFT



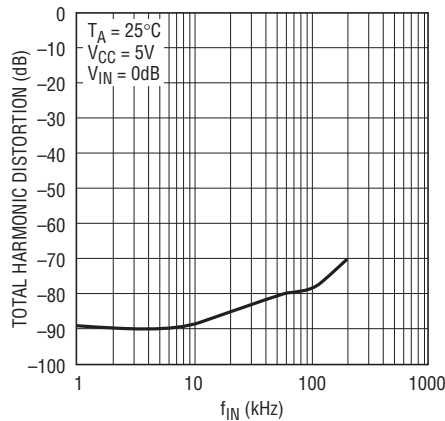
1860/61 G15

Signal-to-(Noise + Distortion) vs fIN



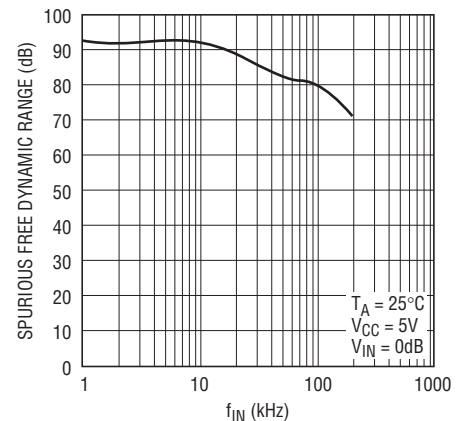
1860/61 G16

Total Harmonic Distortion vs fIN



1860/61 G17

Spurious Free Dynamic Range vs fIN



1860/61 G18

PIN FUNCTIONS

LTC1860

V_{REF} (Pin 1): Reference Input. The reference input defines the span of the A/D converter and must be kept free of noise with respect to GND.

IN⁺, IN⁻ (Pins 2, 3): Analog Inputs. These inputs must be free of noise with respect to GND.

GND (Pin 4): Analog Ground. GND should be tied directly to an analog ground plane.

CONV (Pin 5): Convert Input. A logic high on this input starts the A/D conversion process. If the CONV input is left high after the A/D conversion is finished, the part powers down. A logic low on this input enables the SDO pin, allowing the data to be shifted out.

SDO (Pin 6): Digital Data Output. The A/D conversion result is shifted out of this pin.

SCK (Pin 7): Shift Clock Input. This clock synchronizes the serial data transfer.

V_{CC} (Pin 8): Positive Supply. This supply must be kept free of noise and ripple by bypassing directly to the analog ground plane.

LTC1861 (MSOP Package)

CONV (Pin 1): Convert Input. A logic high on this input starts the A/D conversion process. If the CONV input is left high after the A/D conversion is finished, the part powers down. A logic low on this input enables the SDO pin, allowing the data to be shifted out.

CH0, CH1 (Pins 2, 3): Analog Inputs. These inputs must be free of noise with respect to AGND.

AGND (Pin 4): Analog Ground. AGND should be tied directly to an analog ground plane.

DGND (Pin 5): Digital Ground. DGND should be tied directly to an analog ground plane.

SDI (Pin 6): Digital Data Input. The A/D configuration word is shifted into this input.

SDO (Pin 7): Digital Data Output. The A/D conversion result is shifted out of this output.

SCK (Pin 8): Shift Clock Input. This clock synchronizes the serial data transfer.

V_{CC} (Pin 9): Positive Supply. This supply must be kept free of noise and ripple by bypassing directly to the analog ground plane.

V_{REF} (Pin 10): Reference Input. The reference input defines the span of the A/D converter and must be kept free of noise with respect to AGND.

LTC1861 (SO-8 Package)

CONV (Pin 1): Convert Input. A logic high on this input starts the A/D conversion process. If the CONV input is left high after the A/D conversion is finished, the part powers down. A logic low on this input enables the SDO pin, allowing the data to be shifted out.

CH0, CH1 (Pins 2, 3): Analog Inputs. These inputs must be free of noise with respect to GND.

GND (Pin 4): Analog Ground. GND should be tied directly to an analog ground plane.

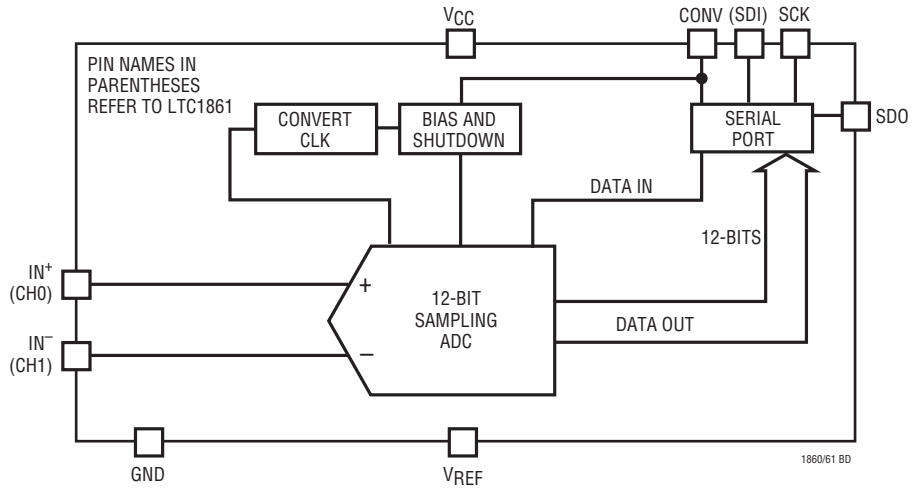
SDI (Pin 5): Digital Data Input. The A/D configuration word is shifted into this input.

SDO (Pin 6): Digital Data Output. The A/D conversion result is shifted out of this output.

SCK (Pin 7): Shift Clock Input. This clock synchronizes the serial data transfer.

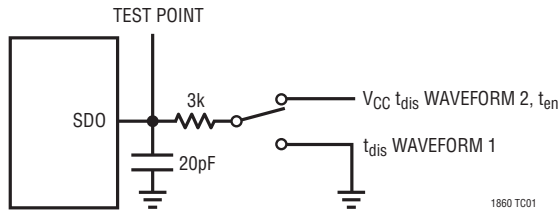
V_{CC} (Pin 8): Positive Supply. This supply must be kept free of noise and ripple by bypassing directly to the analog ground plane. V_{REF} is tied internally to this pin.

FUNCTIONAL BLOCK DIAGRAM

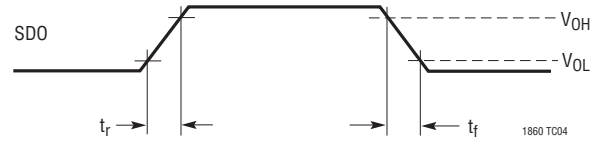


TEST CIRCUITS

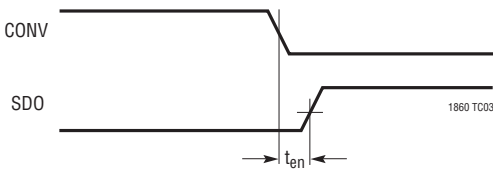
Load Circuit for t_{dDO} , t_r , t_f , t_{dis} and t_{en}



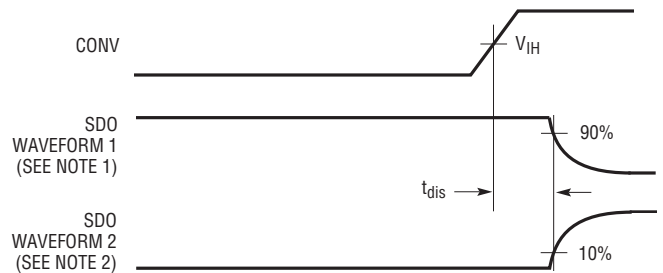
Voltage Waveforms for SDO Rise and Fall Times, t_r , t_f



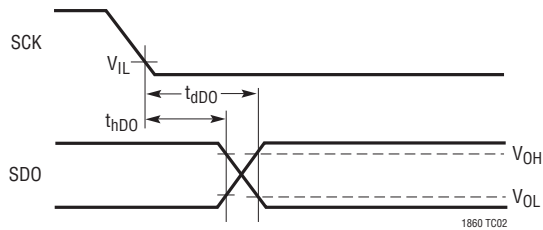
Voltage Waveforms for t_{en}



Voltage Waveforms for t_{dis}



Voltage Waveforms for SDO Delay Times, t_{dDO} and t_{hDO}



NOTE 1: WAVEFORM 1 IS FOR AN OUTPUT WITH INTERNAL CONDITIONS SUCH THAT THE OUTPUT IS HIGH UNLESS DISABLED BY THE OUTPUT CONTROL
 NOTE 2: WAVEFORM 2 IS FOR AN OUTPUT WITH INTERNAL CONDITIONS SUCH THAT THE OUTPUT IS LOW UNLESS DISABLED BY THE OUTPUT CONTROL

1860 TC05

APPLICATIONS INFORMATION

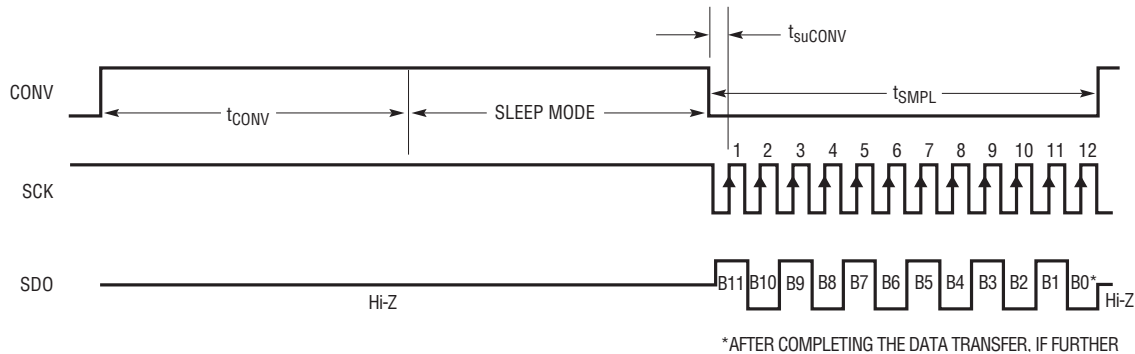


Figure 1. LTC1860 Operating Sequence

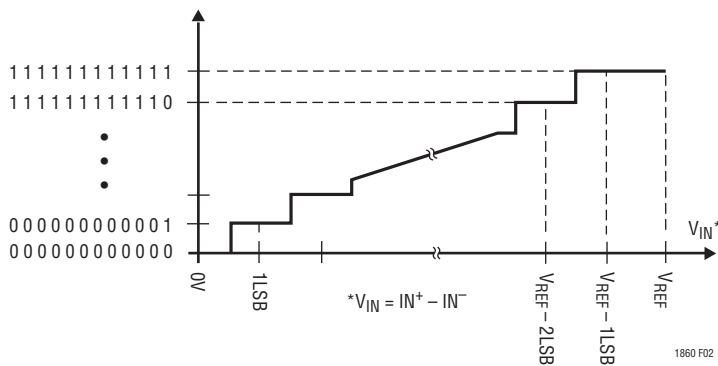


Figure 2. LTC1860 Transfer Curve

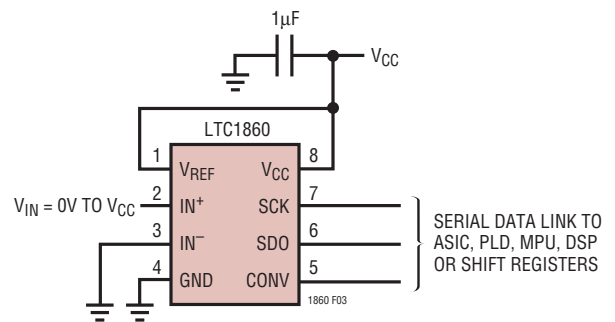


Figure 3. LTC1860 with Rail-to-Rail Input Span

LTC1860 OPERATION

Operating Sequence

The LTC1860 conversion cycle begins with the rising edge of CONV. After a period equal to t_{CONV} , the conversion is finished. If CONV is left high after this time, the LTC1860 goes into sleep mode drawing only leakage current. On the falling edge of CONV, the LTC1860 goes into sample mode and SDO is enabled. SCK synchronizes the data transfer with each bit being transmitted from SDO on the falling SCK edge. The receiving system should capture the data from SDO on the rising edge of SCK. After completing the data transfer, if further SCK clocks are applied with CONV low, SDO will output zeros indefinitely. See Figure 1.

Analog Inputs

The LTC1860 has a unipolar differential analog input. The converter will measure the voltage between the “IN+” and “IN-” inputs. A zero code will occur when IN+ minus IN- equals zero. Full scale occurs when IN+ minus IN- equals V_{REF} minus 1LSB. See Figure 2. Both the “IN+” and “IN-” inputs are sampled at the same time, so common mode noise on the inputs is rejected by the ADC. If “IN-” is grounded and V_{REF} is tied to V_{CC} , a rail-to-rail input span will result on “IN+” as shown in Figure 3.

Reference Input

The voltage on the reference input of the LTC1860 (and the LTC1861 MSOP package) defines the full-scale range of the A/D converter. These ADCs can operate with reference voltages from V_{CC} to 1V.

APPLICATIONS INFORMATION

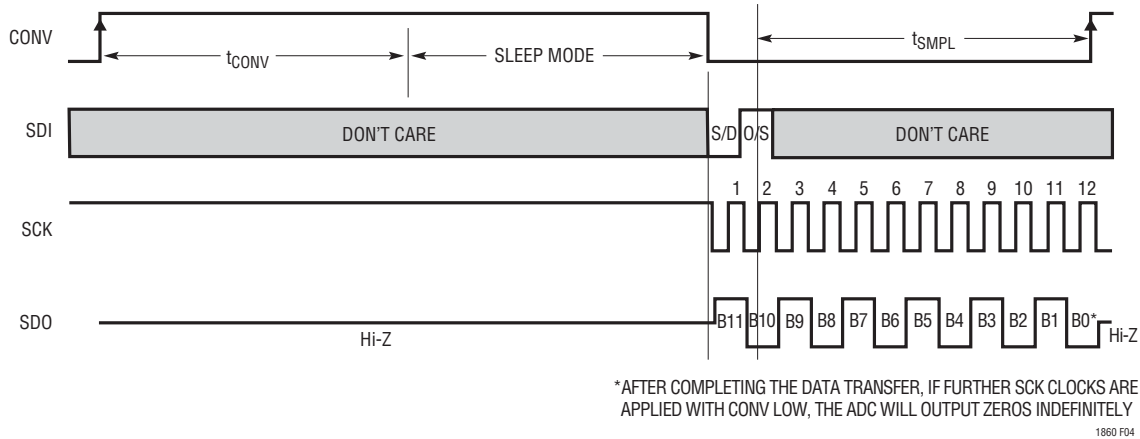


Figure 4. LTC1861 Operating Sequence

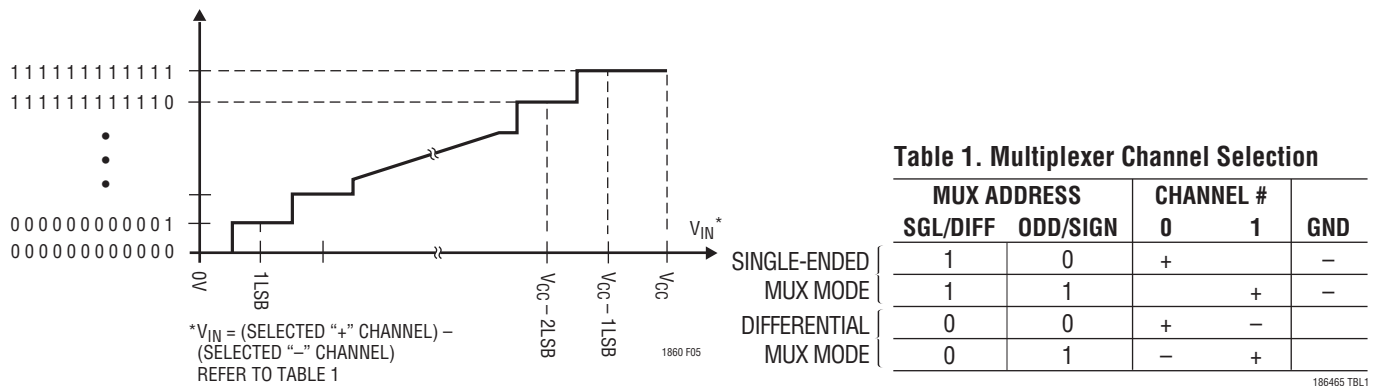


Figure 5. LTC1861 Transfer Curve

LTC1861 OPERATION

Operating Sequence

The LTC1861 conversion cycle begins with the rising edge of CONV. After a period equal to t_{CONV} , the conversion is finished. If CONV is left high after this time, the LTC1861 goes into sleep mode. The LTC1861's 2-bit data word is clocked into the SDI input on the rising edge of SCK after CONV goes low. Additional inputs on the SDI pin are then ignored until the next CONV cycle. The shift clock (SCK) synchronizes the data transfer with each bit being transmitted on the falling SCK edge and captured on the rising SCK edge in both transmitting and receiving systems. The data is transmitted and received simultaneously (full duplex). After completing the data transfer, if further SCK clocks are applied with CONV low, SDO will output zeros indefinitely. See Figure 4.

Analog Inputs

The two bits of the input word (SDI) assign the MUX configuration for the next requested conversion. For a given channel selection, the converter will measure the voltage between the two channels indicated by the "+" and "-" signs in the selected row of the following table. In single-ended mode, all input channels are measured with respect to GND (or AGND). A zero code will occur when the "+" input minus the "-" input equals zero. Full scale occurs when the "+" input minus the "-" input equals V_{REF} minus 1LSB. See Figure 5. Both the "+" and "-" inputs are sampled at the same time so common mode noise is rejected. The input span in the SO-8 package is fixed at $V_{REF} = V_{CC}$. If the "-" input in differential mode is grounded, a rail-to-rail input span will result on the "+" input.

APPLICATIONS INFORMATION

Reference Input

The reference input of the LTC1861 SO-8 package is internally tied to V_{CC} . The span of the A/D converter is therefore equal to V_{CC} . The voltage on the reference input of the LTC1861 MSOP package defines the span of the A/D converter. The LTC1861 MSOP package can operate with reference voltages from 1V to V_{CC} .

GENERAL ANALOG CONSIDERATIONS

Grounding

The LTC1860/LTC1861 should be used with an analog ground plane and single point grounding techniques. Do not use wire wrapping techniques to breadboard and evaluate the device. To achieve the optimum performance, use a printed circuit board. The ground pins (AGND and DGND for the LTC1861 MSOP package and GND for the LTC1860 and LTC1861 SO-8 package) should be tied directly to the analog ground plane with minimum lead length.

Bypassing

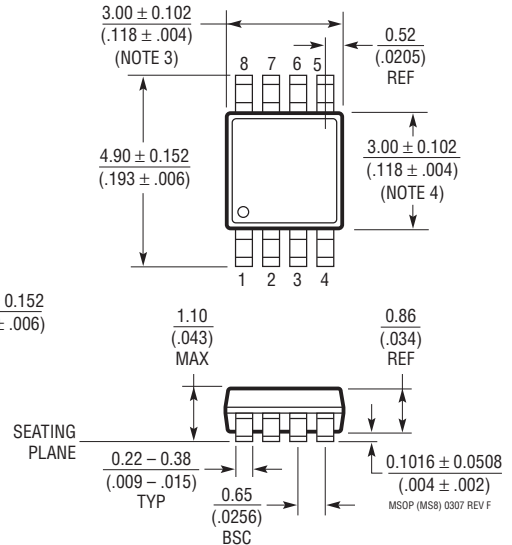
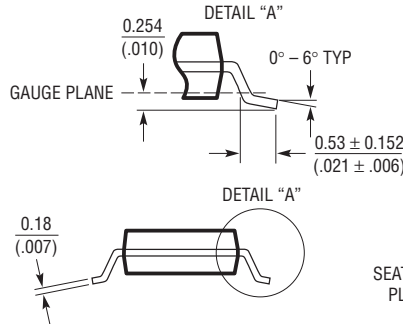
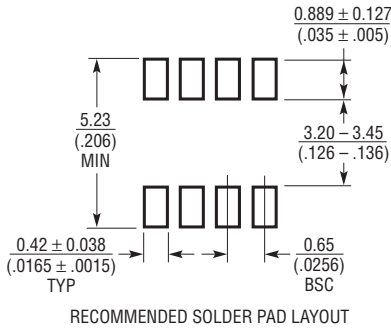
For good performance, the V_{CC} and V_{REF} pins must be free of noise and ripple. Any changes in the V_{CC}/V_{REF} voltage with respect to ground during the conversion cycle can induce errors or noise in the output code. Bypass the V_{CC} and V_{REF} pins directly to the analog ground plane with a minimum of 1 μ F tantalum. Keep the bypass capacitor leads as short as possible.

Analog Inputs

Because of the capacitive redistribution A/D conversion techniques used, the analog inputs of the LTC1860/LTC1861 have capacitive switching input current spikes. These current spikes settle quickly and do not cause a problem if source resistances are less than 200 Ω or high speed op amps are used (e.g., the LT[®]1211, LT1469, LT1807, LT1810, LT1630, LT1226 or LT1215). But if large source resistances are used, or if slow settling op amps drive the inputs, take care to ensure the transients caused by the current spikes settle completely before the conversion begins.

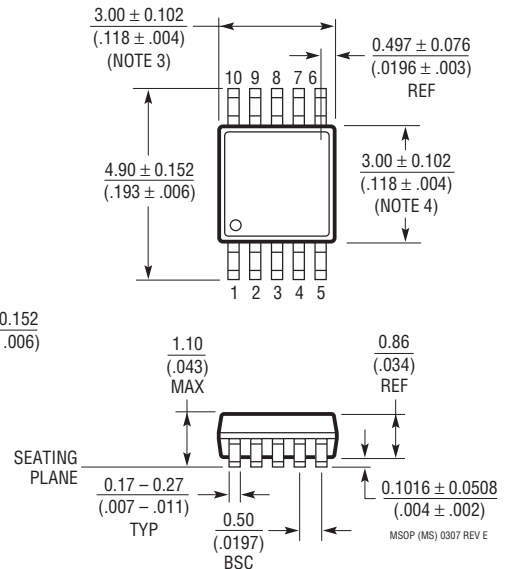
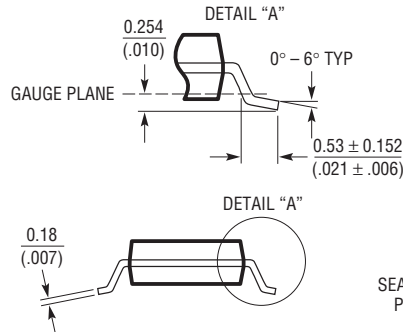
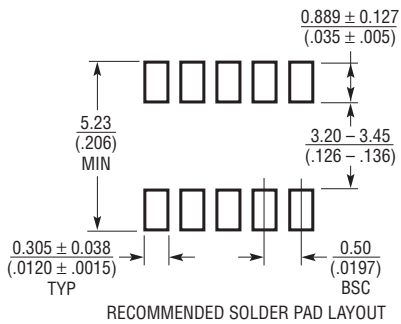
PACKAGE DESCRIPTION

MS8 Package 8-Lead Plastic MSOP (Reference LTC DWG # 05-08-1660)



- NOTE:
1. DIMENSIONS IN MILLIMETER/(INCH)
 2. DRAWING NOT TO SCALE
 3. DIMENSION DOES NOT INCLUDE MOLD FLASH, PROTRUSIONS OR GATE BURRS.
MOLD FLASH, PROTRUSIONS OR GATE BURRS SHALL NOT EXCEED 0.152mm (.006") PER SIDE
 4. DIMENSION DOES NOT INCLUDE INTERLEAD FLASH OR PROTRUSIONS.
INTERLEAD FLASH OR PROTRUSIONS SHALL NOT EXCEED 0.152mm (.006") PER SIDE
 5. LEAD COPLANARITY (BOTTOM OF LEADS AFTER FORMING) SHALL BE 0.102mm (.004") MAX

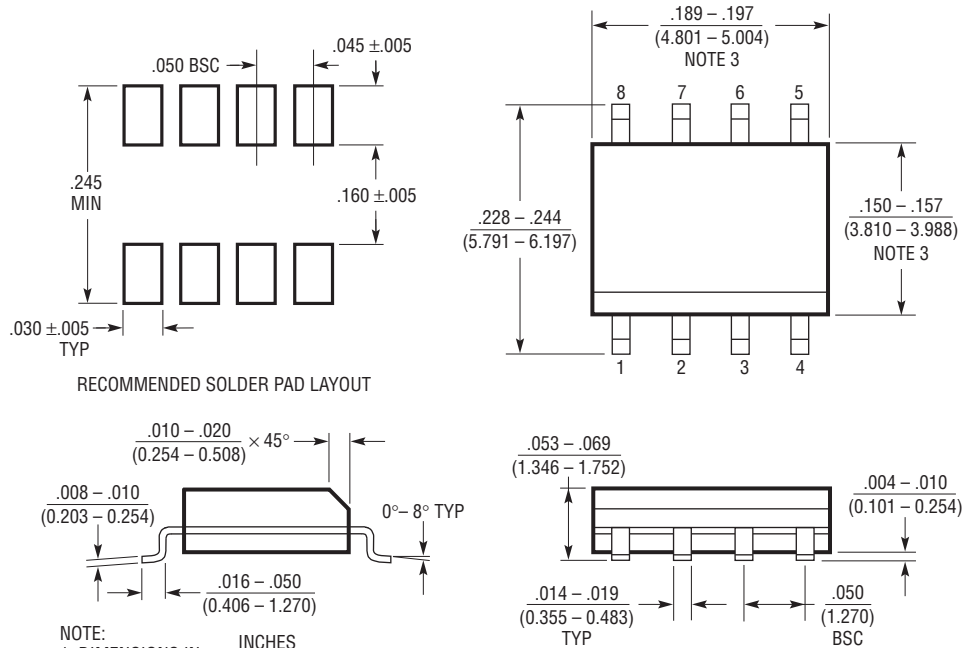
MS Package 10-Lead Plastic MSOP (Reference LTC DWG # 05-08-1661)



- NOTE:
1. DIMENSIONS IN MILLIMETER/(INCH)
 2. DRAWING NOT TO SCALE
 3. DIMENSION DOES NOT INCLUDE MOLD FLASH, PROTRUSIONS OR GATE BURRS.
MOLD FLASH, PROTRUSIONS OR GATE BURRS SHALL NOT EXCEED 0.152mm (.006") PER SIDE
 4. DIMENSION DOES NOT INCLUDE INTERLEAD FLASH OR PROTRUSIONS.
INTERLEAD FLASH OR PROTRUSIONS SHALL NOT EXCEED 0.152mm (.006") PER SIDE
 5. LEAD COPLANARITY (BOTTOM OF LEADS AFTER FORMING) SHALL BE 0.102mm (.004") MAX

PACKAGE DESCRIPTION

S8 Package 8-Lead Plastic Small Outline (Narrow .150 Inch) (Reference LTC DWG # 05-08-1610)

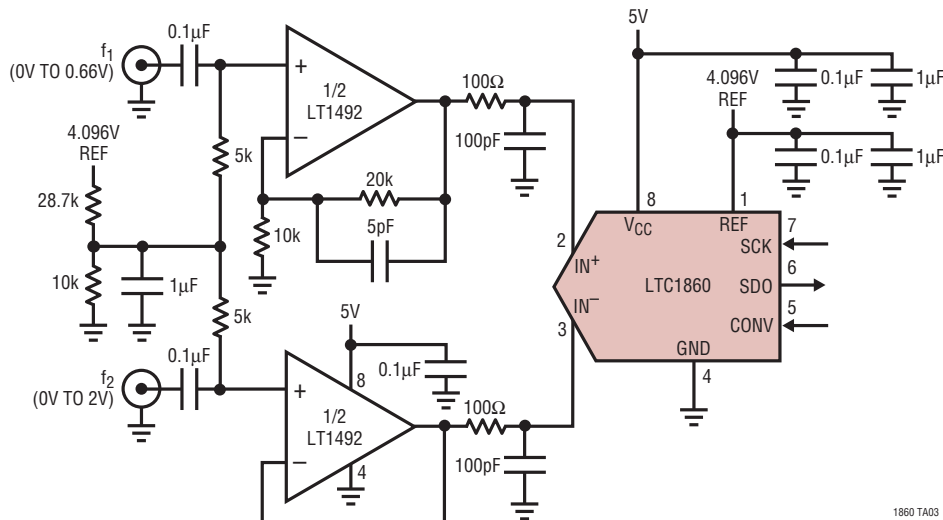


- NOTE:
 1. DIMENSIONS IN $\frac{\text{INCHES}}{\text{MILLIMETERS}}$
 2. DRAWING NOT TO SCALE
 3. THESE DIMENSIONS DO NOT INCLUDE MOLD FLASH OR PROTRUSIONS.
 MOLD FLASH OR PROTRUSIONS SHALL NOT EXCEED $.006''$ (0.15mm)

S08 0303

TYPICAL APPLICATION

Sample Two Channels Simultaneously with a Single Input ADC



1860 TA03

RELATED PARTS

| PART NUMBER | SAMPLE RATE | POWER DISSIPATION | DESCRIPTION |
|-------------------------------|---------------------------------------|-------------------|--|
| 12-Bit Serial I/o ADCs | | | |
| LTC1286/LTC1298 | 12.5ksps/11.1ksps | 1.3mW/1.7mW | 1-Channel with Ref. Input (LTC1286), 2-Channel (LTC1298), 5V |
| LTC1400 | 400ksps | 75mW | 1-Channel, Bipolar or Unipolar Operation, Internal Reference, 5V |
| LTC1401 | 200ksps | 15mW | SO-8 with Internal Reference, 3V |
| LTC1402 | 2.2Msps | 90mW | Serial I/O, Bipolar or Unipolar, Internal Reference |
| LTC1404 | 600ksps | 25mW | SO-8 with Internal Reference, Bipolar or Unipolar, 5V |
| 14-Bit Serial I/O ADCs | | | |
| LTC1417 | 400ksps | 20mW | 16-Pin SSOP, Unipolar or Bipolar, Reference, 5V |
| LTC1418 | 200ksps | 15mW | Serial/Parallel I/O, Internal Reference, 5V |
| 16-Bit Serial I/O ADCs | | | |
| LTC1609 | 200ksps | 65mW | Configurable Bipolar or Unipolar Input Ranges, 5V |
| LTC1864/LTC1865 | 250ksps | 4.25mW | SO-8, MS8, 1-Channel, 5V/SO-8, MS10, 2-Channel, 5V |
| References | | | |
| LT1460 | Micropower Precision Series Reference | | Bandgap, 130µA Supply Current, 10ppm/°C, Available in SOT-23 |
| LT1790 | Micropower Low Dropout Reference | | 60µA Supply Current, 10ppm/°C, SOT-23 |