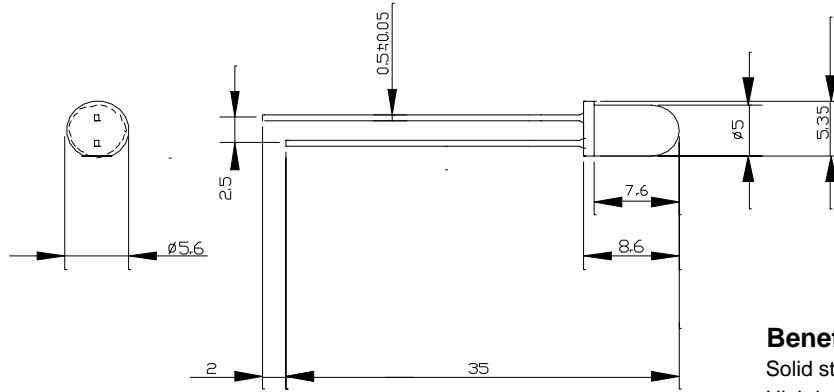


Technical Data

5mm Ultra Bright Red LED



Drawings not to scale
Dimensions in mm tolerance is $\pm 0.3\text{mm}$

Benefits

Solid state reliability
High luminous intensity
Also available in LED Bulb replacement
and LED Panel Lamp styles

Technical and Ordering Information

Optical/Electrical Characteristics (Ta = 25°C)

Order Code	Colour	Typ Fwd Voltage Vf @ Iopr	Max Fwd Voltage Vf @ Iopr	Fwd Current Iopr	Max Rev Current Ir (Vr = 5V)	Luminous Intensity Iv @ Iopr	Peak Wave Length @ Iopr	Viewing Angle
E1001	Red	1.85	2.5	20	10	3500	640	30°
	Water Clear	V	V	mA	uA	mcd	nm	deg

Absolute Maximum Ratings (Ta = 25°C)

Order Code	Colour	Fwd Current Iopr Max	Peak Fwd Current Ipf	Reverse Voltage Vr Max	Power Dissipation Pd Max	Operating Temp Topr	Storage Temp Tstg
E1001	Red	30	150	5	100	-40° to +85°	-40° to +85°
	Water Clear	mA	mA	V	mW	°C	°C