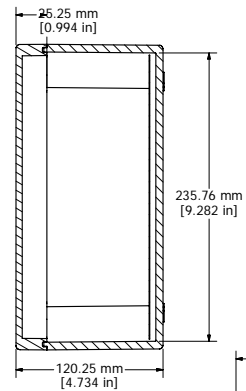
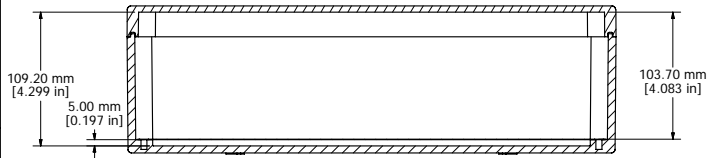


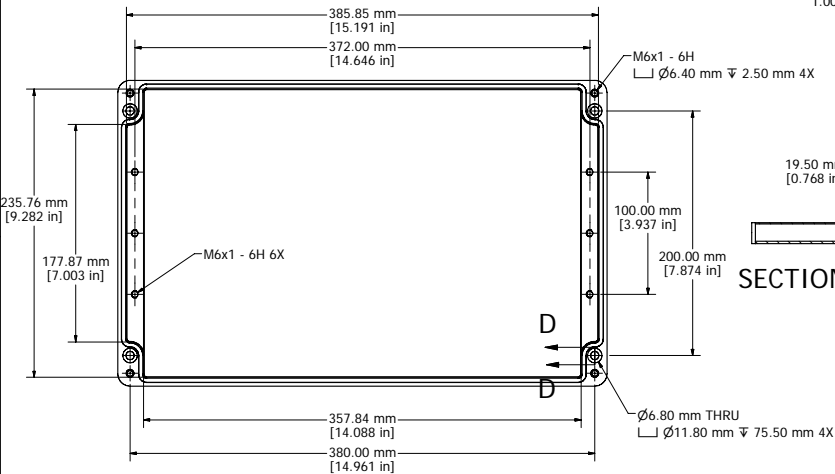
ASSEMBLY



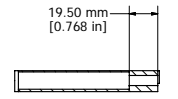
SECTION A-A



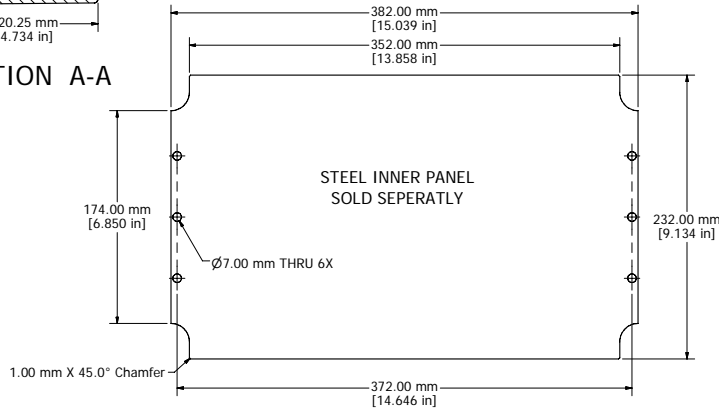
SECTION B-B



BOX - INSIDE

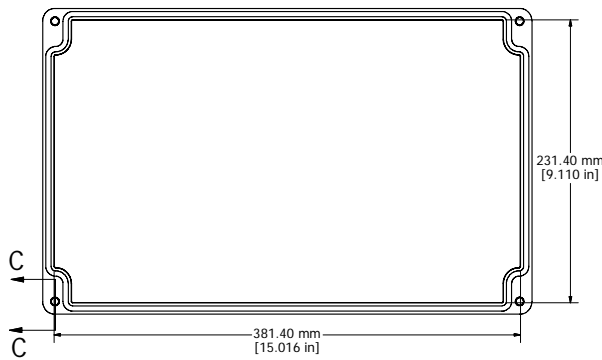


SECTION D-D

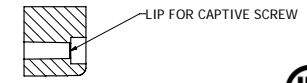
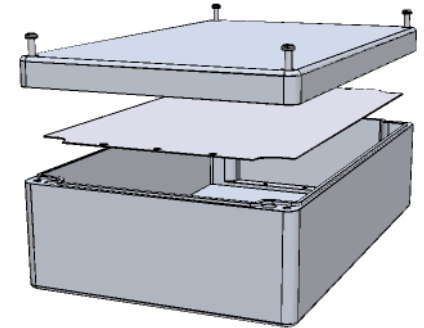


STEEL INNER PANEL  
SOLD SEPARATLY

INNER PANEL



LID - INSIDE



SECTION C-C

**UL US LISTED**  
File #E65324  
NEMA 4, 4X

FIBERGLASS ENCLOSURE	
INCLUDES	
1	ENCLOSURE
4	M6 x 28mm PAN HEAD SCREWS
ACCESSORIES	
STEEL INNER PANEL	1590ZGRP243PL

**HAMMOND MANUFACTURING™**  
1590ZGRP243  
www.hammondmfg.com