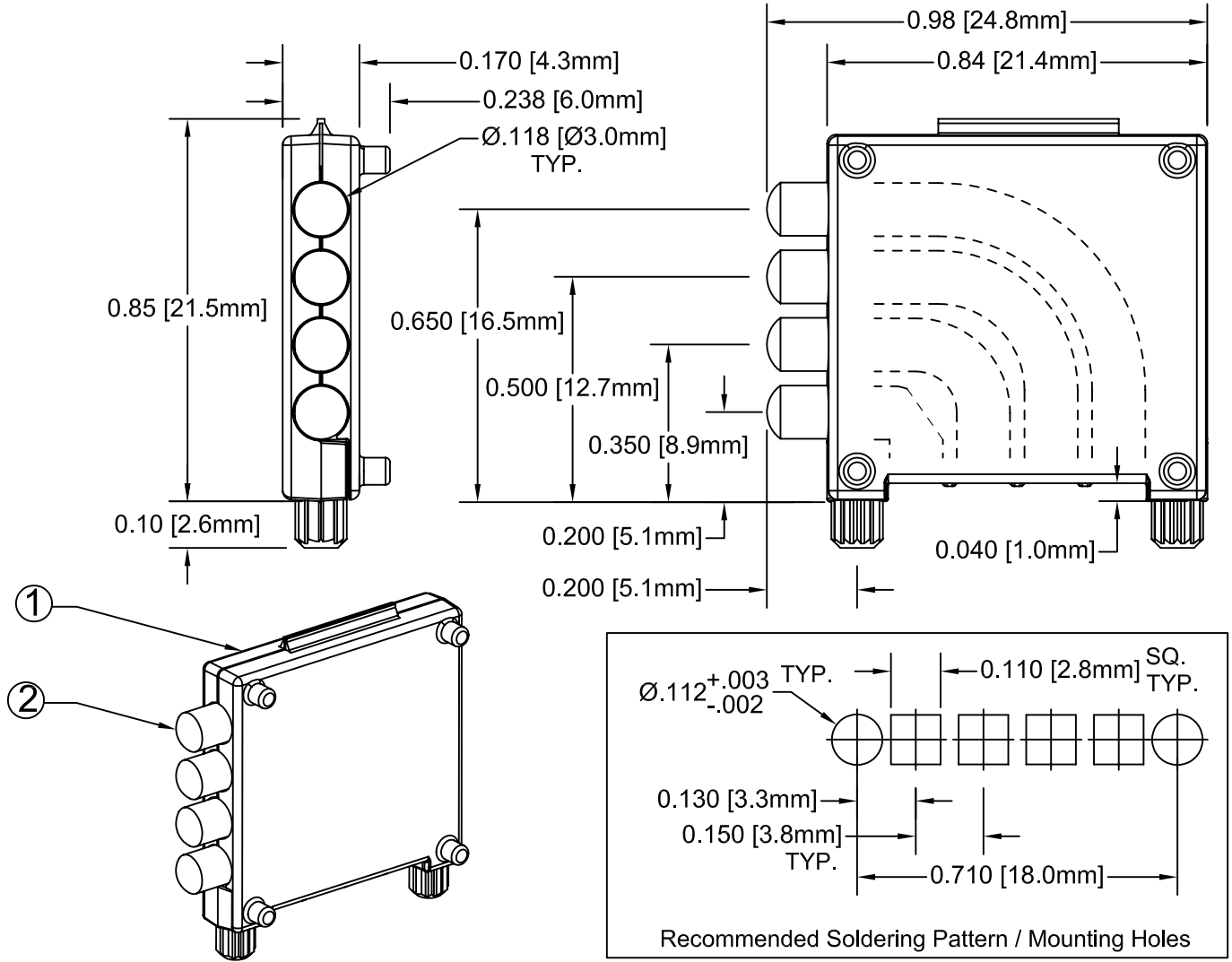


ITEM	Q'TY	PART NUMBER	PART DESCRIPTION
1	1	LP-4H	Shell, 4 High, Right Angle Light Pipe
2	1	LP-4EP	Light Pipe, 4 High, Right Angle, Extend Profile

REV.	DESCRIPTION	DATE	APPROVED
B	Engineering Update w/o Changes	03/08/04	M. C.
C	Added Note	05/16/08	M. C.



Note: Pre-Assembled and Ultrasonically Welded

STANDARD TOLERANCE (UNLESS OTHERWISE SPECIFIED)		BIVAR [®] 4 THOMAS, IRVINE, CA. 92618 TEL: (949) 951-8808 FAX: (949) 951-3974	
DECIMALS	ANGULAR		
.X ±.1	X° ± 1°		TITLE: QUAD-LEVEL LIGHT PIPE ASSEMBLY, EXTENDED LENS
.XX ±.02			PART NO: LP4-EP
.XXX ±.010			REVISION: C
DESIGNED: Michael Chen	DATE: 08/26/02	CHECKED: S. Irving	DATE: 08/26/02
CAGE CODE: 32559		SHEET # 1 OF 1	
CAD GENERATED DOCUMENT, DO NOT MEASURE DRAWING.			