



### V7-1C17D8-207



Actual product appearance may vary.

**V7 Series Miniature Basic Switch, Single Pole Double Throw Circuitry, 15 A at 277 Vac, Roller Lever Actuator, 0,88 N [3.2 oz] Maximum Operating Force, Silver Contacts, Quick Connect Termination**

#### V7 Series Features

- World-wide package size acceptance
- Current rating ranges from 0.1 A to 25 A
- Wiping contact action
- Temperature range to 177 °C [350 °F]
- Long mechanical life
- Elongated mounting holes for easier, more accurate mounting
- UL/CSA recognized, ENEC (European) approval available
- Choice of actuation, termination and operating characteristics

#### Potential Applications

- Appliances
- Vending machines
- Timing devices
- Office equipment
- Computer/business equipment
- Test instruments
- Medical/dental equipment
- Communications equipment
- HVAC equipment
- Manually operated devices
- Valves
- Gaming equipment
- Pressure switches

#### Description

MICRO SWITCH™ V5 and V7 Series basic switches are used for simple or precision on/off, end of limit, presence/absence, pressure, temperature and manual operator interface application needs.

Product Specifications	
Switch Type	MICRO SWITCH™ Miniature 15,9 mm H x 10,2 mm W x 28,8 mm L [0.63 in H x 0.4 in W x 1.14 in L]
Sealed	No
Ampere Rating	15 A
Circuitry	Single Pole Double Throw (SPDT)
Actuator	Roller Lever
Termination	Quick Connect
Operating Temperature Range	-40 °C to 82 °C [-40 °F to 180 °F]
Voltage	277 Vac
Approvals	CSA, UL
Actuator Length	34,0 mm [1.34 in]
Contact Type	Silver

Operating Force (O.F.)	0,88 N [3.2 oz] max.
Release Force (R.F.)	0,09 N [0.3 oz] min.
Pretravel (P.T.)	2,92 mm [0.115 in] max.
Overtravel (O.T.)	1,52 mm [0.060 in] min.
Differential Travel (D.T.)	0,64 mm [0.025] max.
Operating Position (O.P.)	20,6 ± 1,270 mm [0.810 ± 0.050 in]
Housing Material	PCT PolyesterThermoplastic
High Temperature	85 °C [185 °F]
CE mark	61058-1
UL File #	E12252
CSA File #	LR41370
Agency Approvals and Standards	1054
Mounting Centers	22,2 mm [0.88 in]
Maximum Tightening Torque	0,56 N m [5.0 in lb]
Weight	8 g [0.3 oz]
Package Height	16 mm [0.63 in]
Package Width	10,2 mm [0.40 in]
Package Length	28,8 mm [1.14 in]
Availability	Global
UNSPSC Code	30211905
UNSPSC Commodity	30211905 Snap switches
Series Name	V7

**MICRO SWITCH**  
a Honeywell Division

FED. MFG. CODE 91929

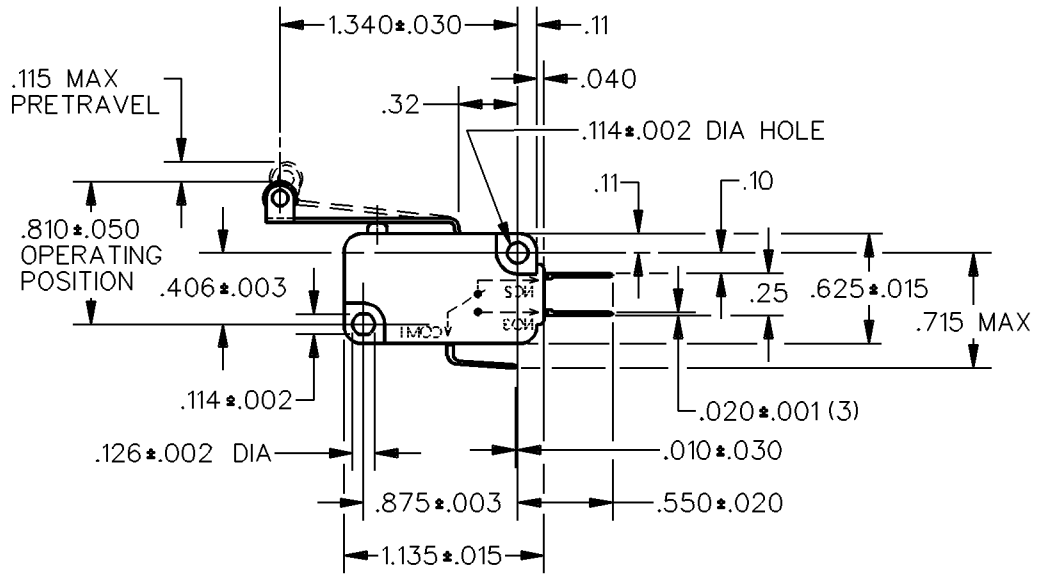
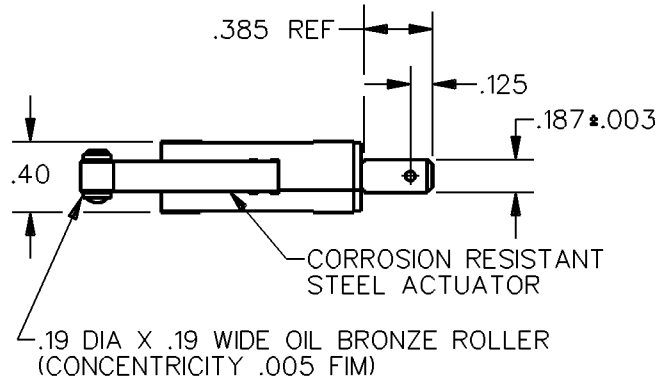
**SWITCH-BASIC**

CATALOG LISTING

**V7-1C17D8-207**

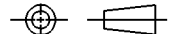
**CW-B5419**

CATALOG LISTING  
**V7-1C17D8-207**  
 M  
 ISSUE 3  
 REVISIONS  
 A REL PR 18883  
 BAB 14 DEC 90  
 B CO 76418  
 DCS 10 DEC 93  
 WJC  
 DDM/CAD  
 DRAWN  
 B A B 14 DEC 90  
 CHECK  
 WJC  
 31 DEC 90  
 CHECK  
 WJC  
 18883  
 RELEASE NO. PR-18883  
 REPLACES



THIS DRAWING COVERS A PROPRIETARY ITEM AND IS THE PROPERTY OF MICRO SWITCH, A DIVISION OF HONEYWELL. THIS DRAWING IS NOT TO BE COPIED OR USED WITHOUT THE APPROVAL OF MICRO SWITCH.

THIRD ANGLE PROJECTION



CHARACTERISTICS	ELECTRICAL DATA CONTACT ARRANGEMENT S P D T	SCALE FULL	DO NOT SCALE PRINT
		OPERATING FORCE — — 90 GRAMS MAX RELEASE FORCE — — — 9 GRAMS MIN DIFFERENTIAL TRAVEL — — .025 MAX OVERTRAVEL — — — — — .060 MIN RELEASE TRAVEL — — — — — .016 MIN	
L215 15.1A 1/2HP 125, 250 OR 277 VAC 1/2A 125 VDC 1/4A 250 VDC; 5A 120 VAC "L"			