



V7-3E17E9-022



Actual product appearance may vary.

V7 Series Miniature Basic Switch, Single Pole Double Throw Circuitry, 10 A at 277 Vac, Straight Lever Actuator, 0,29 N [1.1 oz] Maximum Operating Force, Silver Contacts, Quick Connect Termination

V7 Series Features

- World-wide package size acceptance
- Current rating ranges from 0.1 A to 25 A
- Wiping contact action
- Temperature range to 177 °C [350 ° F]
- Long mechanical life
- Elongated mounting holes for easier, more accurate mounting
- UL/CSA recognized, ENEC (European) approval available
- Choice of actuation, termination and operating characteristics

Potential Applications

- Appliances
- Vending machines
- Timing devices
- Office equipment
- Computer/business equipment
- Test instruments
- Medical/dental equipment
- Communications equipment
- HVAC equipment
- Manually operated devices
- Valves
- Gaming equipment
- Pressure switches

Description

MICRO SWITCH™ V5 and V7 Series basic switches are used for simple or precision on/off, end of limit, presence/absence, pressure, temperature and manual operator interface application needs.

Product Specifications	
Switch Type	MICRO SWITCH™ Miniature 15,9 mm H x 10,2 mm W x 28,8 mm L [0.63 in H x 0.4 in W x 1.14 in L]
Sealed	No
Ampere Rating	10 A
Circuitry	Single Pole Double Throw (SPDT)
Actuator	Straight Lever
Termination	Quick Connect
Operating Temperature Range	-40 °C to 82 °C [-40 °F to 180 °F]
Voltage	277 Vac
Approvals	CSA,UL,ENEC
Actuator Length	35,6 mm [1.40 in]
Contact Type	Silver

Operating Force (O.F.)	0,29 N [1.1 oz] max.
Release Force (R.F.)	0,009 N [0.04 oz] min.
Pretravel (P.T.)	3,05 mm [0.120 in] max.
Overtravel (O.T.)	1,65 mm [0.065 in] min.
Differential Travel (D.T.)	0,76 mm [0.030] max.
Operating Position (O.P.)	15,3 ± 1,016 mm [0.603 ± 0.040 in]
Housing Material	PCT PolyesterThermoplastic
High Temperature	85 °C [185 °F]
CE mark	61058-1
UL File #	E12252
CSA File #	LR41370
Agency Approvals and Standards	1054
Mounting Centers	22,2 mm [0.88 in]
Maximum Tightening Torque	0,56 N m [5.0 in lb]
Weight	8 g [0.3 oz]
Package Height	16 mm [0.63 in]
Package Width	10,2 mm [0.40 in]
Package Length	27,7 mm [1.09 in]
Availability	Global
UNSPSC Code	30211905
UNSPSC Commodity	30211905 Snap switches
Series Name	V7

MICRO SWITCH
a Honeywell Division

FED. MFG. CODE 91929

SWITCH-BASIC

CATALOG LISTING

V7-3E17E9-022

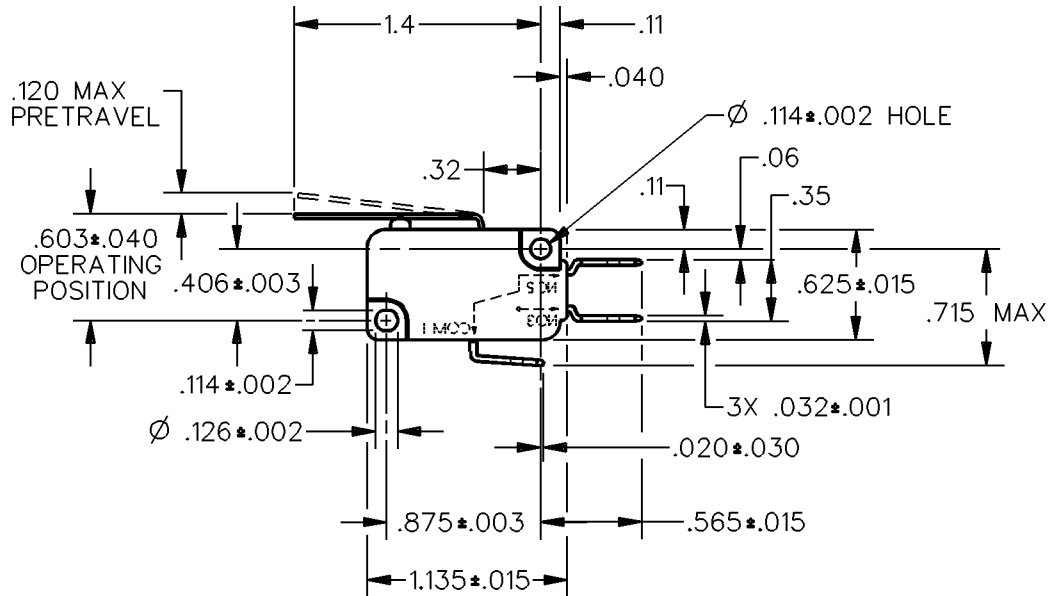
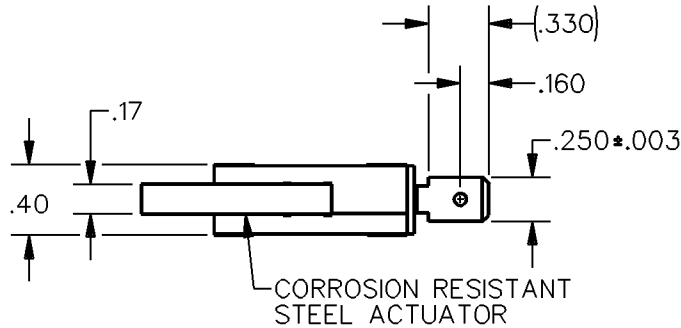
CW-B8416

CATALOG LISTING
V7-3E17E9-022

REPLACES
RELEASE NO. PR-19388

ISSUE
4

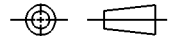
REVISIONS	
A	CO-74476 DCS 28 APR 93
B	CO-75471 J.A.L. 6 OCT 93




ANSI Y14.5M-1982 APPLIES

THIS DRAWING COVERS A PROPRIETARY ITEM AND IS THE PROPERTY OF MICRO SWITCH, A DIVISION OF HONEYWELL. THIS DRAWING IS NOT TO BE COPIED OR USED WITHOUT THE APPROVAL OF MICRO SWITCH.

THIRD ANGLE PROJECTION



CHARACTERISTICS	ELECTRICAL DATA CONTACT ARRANGEMENT S P D T	SCALE FULL	DO NOT SCALE PRINT
		<p>UNLESS OTHERWISE SPECIFIED TOLERANCES ARE</p> <p>ONE PLACE (.0) ± .030</p> <p>TWO PLACE (.00) ± .015</p> <p>THREE PLACE (.000) ± .005</p> <p>ANGLES ±</p> <p>WEIGHT</p>	
OPERATING FORCE — — — 30 GRAMS MAX	<p>L216 10A 1/3HP 125, 250 OR 277 VAC 1/2A 125 VDC 1/4A 250 VDC; 4A 125 VAC "L"</p> 		
RELEASE FORCE — — — 1 GRAM MIN			
DIFFERENTIAL TRAVEL — — — .030 MAX			
OVERTRAVEL — — — .065 MIN			
RELEASE TRAVEL — — — .017 MIN			

DDM/CAD
DRAWN
J A L 16 JUL 91

CHECK LAD 16 JUL 91
CHECK LAD 16 JUL 91