



Quick Reference

Search by part #

Check distributor part inventory

Products

Browse Products

-By Device -

-By Product Line-

-Attachment Methods

-Interface Materials -

-Accessories -

Useful Links

- [MSDS Safety Sheets](#)
- [How to order?](#)
- [Find Sales Rep](#)
- [Find Distributor](#)
- [Sample Request](#)
- [Quote Request](#)
- [Catalog Request](#)
- [Building a part #](#)
- [Part # Cross Ref](#)

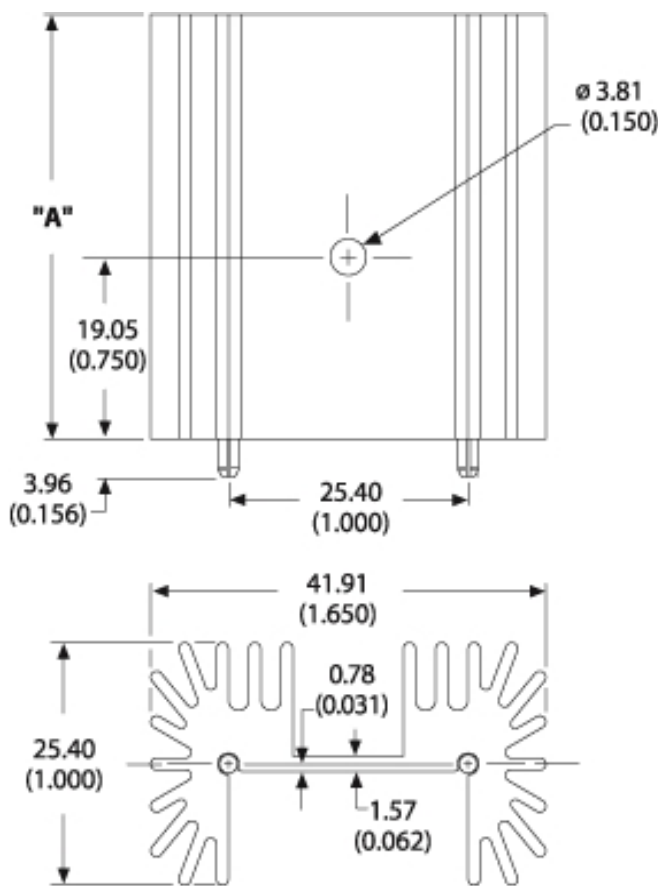
For use with TO -220/218 packages

[Printer friendly version](#)

Part Number - 6396BG

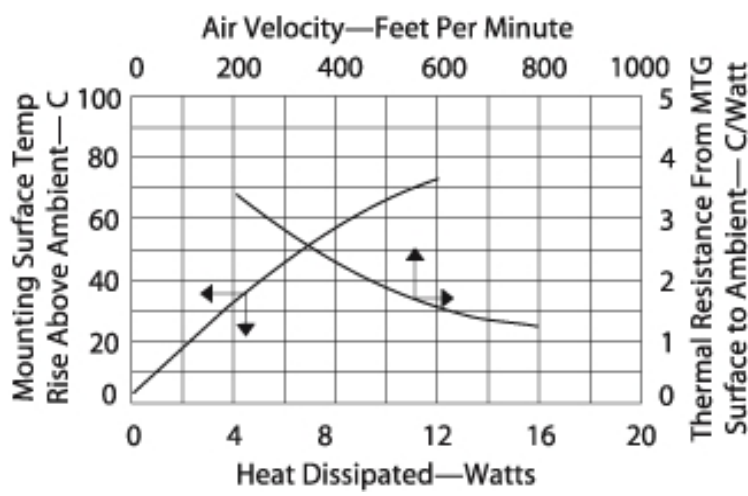


Mechanical Outline Drawing



A Dim 25.40

Thermal Curves



Thermal Resistance	5.60
---------------------------	------

Thermal resistance value is based on a 75°C rise in natural convection

Product Information

Part #	Description	Finish	Board Mounting
6396BG	High Power extruded heat sink with large radial fins	Black Anodize	View Hole Dimensions

Not Exactly what you need?

We offer several options for those applications which require a more unique solution. For slight modifications of this part or other attachment options, finishes, and interface materials, contact your [local representative](#). Challenge us with your thermal requirements - we can design custom solutions.