



Quick Reference

Search by part #

Check distributor part inventory

Products

Browse Products

-By Device -

-By Product Line-

-Attachment Methods

-Interface Materials -

-Accessories -

Useful Links

- [Building a Part #](#)
- [Catalog Request](#)
- [Directions](#)
- [Find Distributor](#)
- [Find Sales Rep](#)
- [How to Order?](#)
- [MSDS Safety Sheets](#)
- [Part # Cross Ref](#)
- [Quote Request](#)
- [RoHS Initiative](#)
- [Sample Request](#)

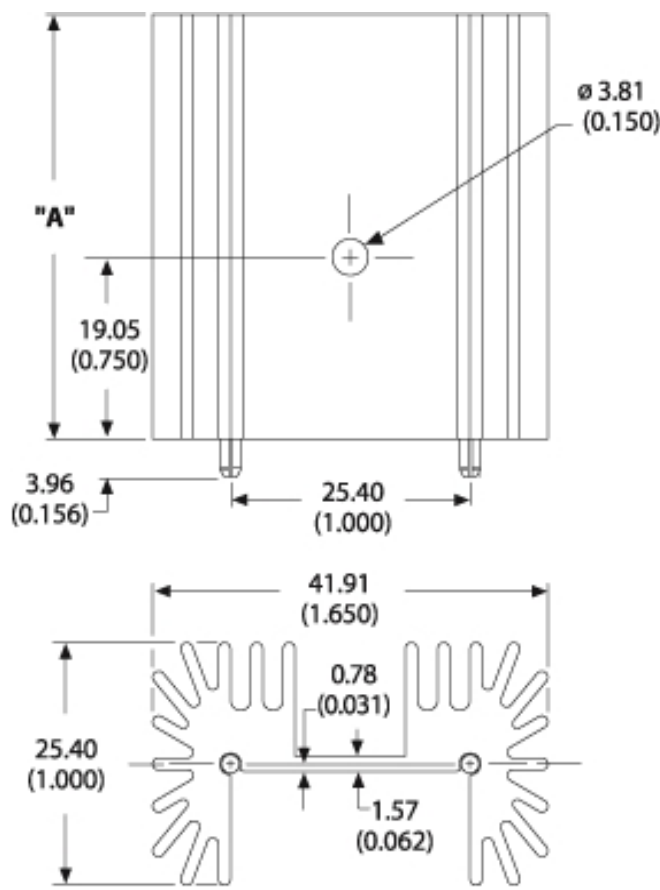
For use with TO -220/TO -218/TO -247/Multiwatt packages

Printer friendly version

Part Number - 6400BG

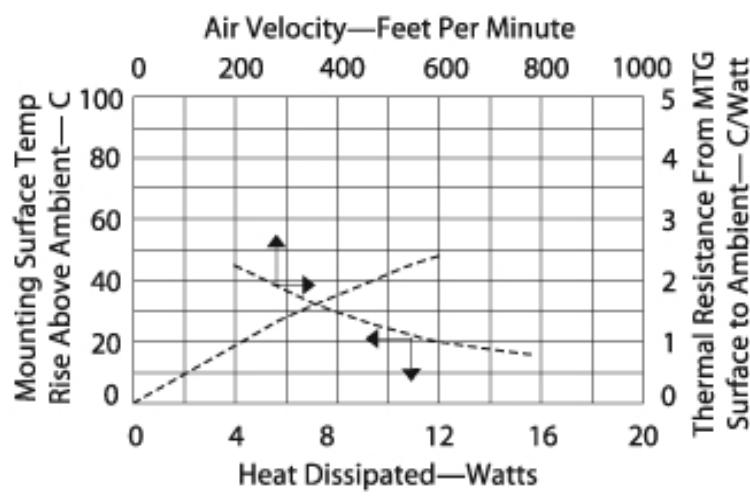


Mechanical Outline Drawing



A Dim 63.50

Thermal Curves



Thermal Resistance	2.70
---------------------------	------

Thermal resistance value is based on a 75°C rise in natural convection

Product Information

Part #	Description	Finish	Board Mounting
6400BG	High power extruded heat sink with large radial fins and straight pins	Black Anodize	N/A

Not Exactly what you need?

We offer several options for those applications which require a more unique solution. For slight modifications of this part or other attachment options, finishes, and interface materials, contact your [local representative](#). Challenge us with your thermal requirements - we can design custom solutions.