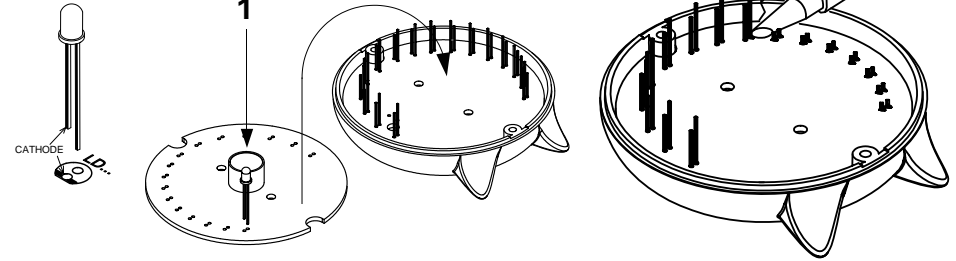


8 LEDs



START

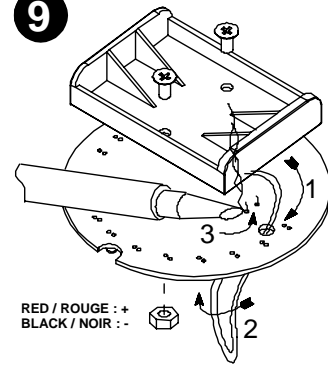
1 Resistor - Weerstand - Résistance - Widerstand - Resistencia - Motstand - Vastus - Resistenze

◇ R1:47K (Yellow, Purple, Orange) -(Geel, Paars, Oranje) -(Jaune, Violet, Orange) -(Gelb, Violet, Orange) -(Gel, Lila, Orange) -(Keltainen, Purppura, Oranssi) -(Amarillo, Morado, Naranja) -(Amarelo, Violeta, Laranja) -(Giallo, Viola, Aranciato)

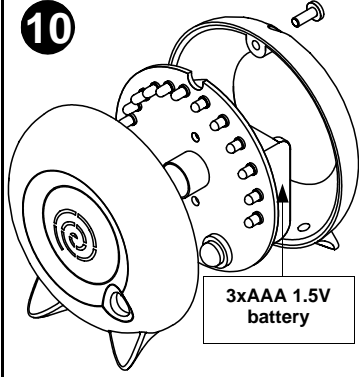
◇ R2, R3, R4, R5, R6 : 330 (Orange, Orange, Brown) -(Oranje, Oranje, Bruin) -(Orange, Orange, Brun) -(Orange, Orange, Braun) -(Orange, Orange, Brun) -(Oranssi, Oranssi, Ruskea) -(Naranja) -(Naranja, Marrón) -(Laranja, Laranja, Castanho) -(Aranciato, Aranciato, Marrone)

◇ R7, R8 : 0 (Black) -(zwart) -(noir) -(Schwarz) -(Svart) -(Musta) -(Negro) -(Preto) -(Nero)

9



10



DIAGRAM

4V5 DC

SW1

BUZ1

LD1-LD16

1 2 3 4 5 6 7 8 9 10 11 12 13 14 15 16
1' 2' 3' 4' 5' 6' 7' 8' 9' 10' 15' 20' 25' 30' 45' 60'

STOP

2 IC

Watch the position of the notch!
Attention à la position de l'encoche!

◇ IC1

3 CAPACITOR

◇ C1 : 100nF (104) μ1

4 ELECTROLYTIC CAPACITOR

Watch the polarity!
Att. à la polarité!

◇ C2: 47μF

5 PUSHBUTTON

◇ SW1

6 TRANSISTOR

◇ T1 : BC547

7 BUZZER

◇ BUZ1