

INCH-POUND

MS27291F
6 February 2004
SUPERSEDING
MS27291E(USAF)
31 January 1994

DETAIL SPECIFICATION SHEET

SUPPORT, CABLE, ELECTRICAL CONNECTOR

Inactive for new design for the Air Force after 14 November 1977. For new design, use MIL-DTL-83723, series III, which is interchangeable.

This specification is approved for use by all Departments and Agencies of the Department of Defense.

The requirements for acquiring the product described herein shall consist of this specification sheet and MIL-DTL-26500.

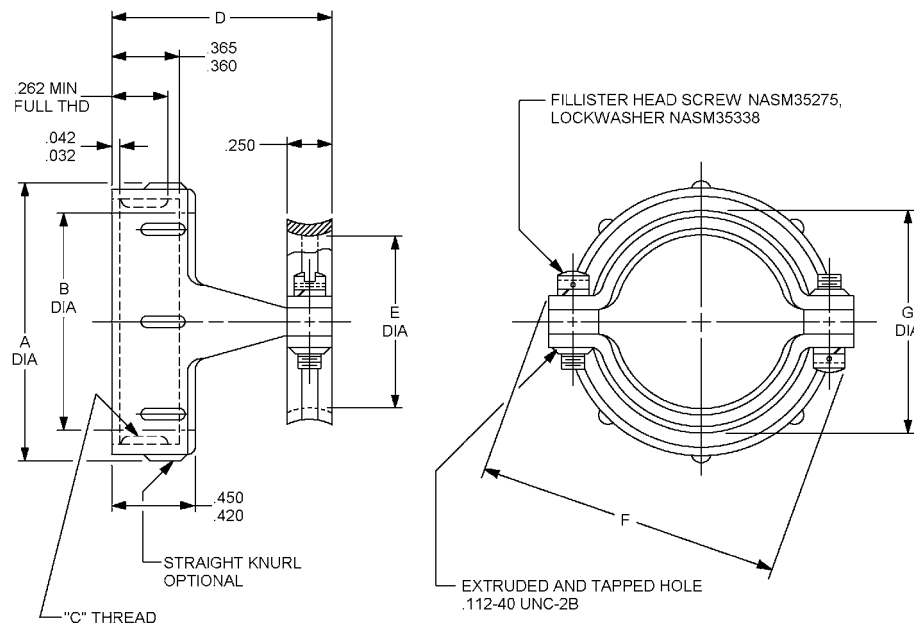


FIGURE 1. Dimensions and configurations.

MS27291F

MS PIN <u>7/</u>	For use with connector class	Shell size	A max dia	B dia ± .005
MS27291-1	R, F	10	.731	.459
MS27291-101	G	10	.731	.459
MS27291-2	R, F	12	.919	.636
MS27291-201	G	12	.919	.636
MS27291-3	R, F	14	.981	.698
MS27291-301	G	14	.981	.698
MS27291-4	R, F	16	1.106	.823
MS27291-401	G	16	1.106	.823
MS27291-5	R, F	18	1.231	.941
MS27291-501	G	18	1.231	.941
MS27291-6	R, F	22	1.481	1.191
MS27291-601	G	22	1.481	1.191
MS27291-13	R, F	8	.606	.334
MS27291-701	G	8	.606	.334
MS27291-14	R, F	20	1.356	1.066
MS27291-801	G	20	1.356	1.066
MS27291-15	R, F	24	1.606	1.316
MS27291-901	G	24	1.606	1.316

FIGURE 1. Dimensions and configurations – Continued.

MS27291F

MS PIN	For use with connector class	Shell size	"C" Nom UNEF-2B thread	D ± .015	E dia ± .015	F max	G dia max.
MS27291-1	R, F	10	.5625-24	.935	.270	.914	.435
MS27291-101	G	10	.5625-24	.935	.270	.914	.435
MS27291-2	R, F	12	.750	.935	.400	1.026	.565
MS27291-201	G	12	.750	.935	.400	1.026	.565
MS27291-3	R, F	14	.8125	1.170	.460	1.090	.625
MS27291-301	G	14	.8125	1.170	.460	1.090	.625
MS27291-4	R, F	16	.9375	1.170	.610	1.250	.775
MS27291-401	G	16	.9375	1.170	.610	1.250	.775
MS27291-5	R, F	18	1.0625	1.170	.690	1.358	.855
MS27291-501	G	18	1.0625	1.170	.690	1.358	.855
MS27291-6	R, F	22	1.3125	1.170	.940	1.604	1.105
MS27291-601	G	22	1.3125	1.170	.940	1.604	1.105
MS27291-13	R, F	8	.4375	.935	.186	.789	.351
MS27291-701	G	8	.4375	.935	.186	.789	.351
MS27291-14	R, F	20	1.1875	1.170	.816	1.481	.981
MS27291-801	G	20	1.1875	1.170	.816	1.481	.981
MS27291-15	R, F	24	1.4375	1.170	1.066	1.729	1.231
MS27291-901	G	24	1.4375	1.170	1.066	1.729	1.231

FIGURE 1. Dimensions and configurations – Continued.

MS27291F

MS PIN	For use with connector class	Shell size	A max dia.	B dia ± .005	“C” -36NS2A thread
MS27291-702	E	08	.606	.334	.4340
MS27291-102	E	10	.731	.459	.5634
MS27291-202	E	12	.919	.631	.7334
MS27291-302	E	14	.981	.698	.8032
MS27291-402	E	16	1.106	.823	.9302
MS27291-502	E	18	1.231	.941	1.0362
MS27291-802	E	20	1.356	1.066	1.1611
MS27291-602	E	22	1.481	1.191	1.2862
MS27292-902	E	24	1.606	1.316	1.1111

MS PIN	For use with class connector	Shell size	D ± .015	E dia. ± .015	F max	G dia max
MS27291-702	E	08	.935	.186	.769	.351
MS27291-102	E	10	.935	.270	.914	.435
MS27291-202	E	12	.935	.400	1.026	.565
MS27291-302	E	14	1.170	.460	1.090	.625
MS27291-402	E	16	1.170	.610	1.250	.775
MS27291-502	E	18	1.170	.690	1.358	.855
MS27291-802	E	20	1.170	.816	1.481	.981
MS27291-602	E	22	1.170	.940	1.604	1.105
MS27292-902	E	24	1.170	1.066	1.729	1.231

FIGURE 1. Dimensions and configurations – Continued.

NOTES:

1. Dimensions are in inches.
2. Unless otherwise specified, tolerances are .005 three place decimals and .02 for two place decimals.
3. All threads are in accordance with FED-STD-H28.
4. Remove all burrs and sharp edges.

FIGURE 1. Dimensions and configurations – Continued.

REQUIREMENTS

Dimensions and configurations: See figure 1.

Materials:

Cable strap; aluminum alloy in accordance with SAE-AMS-QQ-A-367 or ASTM-B209 or stainless steel type, 300 or 216 series. Cable strap for use with class R and F connectors. For aluminum alloy, anodize in accordance with MIL-A-8625 or suitable hard anodizing process to meet the performance requirements of MIL-DTL-26500 and MIL-DTL-83723. For stainless steel the finish shall be black oxide or equivalent. Cable strap for use with class G connectors; for stainless steel, chromium plating in accordance with SAE-AMS-QQ-C-320, class 2a, type II, .0002 minimum thickness.

Cable support; aluminum alloy in accordance with ASTM-B85 composition 13, A13, A380, or 380. Cable support use with class R and F connectors; for aluminum alloy, in accordance with MIL-A-8625 or suitable hard anodizing process to meet the performance requirements of MIL-DTL-26500 and MIL-DTL-83723. Cable support for use with class G connectors; for aluminum alloy, chromium plating in accordance with SAE-AMS-QQ-C-320, class 2a, type II, .0002 minimum thickness.

Changes from previous issue. Marginal notations are not used in this revision to identify changes with respect to the previous issue due to the extent of the changes.

Part or Identifying Number (PIN): MS27291-1.

Referenced documents. In addition to MIL-DTL-26500, this document references the following:

ASTM B85
ASTM B290
MIL-A-8625
MIL-DTL-26500
MIL-DTL-83723
SAE-AMS-QQ-320
SAE-AMS-QQ-367
NASM35275
NASM35338

MS27291F

CONCLUDING MATERIAL

Custodians:
Air Force - 11
DLA - CC

Preparing activity:
DLA - CC

(Project 5935-4419-011)

Review activities:
Air Force - 19, 99

NOTE: The activities listed above were interested in this document as of the date of this document. Since organizations and responsibilities can change, you should verify the currency of the information above using the ASSIST Online database at <http://www.dodssp.daps.mil>.