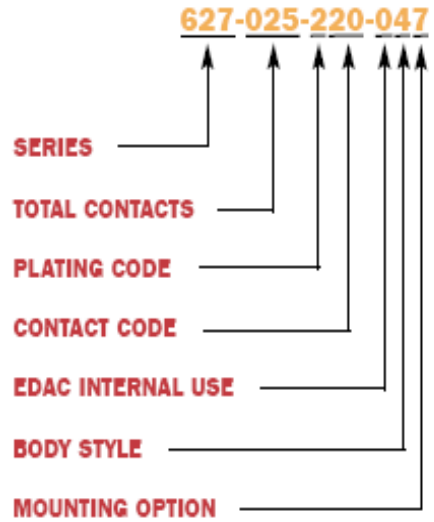




627/628 SERIES ORDERING CODE

Example:



SERIES

627Plug
628Receptacle

TOTAL CONTACTS

009, 015, 025, 037, 050

PLATING CODE

2Gold Flash (Class 3)
315µ" (0.38µm) (Class 2)
630µ" (0.76µm) (Class 1)

CONTACT CODE

20PC tail .125" (3.18mm)
21PC tail .165" (4.18mm)
22Solder cup termination
28Ferrite filter

EDAC INTERNAL USE

0Indicates generic internal use code

BODY STYLE

4Metal covered .276" (7.00mm) low profile
5Metal covered .472" (12.00mm) high profile
6Metal covered machined contacts low profile

MOUNTING OPTION

1125" (3.18mm) dia. through-hole
2#4-40 UNC threaded inserts
3#4-40 UNC threaded standoffs
6#4-40 UNC threaded insert with boardlocks
7#4-40 UNC threaded standoff with boardlocks
8#4-40 UNC threaded fixed standoffs

FOR MORE INFORMATION PLEASE EMAIL edac@edac.net

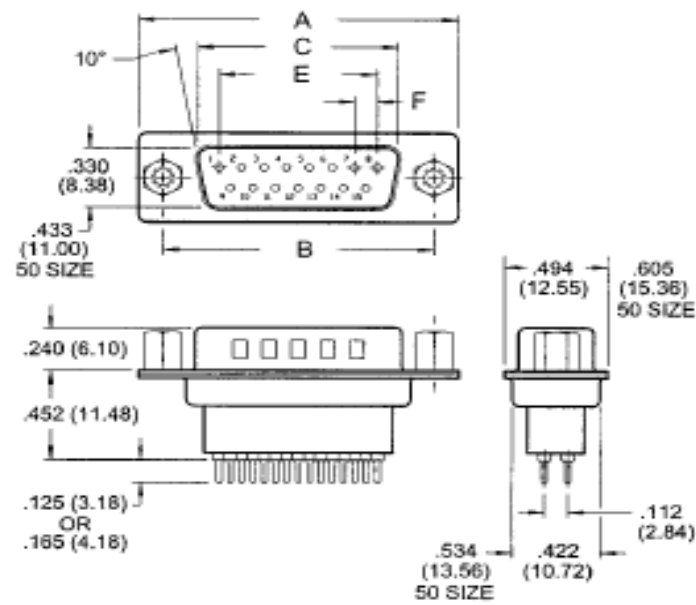
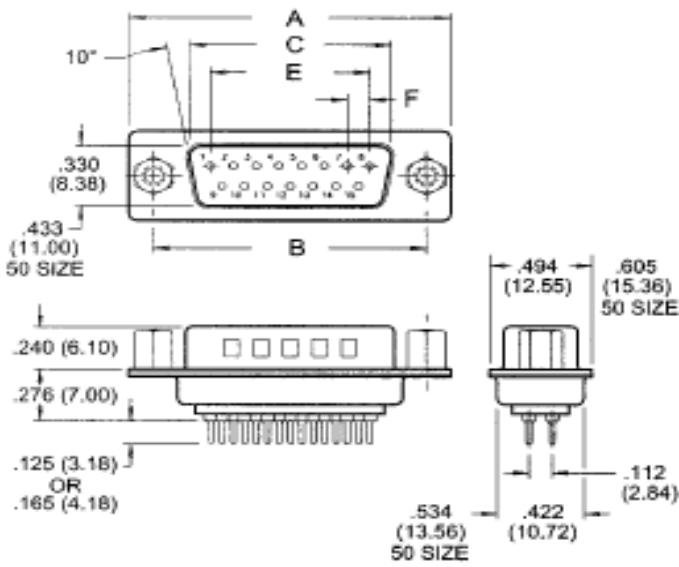
Phone: 416-754-3322

Fax: 416-754-3299

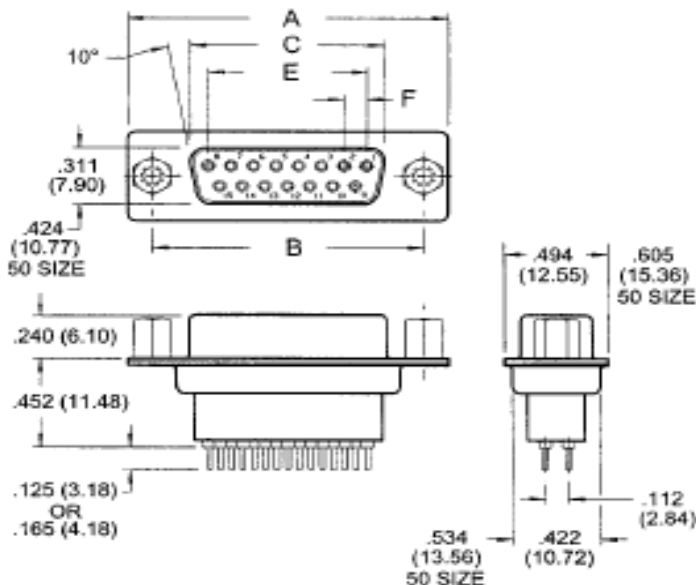
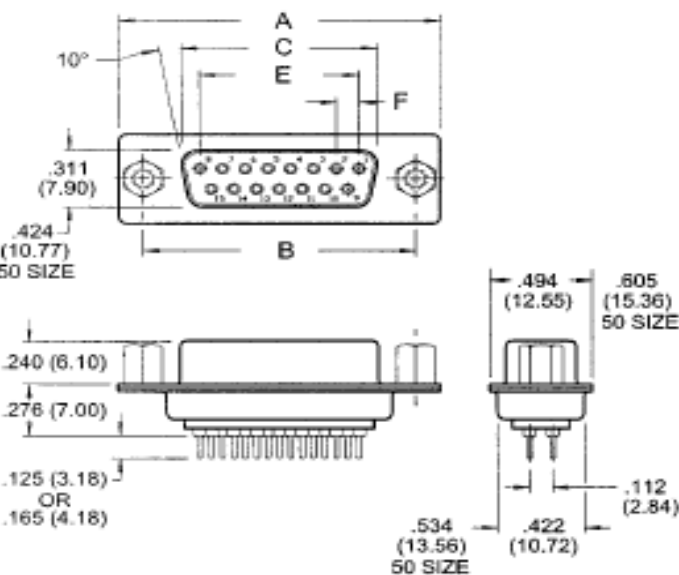
LOW PROFILE

PLUG 627 SERIES

HIGH PROFILE



RECEPTACLE 628 SERIES



NUMBER OF CONTACTS	A		B		C PLUG		C RECEPTACLE		E		F	
	Inch	(mm)	Inch	(mm)	Inch	(mm)	Inch	(mm)	Inch	(mm)	Inch	(mm)
9	1.214	(30.84)	.984	(24.99)	.667	(16.92)	.640	(16.26)	.432	(10.97)	.108	(2.74)
15	1.545	(39.24)	1.312	(33.32)	.994	(25.25)	.987	(24.56)	.756	(19.20)	.108	(2.74)
25	2.088	(53.04)	1.852	(47.04)	1.534	(38.96)	1.508	(38.30)	1.304	(33.12)	.109	(2.76)
37	2.730	(69.34)	2.500	(63.50)	2.182	(53.08)	2.156	(54.76)	1.956	(49.68)	.109	(2.76)
50	2.640	(67.05)	2.406	(61.11)	2.080	(52.83)	2.054	(52.17)	1.740	(44.20)	.109	(2.76)

FOR MORE INFORMATION PLEASE EMAIL edac@edac.net

Phone: 416-754-3322

Fax: 416-754-3299