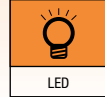


Choose one component from each of the coloured sections to assemble a complete switch.
For other options or further information please contact your local sales office.



A Accessories



Lens, translucent or opaque/ribbed, one colour for single indicator and pushbutton actuators

Colour	Part No.	Lens
● Red	03-901.2	Translucent
● Yellow	03-901.4	Translucent
● Green	03-901.5	Translucent
● Blue	03-901.6	Translucent
○ White	03-901.9	Opaque/ribbed
● Black	03-901.0	Opaque/ribbed



Lens, translucent/ribbed, two colours for single indicator and pushbutton actuators

Colour	Part No.
● Red/Green	03-902.2/5
● Red/Red	03-902.2/2
○ White/White	03-902.9/9



Lens, translucent or opaque/ribbed, halved for double pushbutton actuators

Colour	Part No.	Lens
● Red	03-921.2	Translucent
● Yellow	03-921.4	Translucent
● Green	03-921.5	Translucent
● Blue	03-921.6	Translucent
○ White	03-921.9	Opaque/ribbed
● Black	03-921.0	Opaque/ribbed

A Accessories



Lens, translucent or opaque/ribbed, halved for mechanically interlocked double pushbutton actuators

Colour	Part No.	Lens
● Red	03-923.2	Translucent
● Yellow	03-923.4	Translucent
● Green	03-923.5	Translucent
● Blue	03-923.6	Translucent
○ White	03-923.9	Opaque/ribbed
● Black	03-923.0	Opaque/ribbed



Front bezel flat and raised, black plastic

Image	Part No.	Product description
1	03-965.0	Front bezel flat
2	03-967.0	Front bezel raised



Sprayproof cover for IP65 sealing and flap guard for pushbutton switch

Image	Part No.	Product description
1	03-924	Sprayproof cover
2	03-925	Flap guard

Series 03

21.2mm x 41.2mm IP40/IP65 10A 400VAC



Choose one component from each of the coloured sections to assemble a complete switch.
For other options or further information please contact your local sales office.

A Accessories



Blanking plate



Lens remover for flat bezel, lens remover for raised bezel and LED remover

Image	Part No.	Image	Part No.	Product description
	03-949.0	1	02-905	Lens remover for flat bezel
		2	98-968	Lens remover for raised bezel
		3	03-996	LED remover

Actuator with snap-action switching element

Switching system

1 or 2 self-cleaning, snap-action switching elements.
1 or 2 double-throw contacts.

Material

Material of contact

Standard version:

Silver (U >20V)

Special versions: (on request)

Gold/Silver 700 Au/300 Ag (U <50V)

Silver/Palladium 700 Ag/300 Pd (U >20V) for atmospheres containing sulphur

Switch housing

Thermosetting material, heat-resistant

Indicator housing

Polyamide

Mechanical characteristics

Terminals

Screw terminal (with self-lifting clip):

max. wire cross-section, 2x2.5mm²

max. wire cross-section of stranded cable, 2x1.5mm²

Plug-in terminal 4.8x0.8mm:

max. wire cross-section of stranded cable, 1mm² can also be used as soldering terminal

max. wire cross-section, 2x1mm²

max. wire cross-section of stranded cable: 2x0.75mm²

Plug-in terminal 4.8x0.8mm:

max. wire cross-section of stranded cable, 2.5mm² can also be used as soldering terminal

max. wire cross-section: 2x1mm²

max. wire cross-section of stranded cable, 2x0.75mm²

Actuating force

6N ... 12N

Actuating travel

5mm

Mechanical lifetime

Momentary action 2 million operations

Maintained action 1 million operations

Storage temperature

-30°C ... +85°C

Electrical characteristics

Standards

The switches comply with the "Standards for low-voltage switching devices" EN IEC 61058-1

Rated insulation voltage

400VAC/440VDC, as per IEC 61058-1

Conventional free air thermal current

10A.

The maximum current in continuous operation and at ambient temperature not exceeding the quoted maximum values.

Switch rating

400VAC, 10A, cosφ 0.95, as per IEC 61058-1

250VAC, 10A, as per UL

Electric strength

2500VAC, 50Hz, 1min. between all terminals and earth, as per IEC 61058-1

Environmental conditions

Storage temperature

-30°C ... +85°C

Service temperature

-25°C ... +55°C

For indicators and illuminated pushbuttons mounted as a block, make sure the heat can escape freely.

Protection degree

Front side IP40, IP65 with spray cover, as per IEC 60529

Vibration resistance

10g at 10-2000Hz, amplitude 1.0mm, as per IEC 60068-2-6

Approvals

Approbations

CB (IEC 61058-1/92)

CSA

ENEC (EN 61058-1/92)

Germanischer Lloyd

UL

Declaration of conformity

CE

Buzzer

Buzzer system

System

Contactless electronic buzzer with IC oscillator

Material

Alarm buzzer case

Duroplastic

Front cap

Polycarbonate (PC)

Front bezel

Polymethylacrylate

Mechanical characteristics

Terminals

Screw terminal

Operating temperature

-25 °C ... +55 °C

Storage temperature

-40 °C ... +85 °C

Front protection

IP40

Electrical characteristics

Frequency (tone)

Approx. 2.8 kHz

Sound pressure

85 dB (A) ±8 dB at a distance of 0.1 m

Volume variable with a 1 M Ω potentiometer or corresponding fixed resistor

Operation Voltage/Current

typical

10 ... 55 VAC 10 ... 75 VDC

25 mA 15 mA

Approvals

Approbations

CB (IEC 61058-1/92)

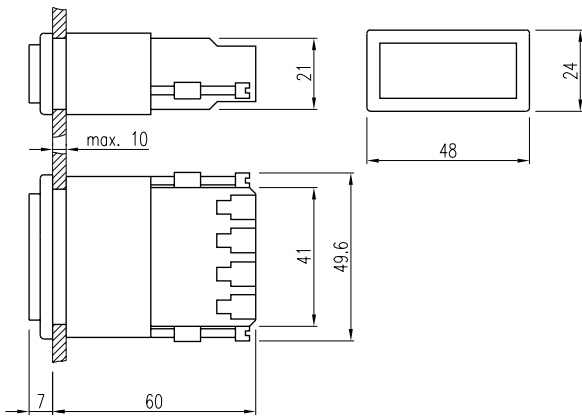
ENEC (EN 61058-1/92)

Declaration of conformity

CE

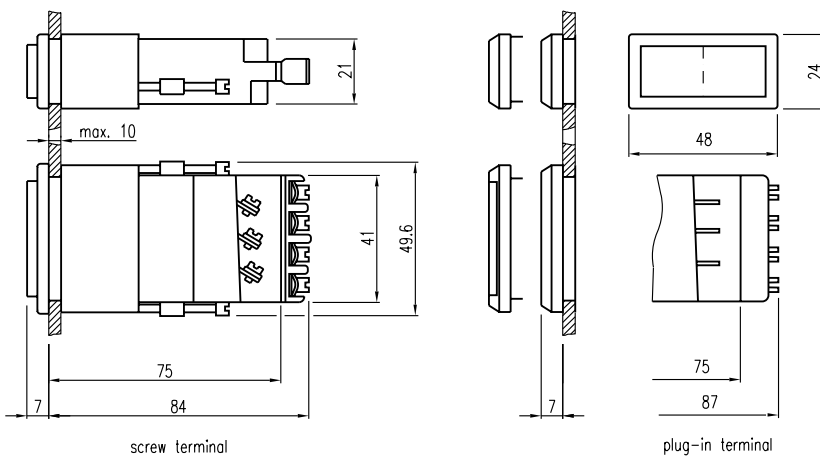
03 Indicator

Single



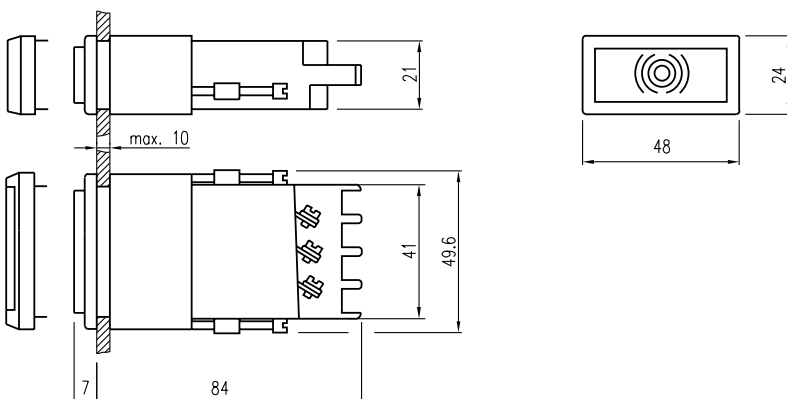
03 Pushbutton

Illuminated, Raised, Single



03 Buzzer

Raised



03 Cut-outs, Raised Mounting

