



Ordering number CN12159_LENA-S-DL

Family	Lena	FWHM	11 degrees
Type	Reflector	Efficiency	(simulated) 0 %
LED	BXRA-C0800/1200/2000	cd/lm	-
Color	Metal	Gerber File	Available
Diameter	111 mm		
Height	87.8 mm		
Style	Round		
Optic Material	PC		
Holder Material	PC		
Fastening	Screw		
Status	Ready		



Ordering number CN12164_LENA-M

Family	Lena	FWHM	19 degrees
Type	Reflector	Efficiency	(simulated) 0 %
LED	BXRA-C0800/1200/2000	cd/lm	-
Color	Metal	Gerber File	Available
Diameter	111 mm		
Height	86.2 mm		
Style	Round		
Optic Material	PC		
Holder Material	PC		
Fastening	Screw		
Status	Ready		



Ordering number CN12168_LENA-M-DL

Family	Lena	FWHM	20 degrees
Type	Reflector	Efficiency	(simulated) 0 %
LED	BXRA-C0800/1200/2000	cd/lm	-
Color	Metal	Gerber File	Available
Diameter	111 mm		
Height	87.8 mm		
Style	Round		
Optic Material	PC		
Holder Material	PC		
Fastening	Screw		
Status	Ready		



Ordering number CN12160_LENA-W-DL

Family	Lena	FWHM	46 degrees
Type	Reflector	Efficiency	(simulated) 0 %
LED	BXRA-C0800/1200/2000	cd/lm	-
Color	Metal	Gerber File	Available
Diameter	111 mm		
Height	87.8 mm		
Style	Round		
Optic Material	PC		
Holder Material	PC		
Fastening	Screw		
Status	Ready		



PRODUCT DATASHEET

Lena series

last update 26/4/2012



NOTE: The typical divergence will be changed by different color, chip size and chip position tolerance. The typical total divergence is the full angle measured where the luminous intensity is half of the peak value.



PRODUCT DATASHEET Lena series

last update 26/4/2012



GENERAL INFORMATION

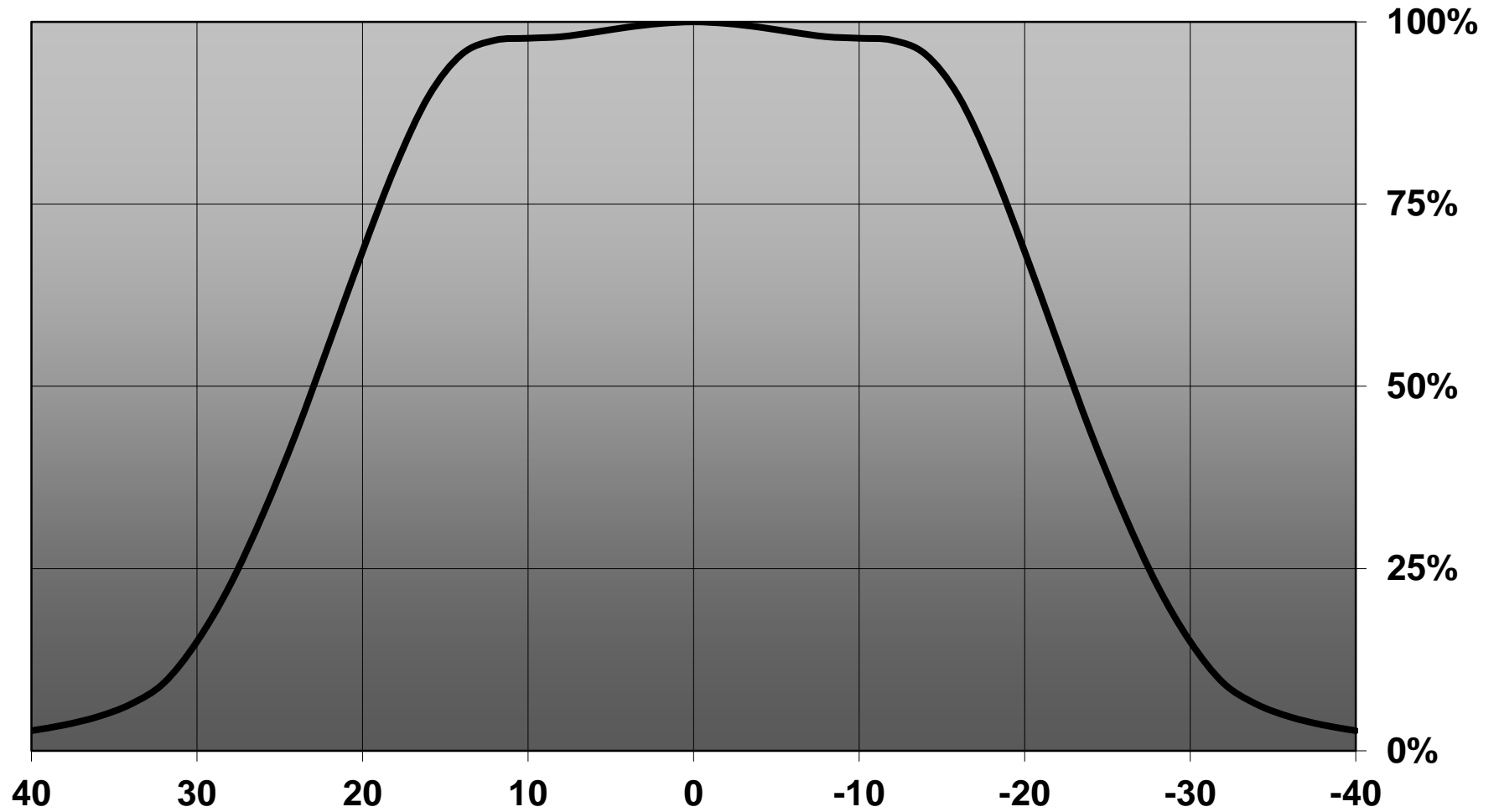
- Product series especially designed & optimized for BXRA-C0800/1200/2000 series of LEDs.
- Special care taken to make light distribution as uniform as possible.
- Lens material optical grade PC with high UV and temperature resistance (120 degrees of Celcius / 248 degrees of Fahrenheit). Allows use of high current and temperature conditions.

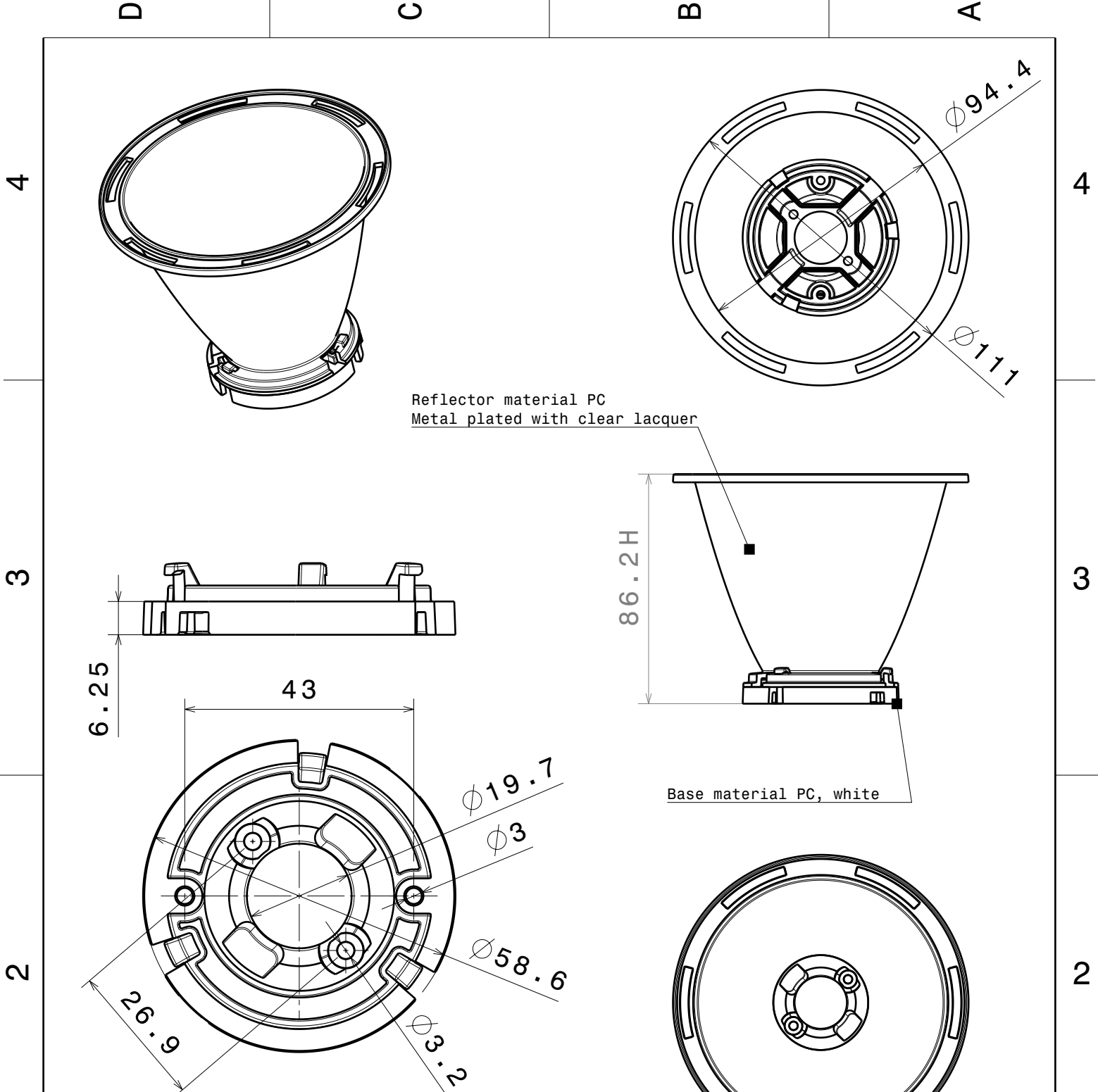
Please find more information about used materials from below:

http://ledil.fi/sites/default/files/Documents/Technical/Material/PC%20Makrolon%202400_2407_2456_2458-UL.pdf

- Reflector is made of aluminium coated PC (120 degrees of Celcius / 248 degrees of Fahrenheit) with protective lacquer (110 degrees of Celcius / 230 degrees of Fahrenheit).
- Optic holder molded by high quality PC material (120 dergees of Celcius / 248 degrees of Fahrenheit).

Relative intensity of CA12160_Lena-W-Diffuser-Lens_BXRA-W1203





NOTE: using optional sublens, add 1.6mm to dimension H.

This drawing is our property. It can't be reproduced or communicated without our written agreement.



Ledil Oy
Salorankatu 10
FIN-24240 SALO
Finland

DRAWING TITLE

Datasheet Lena-BXRA-assembly

DRAWN BY pl	DATE 13.07.2011	SIZE A4		DRAWING NUMBER --	REV 1
CHECKED BY pl	DATE 26.04.2011	SCALE 1:2	WEIGHT (g)	SHEET 1/1	
DESIGNED BY pl	DATE 01.04.2011				

D

A