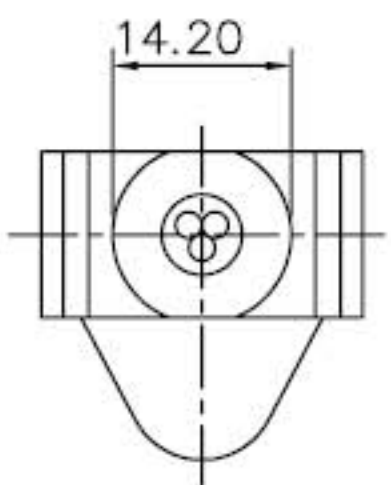
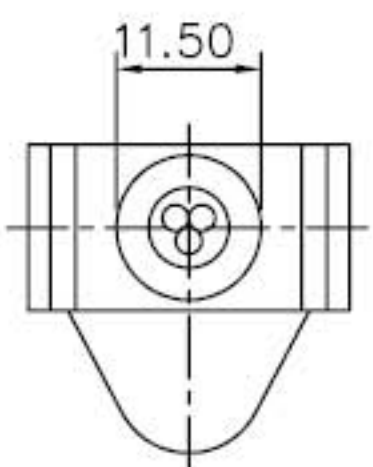
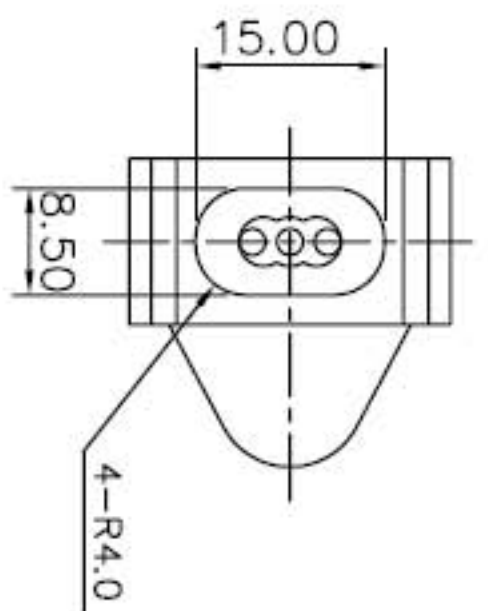
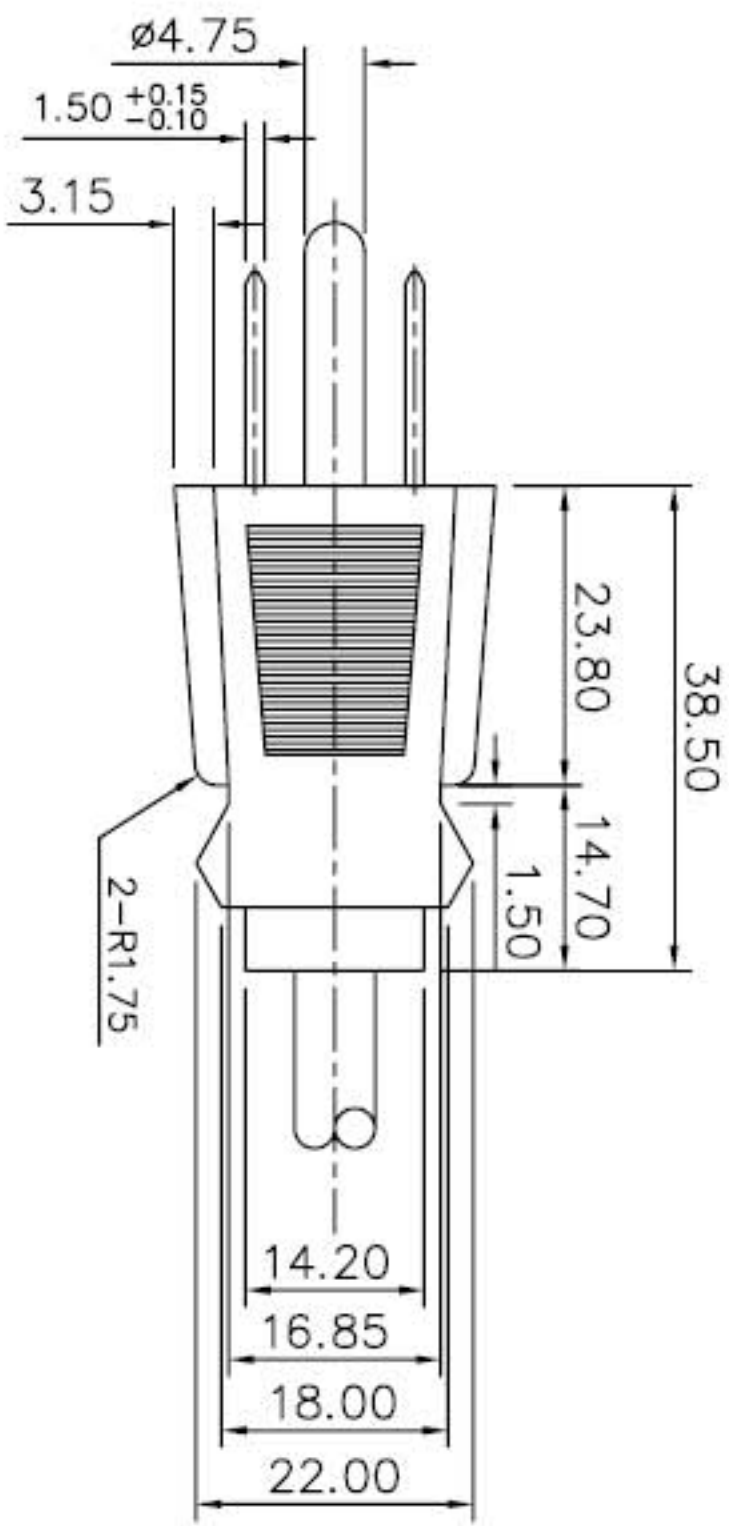
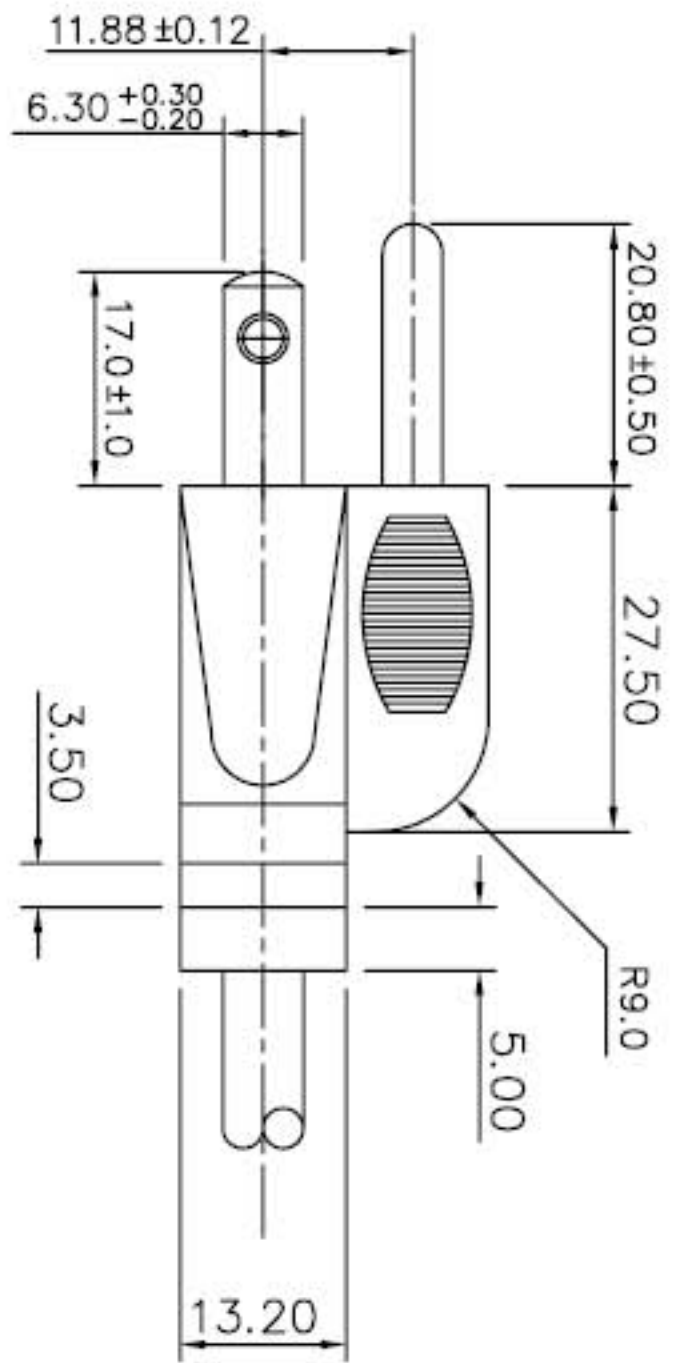
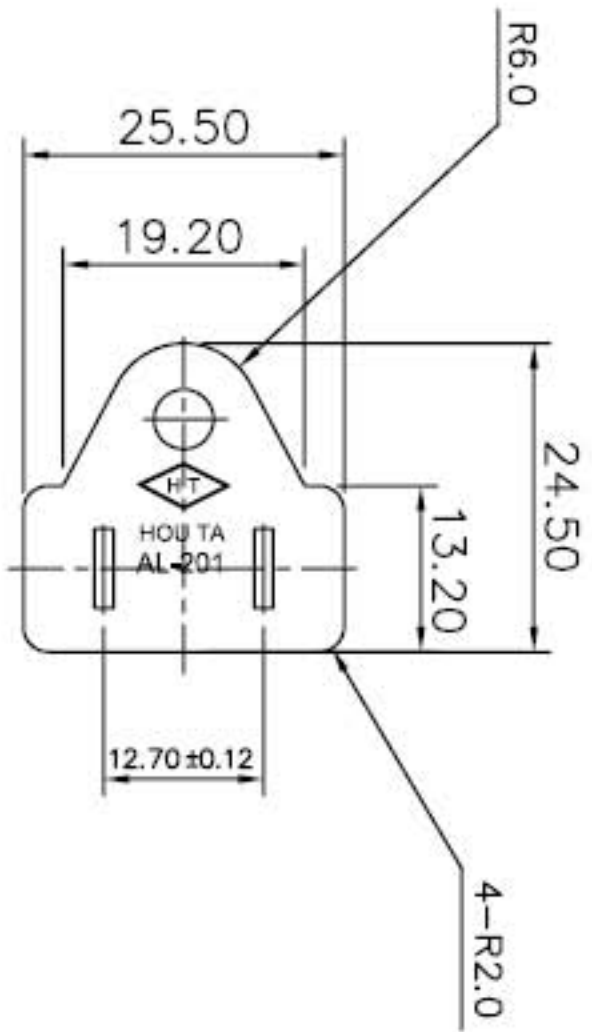


單位:MM
UNIT

修改日期	修改日期	修改日期	繪圖日期
			04/13/2012
審查者	繪圖者	審查者	繪圖者
			張明誠

品名 JA-201 00 顏色 WHITE 規格 SVT 18AWG 3C 75°C 3M

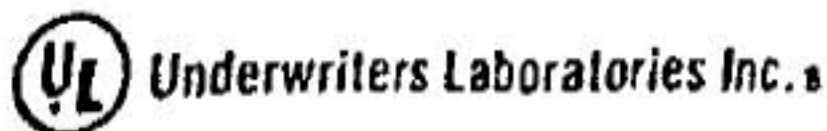
捷森電子工業股份有限公司



品名: JS-201	單位: MM	繪圖: 張明誠
DESCRIPTION	UNIT	DRAWN BY
項目: 成品圖	比例: 1:1	Michael Chang
ITEM: FINISH PRODUCT	SCALE	核: 張清富
		Chin.Fu.Chang



02-19-1990



HOU TA ELECTRIC CORDS & PLUGS CO LTD
 MR TSAO CHUNG DENG
 NO 136 TA FU RD
 SAN CHIAO TSUN
 SHEN KANG HSIANG
 TAICHUNG HSIEN TAIWAN

插頭證書

Your most recent listing is shown below. Please review this information and report any inaccuracies to the UL Engineering staff member who handled your Assignment.

ELBZ July 2, 1991
 Card Sets and Power Supply Cards

HOU TA ELECTRIC CORDS & PLUGS CO LTD , E136625 (R)
 TAICHUNG HSIEN TAIWAN

NO 136 TA FU RD SAN CHIAO TSUN SHEN KANG HSIANG
 LOOK FOR LISTING MARK ON PRODUCT

654511001

Underwriters Laboratories Inc.®

F11019221
166

For information on placing an order for UL Listing Cards in a 3 x 5 inch card format, please refer to the enclosed ordering information.

UNDERWRITERS LABORATORIES INC.

An independent, not-for-profit organization testing for public safety

333 Pfingsten Road
 Northbrook, Illinois 60062-2094, USA
 TOLL 773-8300
 Telex: 6802543343
 FAX No (708) 272-8129

1285 West Whelan Road
 Melville, L.I., New York 11747-3081, USA
 818/271-8700
 Telex: 6817018
 FAX No. (516) 271-8218

1633 Scott Blvd.
 Santa Clara, California 95050-8189, USA
 408/965-3400
 Telex: 184218
 FAX No (408) 298 2236

17 Laboratory Drive
 P.O. Box 13985
 Research Triangle Park,
 North Carolina 27709 3925, USA
 919/549-1800
 Telex: 6827828
 FAX No. (919) 549-1847

INDEX

ATTACHMENT PLUG CAPS:

NEMA CONFIGURATION

Cat. No.	Cord AWG	Electrical A/V	Sec.	Fig.	C-UL	Outdoor Use (Y/N)
AL-101	18, 16/2	10, 13/125	2	1	No	N
AL-201, -200	18, 16, 14, 12/3	10, 13, 15, 15/125	2	2	No	N
AL-102, -102C	18, 16, 14/2	10, 13, 15/125	2	3	No	N
AL-211	18, 16, 14/3	10, 13, 15/125	2	4	No	N

IEC CONFIGURATION

Cat. No.	Cord AWG	Electrical/ A/V	Sec.	Fig.	C-UL	Outdoor Use (Y/N)
AL-401	18, 16, 14/3	10, 13, 15/125	3	1	No	N

CORD CONNECTOR BODIES:

NEMA CONFIGURATION

Cat. No.	Cord AWG	Electrical/ A/V	Sec.	Fig.	C-UL	Outdoor Use (Y/N)
AL-503	18, 16, 14/2	10, 13, 15/125	1	Non	No	N
AL-506	18, 16, 14/3	10, 13, 15/125	1	3	No	N

IEC CONFIGURATION

Cat. No.	Cord AWG	Electrical/ A/V	Sec.	Fig.	C-UL	Outdoor Use (Y/N)
AL-501, -502	18, 16, 14/3	10, 13, 15/125	1	1, 2	No	N
AL-500	18/3	5/250	1	5	Yes	N
AL-507, -507B	18/2	5/125	1	6, 7	Yes	N
AL-600	16, 14, 12/3	13, 18, 20/125	1	8	Yes	N

DESCRIPTION

PRODUCT COVERED:

USU - Unlisted Component - Cord Connector Bodies, Cat Nos. AL-501, AL-502, AL-503, AL-506, and AL-600.

CNU - Unlisted Component - Cord Connector Bodies, Cat No. AL-500, AL-507, AL-507B, and AL-600.

ELECTRICAL RATING:

Cat. No.	Config.	Cord, AWG	Amp/Volts	Fig.	C-UL
AL-501, -502	C13	18, 16, 14	10, 13, 15/125	1,2	No
AL-503	C9	18, 16, 14	10, 13, 15/125	Non	No
AL-506	5-15R	18, 16, 14	10, 13, 15/125	3	No
AL-500	C5	18	5/250	5	Yes
AL-507, -507B	C7	18	5/125	6,7	Yes
AL-600	C19	16, 14, 12	13, 18, 20/125	8	Yes

ENGINEERING CONSIDERATIONS (NOT FOR FIELD REPRESENTATIVE'S USE):

For use only in Applicant's cord sets and power supply cords where the acceptability is determined by Underwriters Laboratories Inc.

USU - Indicates investigation to United States Standard UL 817, **Eleventh Edition.**

CNU - Indicates investigation to Canadian National Standard C22.2 No. 21-95, **Eighth Edition.**

CONDITIONS OF ACCEPTABILITY:

1. The devices have been evaluated when molded on the specific conductor size specified in this Procedure.
2. Use with any other size cord may require additional evaluation.
3. These fittings should be used only within their electrical rating.

File E245058
Project 07CA51159

January 16, 2008

REPORT

on

FLEXIBLE CORD

Hou Ta Electric Cords & Plugs Co., Ltd.
Taichung Hsien, Taiwan

Copyright © 2008 Underwriters Laboratories Inc.

Underwriters Laboratories Inc. authorizes the above named company to reproduce this Report provided it is in its entirety.

線材證書

DESCRIPTION

PRODUCT COVERED:

USL/C-UL: Types SVT, SJT, ST, SVTO, SJTO, STO, SVTOO, SJTOO, STOO, SJTW, STW, SJTOW, STOW, SJTOOW and STOOW employing Class 4, 5, 6 or 7 insulation and Class 1.5, 1.6, 1.7 or 1.8 jacket.

TECHNICAL CONSIDERATIONS (NOT FOR FIELD REPRESENTATIVE'S USE)

USL indicates compliance with UL 62.
CNL indicates compliance with CSA C22.2 No. 49.

CONSTRUCTION DETAILS:

These cords are constructed in accordance with the Standard for Flexible Cords and Cables, UL 62/CSA C22.2 No. 49 and the following:

INSULATION:

PVC Class 4 (60°C), Class 5 (75°C), Class 6 (90°C) or Class 7 (105°C).

SHIELD:

Optional.



JACKET:

PVC Class 1.5 (60°C), Class 1.6 (75°C), Class 1.7 (90°C) or Class 1.8 (105°C).

Outdoor use cords, "W" Types, must use Recognized Component - Polymeric Materials for Use in Wire, Cable and Flexible Lighting Products (QMTT2), PVC 720 Hour Sunlight Resistant Jacket Compounds with the same or higher temperature rating as the cord.

MARKING:

These cords are marked in accordance with the Standard for Flexible Cords and Cables, UL 62/CSA C22.2 No. 49.

INDEX

<u>Construction</u>	<u>United States Type</u>	<u>Canadian Type</u>	<u>Section</u>
Parallel Cords Thermoplastic:	SPT-1, SPT-2, SPT-3, NISPT-1, NISPT-2	SPT-1, SPT-2, SPT-3, NISPT-1, NISPT-2	1
Jacketed Cords Thermoplastic:	SVT, SJT, ST, SVTO, SJTO, STO, SVTOO, SJTOO, STOO, SJTW, STW, SJTOW, STOW, SJTOOW, STOOW	SVT, SJT, ST, SVTO, SJTO, STO, SVTOO, SJTOO, STOO, SJTW, STW, SJTOW, STOW, SJTOOW, STOOW	2

線材證書



Descriptive Report and Test Results

MASTER CONTRACT: 158645

REPORT: 1976057

PROJECT: 2006483

Edition 1: December 04, 2007; Project 1976057 – Toronto
Issued by K. Nguyen, P. Eng.; Reviewed by U. Weisz, P. Eng.

Edition 2: xxxx; Project 2006483 – Toronto
Issued by K. Nguyen, P. Eng.

Contents: Certificate of Compliance - Pages 1 to 2
Supplement to Certificate of Compliance – Page 1
Description and Tests – Pages 1 to 12
Appendix A - Pages 1 to 32 (attached to Engineering Report only)
Appendix B – Pages 1 to 57 (attached to Engineering Report only)

PRODUCTS

CLASS 5831 01 - WIRES - Flexible Cord

Types SPT-1, SPT-2, SPT-3, with PVC insulation, Types NISPT-1, NISPT-2, SJT, SVT, ST, with PVC insulation and jacket, rated 60C, 75C, 90C and 105C, 300V, 600V (for Type ST), FT1, FT2.

APPLICABLE REQUIREMENTS

CSA Standard C22.2 No. 49-06 - Flexible Cords and Cables.
Certification Notice
Wire and Cable No. 21 - CSA Certification Markings on CSA Certified Flexible Cords and Cables.

線材證書

This report shall not be reproduced, except in full, without the approval of CSA International.

178 Rexdale Boulevard, Toronto, ON, Canada M9W 1R3

Telephone: 416.747.4000 1.800.463.6727 Fax: 416.747.4149 www.csa-international.org

C:\Documents and Settings\Administrator\Local Settings\Temporary Internet Files\OLK16\Draft_2006483_Hou Ta.doc
DQD 507.10 Rev 2005-08-31