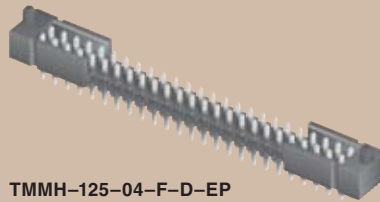


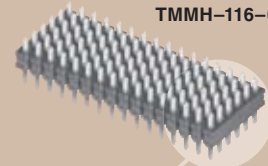


(2,00mm) .0787"

TMMH SERIES



TMMH-125-04-F-D-EP



TMMH-116-04-T-6

FLEXIBLE THROUGH-HOLE HEADER

SPECIFICATIONS

For complete specifications see www.samtec.com?TMMH

Insulator Material:
Black Liquid Crystal Polymer



Terminal Material:
Phosphor Bronze

Plating:

Sn or Au over 50µ" (1,27µm) Ni

Operating Temp Range:

-55°C to +105°C with Tin;

-55°C to +125°C with Gold

Voltage Rating:

500 VAC mated with SQW

RoHS Compliant:

Yes

Lead-Free Solderable:

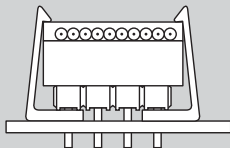
Yes

Mates with:
CLT, SQT, SQW,
ESQT, TLE, SMM,
MMS, TCSD



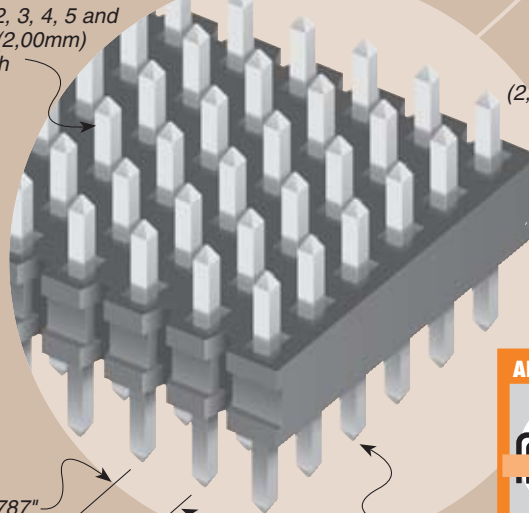
10 year Mixed Flowing Gas with 30µ" Gold
Call Samtec for maximum cycles mated with CLT

APPLICATION



Retention Clip Option (-RC)

Choice of 2, 3, 4, 5 and 6 rows on (2,00mm) .0787" pitch

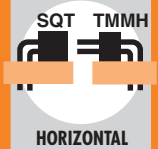


(2,00mm) .0787"

(2,00mm) .0787"

Through-hole

APPLICATIONS



CURRENT RATING		
AMBIENT TEMP	Mated with	
	ESQT	SQW
20°C	5.8A	5A
40°C	5.1A	4.6A
60°C	4.5A	4A
95°C	2.9A	2.6A

6 POSITIONS (2x3) POWERED

Note:
Some lengths, styles and options are non-standard, non-returnable.

Also Available

Press Fit
See PTT Series.

Surface Mount
See previous page.

Low Profile
See TMM Series.

Right Angle Four Row
See TMM Series.

Shrouded Four Row Vertical & Right Angle
See TMMS Series.

Paste In Hole (PIH) processing.
Contact Samtec ASP Group.

TMMH

1

NO. PINS PER ROW

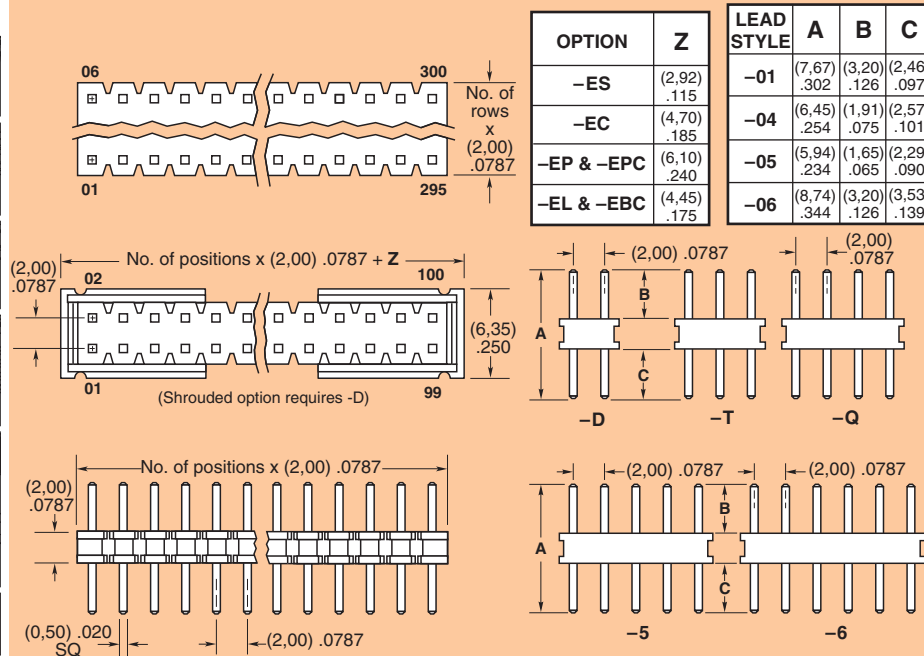
LEAD STYLE

PLATING OPTION

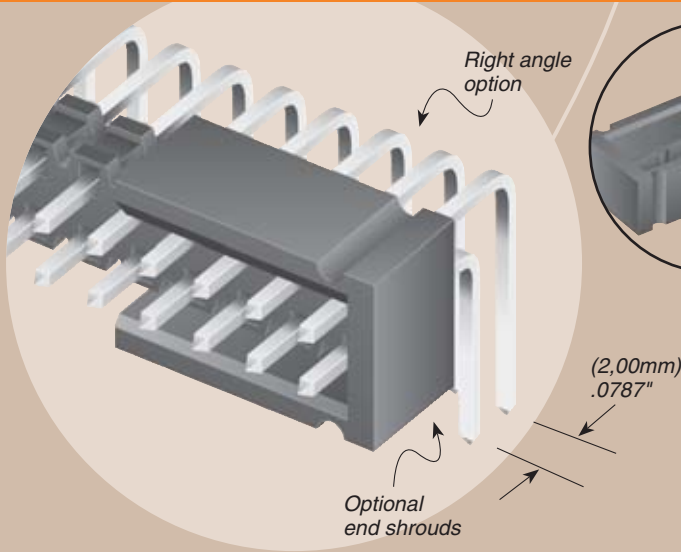
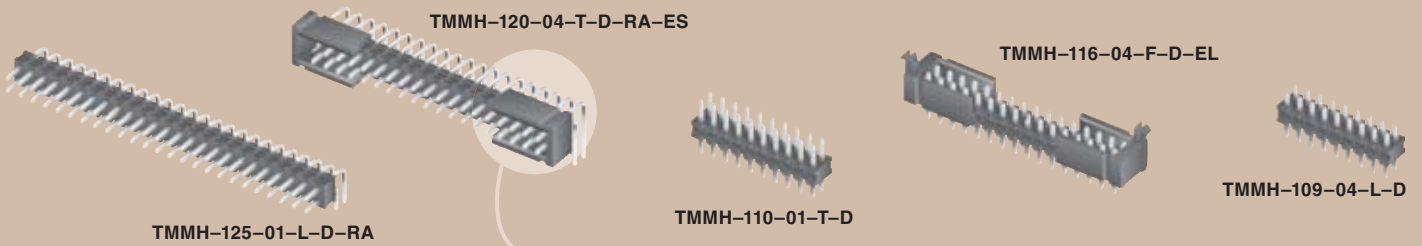
03 thru 50

Specify LEAD STYLE from chart

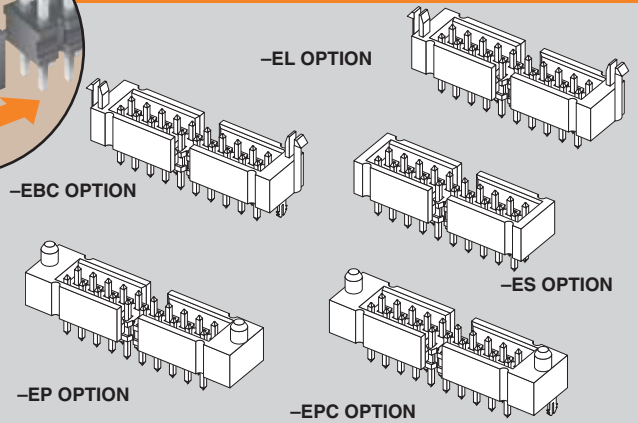
-F = Gold flash on post, Matte Tin on tail
-L = 10µ" (0,25µm) Gold on post, Matte Tin on tail
-T = Matte Tin



Due to technical progress, all designs, specifications and components are subject to change without notice.



FLEX SHROUD OPTIONS

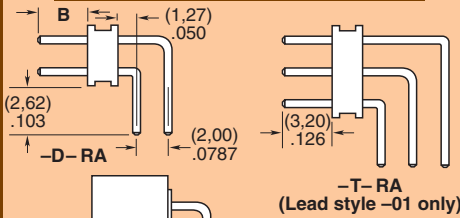


ROW OPTION

- D**
= Double Row
(Required for Flex Shroud option)
- T**
= Triple Row
- Q**
= Four Row
- 5**
= Five Row
- 6**
= Six Row

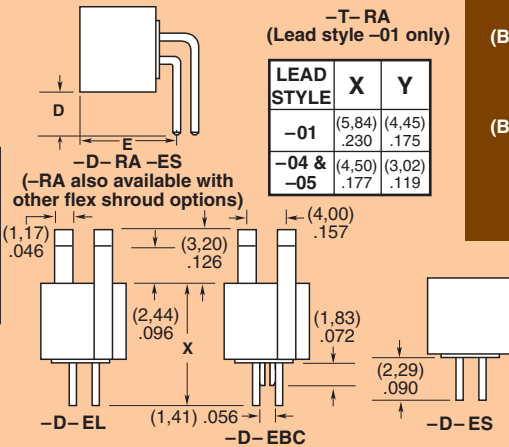
TAIL OPTION

- RA**
= Right Angle
(Double & Triple Row only)
(-ES, -EP, -EL Double Row only)
(-EC, -EBC and -EPC not available)
(-06 Lead style not available)



LEAD STYLE	X	Y
-01	(5,84) .230	(4,45) .175
-04 & -05	(4,50) .177	(3,02) .119

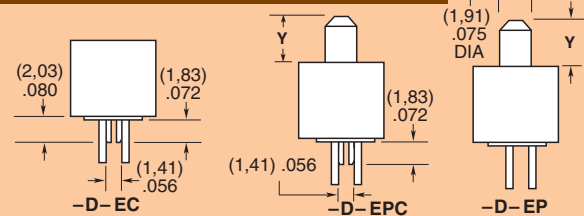
LEAD STYLE	D	E
-01	(2,34) .092	(6,60) .260
-04	(2,62) .103	(5,26) .207
-05	(3,12) .123	(5,26) .207



FLEX SHROUD OPTIONS

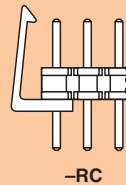
Flex Shroud requires -D row & 9 pins/row minimum
(For board-to-board interfaces. Will not mate with TCSD)

- ES**
= End Shroud
- EC**
= End Shroud with Locking Clip
(Manual placement required)
- EP**
= End Shroud with Guide Post
- EL**
= End Shroud with Board Lock
(Boards are positively locked and cannot be unmated)
- EBC**
= End Shroud with Board Lock and Locking Clip
(Boards are positively locked and cannot be unmated)
- EPC**
= End Shroud with Guide Post and Locking Clip
(Manual placement required)



OTHER OPTIONS

- “XXX”**
= Polarized Position
(Specify position of omitted pin)
- RC**
= Retention Clip
(Mates to TCSD)
(Double row only, minimum position 4 and available only -06 lead style)



Due to technical progress, all designs, specifications and components are subject to change without notice.

WWW.SAMTEC.COM