

PLEASE CHECK WWW.MOLEX.COM FOR LATEST PART INFORMATION

Part Number: [73100-0069](#)
Status: **Active**
Overview: BNC Miniature RF Connectors
Description: BNC 75 Ohm, Right Angle PCB Bulkhead Jack Receptacle, Panel Isolated, White PBT Housing, Housing Height 13.20mm, Nut and Lockwasher included

Documents:

[Drawing \(PDF\)](#) [RoHS Certificate of Compliance \(PDF\)](#)

General

Product Family	RF/Coax Connectors
Series	73100
Comments	13.20mm Profile
Overview	BNC Miniature RF Connectors
Product Name	BNC
Style	PCB
Wire/Cable Type	N/A

Physical

Cable Attachment	N/A
Gender	Jack
Keying to Mating Part	None
Orientation	Right Angle
PCB Mounting	Through Hole
PCB Thickness - Recommended	3.20mm
Packaging Type	Tray
Panel Mount	Yes
Panel Mount Method	Bulkhead
Reverse Polar	No

Electrical

Impedance	75#
-----------	-----

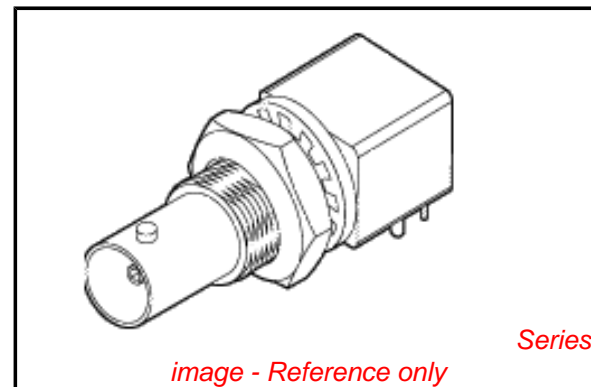
Solder Process Data

Lead-free Process Capability	Wave Capable (TH only)
Process Temperature max. C	245

Material Info

Reference - Drawing Numbers

Sales Drawing	SD-73100-0069
---------------	---------------



EU RoHS

RoHS Compliant RF Product

REACH SVHC

Contains SVHC: No

Low-Halogen Status

Not Low-Halogen

China RoHS



Need more information on product environmental compliance?

Email productcompliance@molex.com
 For a multiple part number RoHS Certificate of Compliance, [click here](#)

Please visit the [Contact Us](#) section for any non-product compliance questions.

Search Parts in this Series

[73100Series](#)