

PLEASE CHECK WWW.MOLEX.COM FOR LATEST PART INFORMATION

Part Number: [54932-0000](#)
Status: **Active**
Overview: MTC (Multi Terminal Connector)
Description: MTC™ Plastic Lever, For Spring Type Receptacle

Documents:

[3D Model](#) [RoHS Certificate of Compliance \(PDF\)](#)
[Drawing \(PDF\)](#)

General

Product Family	Accessories
Series	54932
Component Type	Actuator
Overview	<u>MTC (Multi Terminal Connector)</u>
Product Name	MTC™

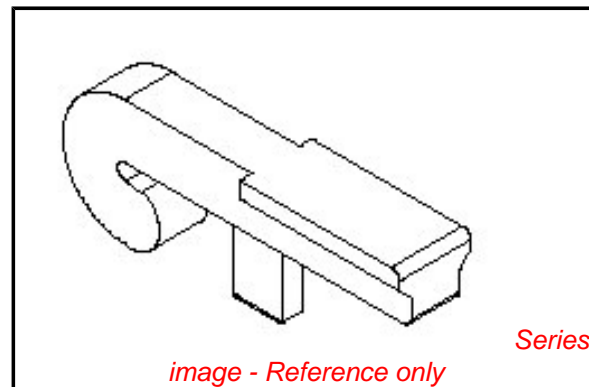
Physical

Circuits (Loaded)	N/A
Color - Resin	Ivory
Material - Resin	Nylon
Packaging Type	Bag

Material Info

Reference - Drawing Numbers

Product Specification	RPS-51241-005, RPS-51241-006, RPS-51241-007
Sales Drawing	SD-54932-003



EU RoHS

**ELV and RoHS
Compliant**
**REACH SVHC
Contains SVHC: No
Low-Halogen Status
Not Reviewed**

China RoHS



**Need more information on product
environmental compliance?**

Email productcompliance@molex.com
 For a multiple part number RoHS Certificate of Compliance, [click here](#)

Please visit the [Contact Us](#) section for any non-product compliance questions.

Search Parts in this Series

[54932Series](#)

Use With

[54927](#) , [54928](#)