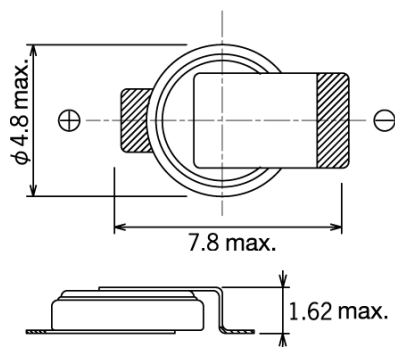


## Spec Sheet

## Coin Type Polyacene Capacitors

## PAS414HR - VA5R



## ■ Features

- Item Summary  
3.3V, 22  $\mu$  Ah (Measured between 3.3V - 2.0V), 0.07F, 80
- Lifecycle Stage  
Mass Production
- Standard packaging quantity (minimum)  
Tape&Reel 4000pcs

## ■ Products characteristics table

Temperature Range	-20 to +60
Maximum Usable Voltage	3.3V
Nominal Capacity	22 $\mu$ Ah (Measured between 3.3V - 2.0V) 0.07F
Internal Resistance	80
Initial Capacitance	More than 22 $\mu$ Ah (Measured between 3.3V - 2.0V) More than 0.03F
Initial Internal Resistance	Less than 260
RoHS Compliance	Yes
Halogen Free	Yes
Soldering Method	Reflow

The data is reference only. Electrical characteristics vary depending on environment or measurement condition.  
 TAIYO YUDEN reserves the right to make change to the Date at any time without notice.  
 Before making final selection, please check product specification.