

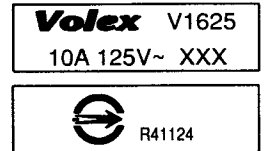
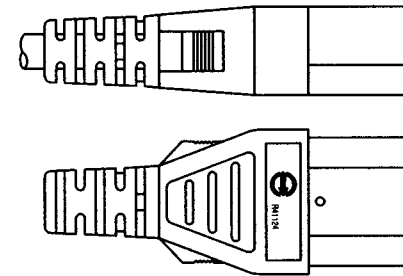
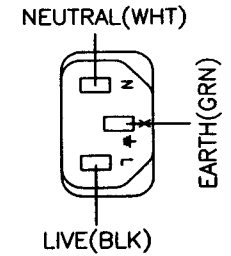
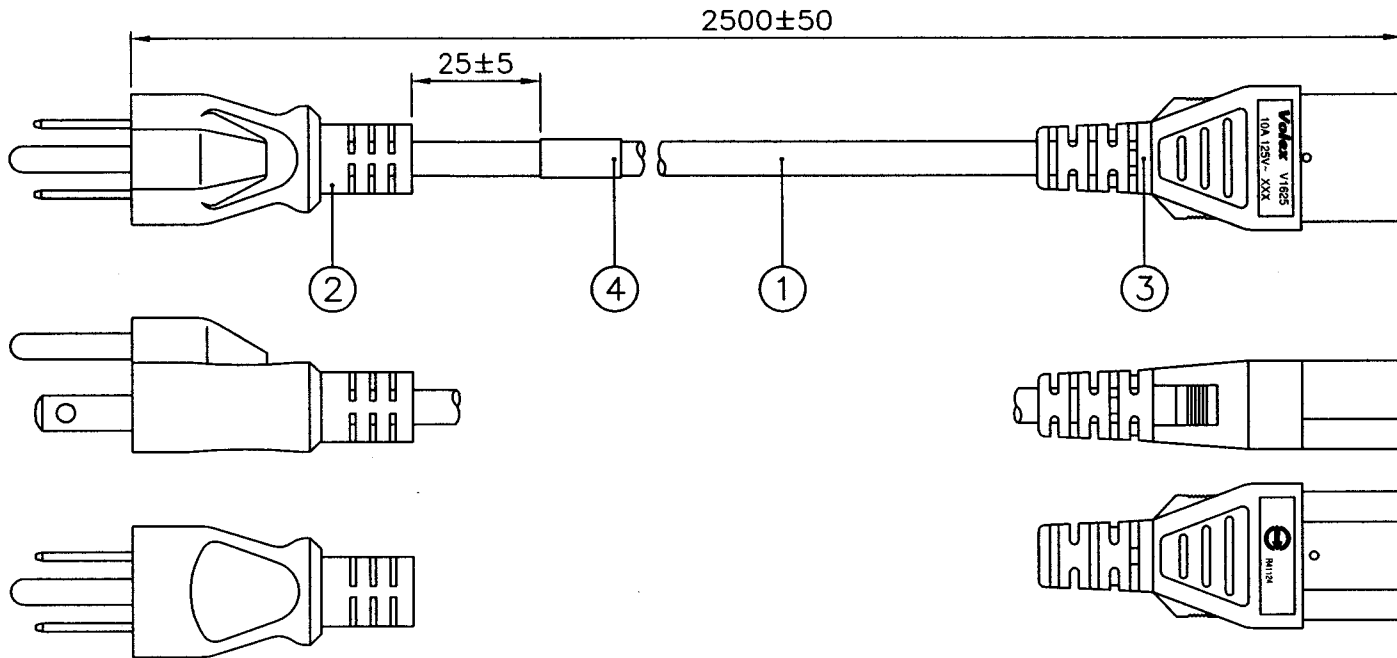
MARKING DETAILS

NOTE :

1. ALL DIMENSIONS IN mm.
2. THE CORD SHALL COMPLY WITH CNS 3199.
3. THE MOLDED PLUG SHALL COMPLY WITH CNS 10917-2 & CNS 690.
4. THE MOLDED CONNECTOR SHALL COMPLY WITH IEC 60320-1.
5. LABEL DETAILS:
REFER TO LABEL DWG. NO. : VL-0234.
6. THIS PART TO BE MANUFACTURED AT ANY LOCATION WHICH HAS SAFETY APPROVAL.
7. RoHS COMPLIANT.

CUSTOMER APPROVED :

APPROVED BY :	
SIGNATURE :	
APPROVED DATE :	



MARKING DETAILS

5	8" PE TIE BLK	6310062	1
4	PRINTED LABEL	VL-0234	1
3	IP60G NL7976B BLK	4100115	-
	MOLDED CONNECTOR V1625 (10A 125V)	V1625	1
2	IP40G NL792B BLK	4100017	-
	MOLDED PLUG TW15CS3 (10A 125V)	TW15CS3-12	1
1	VCTF 3X1.25 BWG BLK PVC LEAD FREE (CNS)	1523014	1
S/N	DESCRIPTION	ITEM NUMBER	QTY
TITLE : TAIWANESE POWER SUPPLY CORDSET (PB FR)		SCALE : N.T.S.	
CUSTOMER : VNA/VOLEX INC		PAGE : 1/2	
CUSTOMER PART NUMBER : 2146H 1Ø C3		ISSUE	
Reference Number : 102820/1 (HG08-224-10)		001	
SALES :	QA : zhong	ENGRG : Wang	CHECKED BY : Hung
	DRAWN BY : QIAN SM	Volex (Asia) Pte Ltd	
Date :	Date : 23/8/10	Date : 23/8/10	Date : 23/8/10
<small>Confidential property of Volex. Information contained herein shall not be disclosed to others, reproduced or used for any other purposes except as authorized in writing by an authorized official of volox asia.</small>			

