

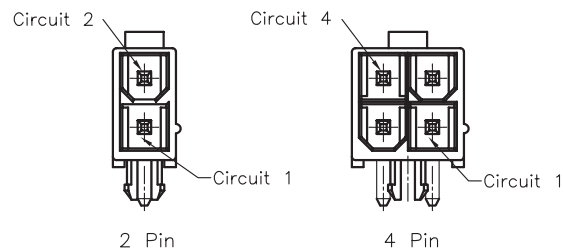
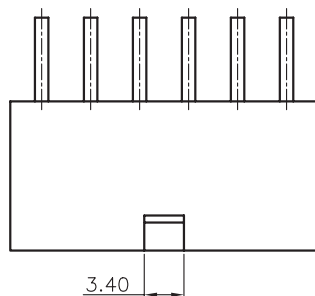
1

2

3

4

5



TECHNICAL CHARACTERISTICS

MATERIAL
 INSULATOR: NYLON 66
 FLAMABILITY RATING: UL94-V0
 COLOR: WHITE
 CONTACT MATERIAL: TIN OVER NICKEL
 CONTACT TYPE: STAMPED
 CONTACT PLATING: TIN
 QUALITY CLASS: 25 MATING CYCLES
 PITCH: 4.20MM

ENVIRONMENTAL
 OPERATING TEMPERATURE: -40 UP TO 105°C
 COMPLIANCE: LEAD FREE AND ROHS

ELECTRICAL
 CURRENT RATING: 6 TO 9A

NB CIRCUITS	2-3	4-6	7-10	12-24
AMPERES	9	8	7	6

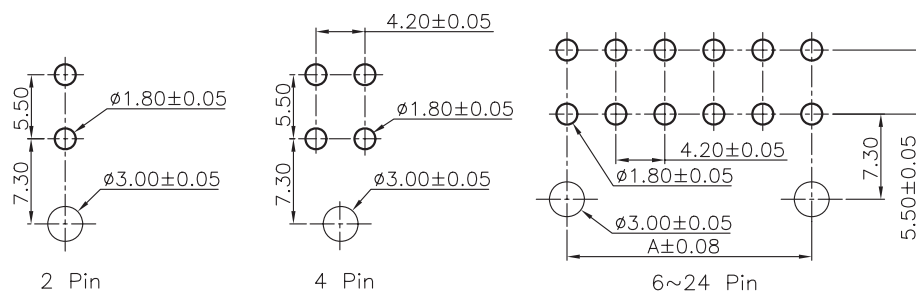
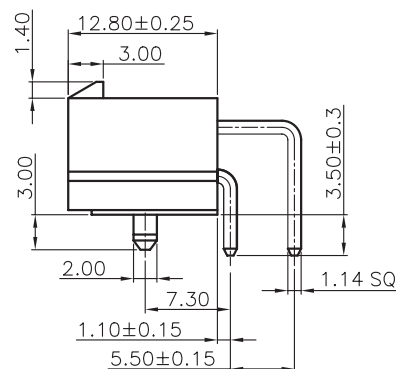
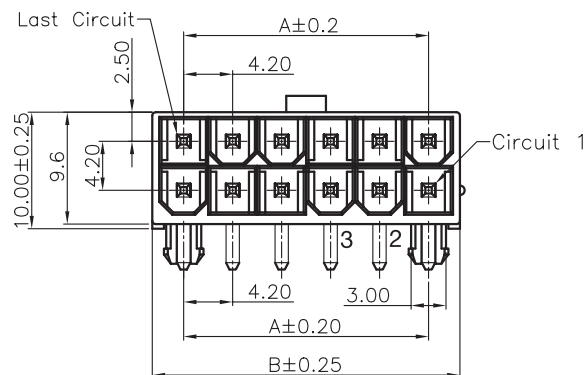
WORKING VOLTAGE: 600V AC
 INSULATOR RESISTANCE: >1000 MOHM
 DIELECTRIC WITHSTANDING VOLTAGE: 1500V AC/MN
 CONTACT RESISTANCE: 20 MOHM MAX

STANDARD
 CERTIFIED: E323964 / MODEL NUMBER 649-2R

SOLDERING
 WAVE PROCESS ONLY

PACKAGING
 TRAY

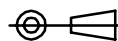
DIMENSION
 A = 4.20 x (NB. PIN / 2 - 1)
 B = 4.20 x (NB. PIN / 2) + 1.30



PCB LAYOUT - COMPONENT VIEW

RoHS Compliant

PROJECTION:



GENERAL TOLERANCE

.X = +/- 0.2

.XX = +/- 0.15



APPROVAL: RJ

UNIT: MM

SCALE:

SHEET: 1/2

DRAW: MIKE

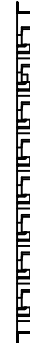
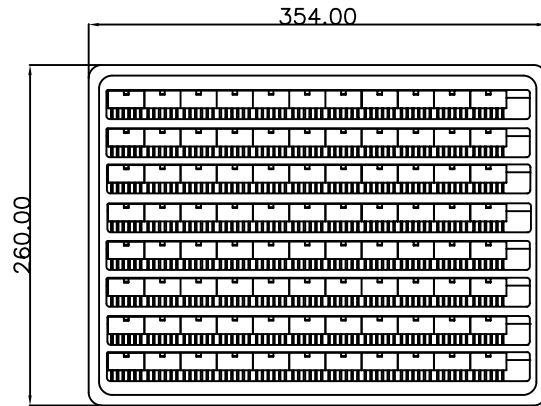
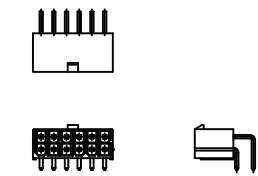
DESCRIPTION: 4.20MM MALE DUAL ROW RIGHT ANGLE HEADER WITH MOUNTING PEGS

WERI PART NO: 649 0xx 227 222

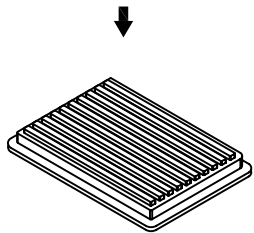
SIZE

A4

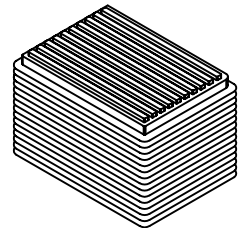
H	10-AUG-11	CONTACT	GG
REV	DATE	FILE	BY



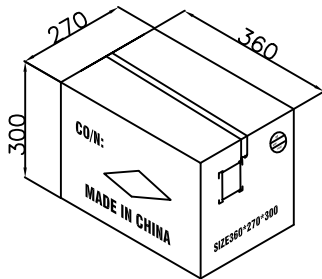
Note:
 1.Dimension:
 Tray Size:354(L)x260(W)x20(H) (mm)
 Carton Size:360(L)x270(W)x300(H) (mm)
 2.Quantity:
 18 Tray/Carton



TRAY



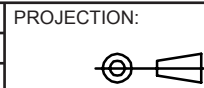
18TRAYS



CARTON

Pin	PCS/Tray	Tray/Carton	PCS/Carton
2	440	18	7920
4	256	18	4608
6	176	18	3168
8	136	18	2448
10	112	18	2016
12	88	18	1584
14	80	18	1440
16	72	18	1296
18	64	18	1152
20	56	18	1008
22	48	18	864
24	48	18	864

RoHS Compliant			
G			
F			
E	<input type="checkbox"/>		
D	<input type="checkbox"/>		
C	<input type="checkbox"/>		
B	<input type="checkbox"/>		
A	<input type="checkbox"/>		
REV	DATE	FILE	BY



APPROVAL: RJ

GENERAL TOLERANCE
 .X = +/- 0.2
 .XX = +/- 0.15



DESCRIPTION: 4.20MM MALE DUAL ROW RIGHT ANGLE HEADER WITH MOUNTING PEGS

WERI PART NO: 6490 xx 227222_TPK

SIZE
A4