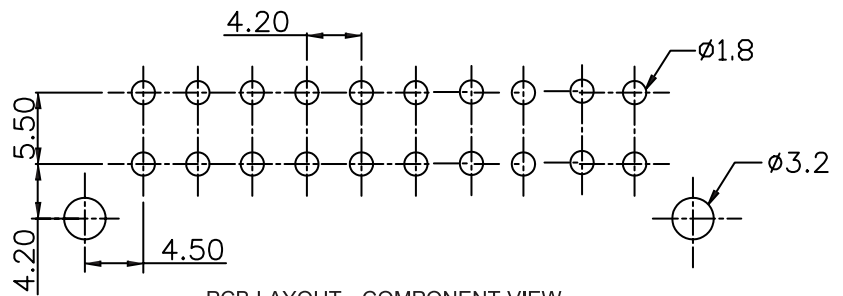
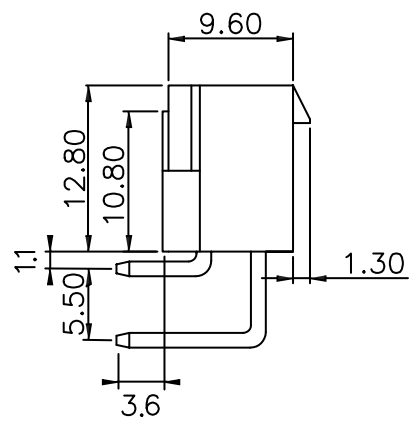
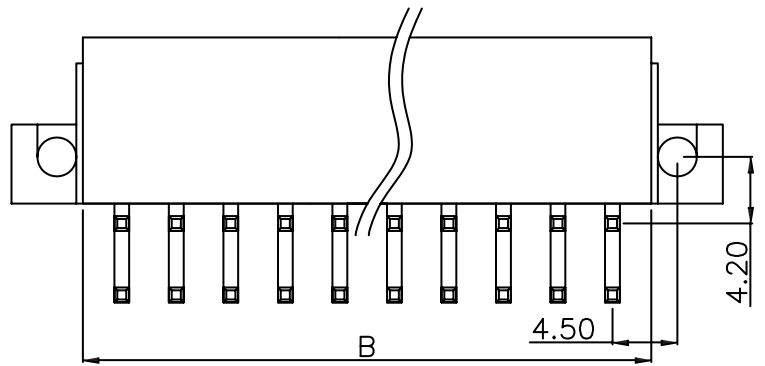
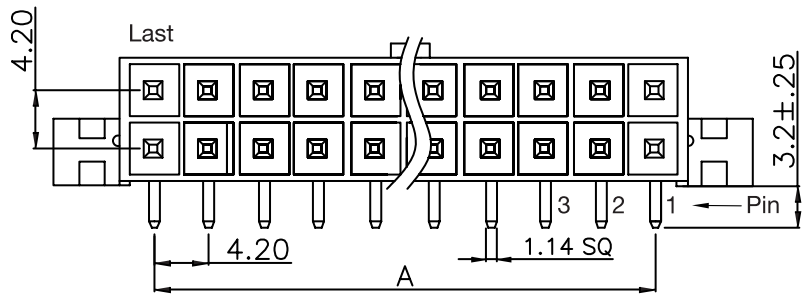


1 2 3 4 5



PCB LAYOUT - COMPONENT VIEW

TECHNICAL CHARACTERISTICS

MATERIAL
 INSULATOR: NYLON 66
 FLAMABILITY RATING: UL94-V0
 COLOR: WHITE
 CONTACT MATERIAL: COPPER ALLOY
 CONTACT TYPE: STAMPED
 CONTACT PLATING: TIN
 QUALITY CLASS: 25 MATING CYCLES
 PITCH: 4.20MM

ENVIRONMENTAL
 OPERATING TEMPERATURE: -40 UP TO 105°C
 COMPLIANCE: LEAD FREE AND ROHS

ELECTRICAL
 CURRENT RATING: 6 TO 9A

NB CIRCUITS □	2-3 □	4-6 □	7-10 □	12-24
AMPERES ▣	9 ▣	8 ▣	7 ▣	6

WORKING VOLTAGE: 600V AC
 INSULATOR RESISTANCE: >1000 MOHM
 DIELECTRIC WITHSTANDING VOLTAGE: 1500V AC/MN
 CONTACT RESISTANCE: 20 MOHM MAX

SOLDERING
 WAVE PROCESS ONLY

PACKAGING
 TRAY

DIMENSION
 A = 4.20 x (NB. PIN / 2 - 1)
 B = 4.20 x (NB. PIN / 2) + 1.30

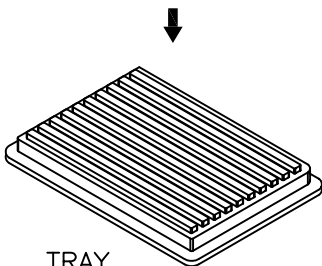
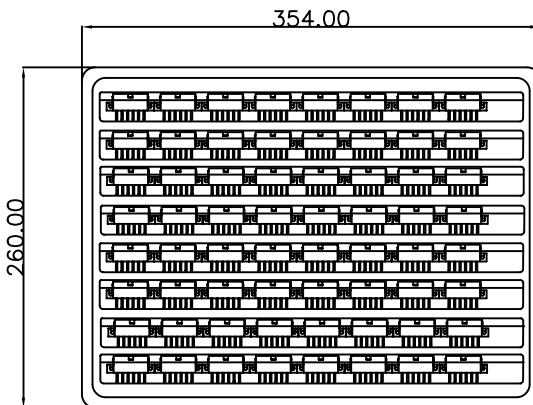
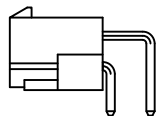
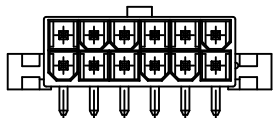
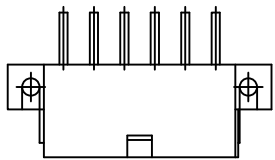
RoHS Compliant			
G			
F			
E	23-AVR-09	PACKAGING	JC
D	12-NOV-08	UL 94-V0 & PINING	JP
C □	28-NOV-07 □	MODIFICATIONS □	EC
B □	22-FEB-07 □	DRAW □ □	EC
A □	09-AUG-05 □	ROHS □ □	DXS
REV	DATE	FILE	BY

PROJECTION:	
APPROVAL: RJ	

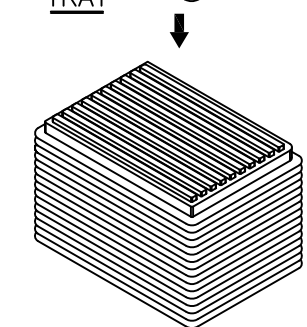
GENERAL TOLERANCE
.X = +/- 0.2
.XX = +/- 0.15
UNIT: MM
SCALE:
SHEET: 1/2
DRAW: DXS

WÜRTH ELEKTRONIK

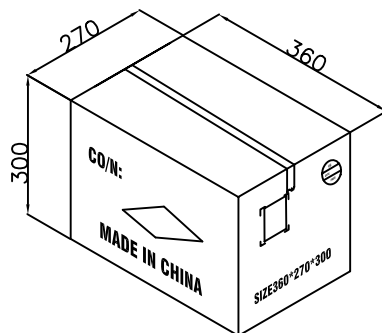
DESCRIPTION: 4.20MM MALE DUAL ROW RIGHT ANGLE HEADER WITH MOUNTING FLANGES	SIZE A4
WERI PART NO: 6490 xx 21022	



TRAY



18TRAYS



CARTON

Note:

1.Dimension:

Tray Size:354(L)x260(W)x20(H) (mm)

Carton Size:360(L)x270(W)x300(H) (mm)

2.Quantity:

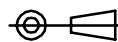
18 Tray/Carton

Pin.	Pcs/Tray	Tray/Carton	Pcs/Carton
2	168	18	3024
4	128	18	2304
6	104	18	1872
8	88	18	1584
10	80	18	1440
12	64	18	1152
14	56	18	1008
16	56	18	1008
18	48	18	864
20	48	18	864
22	40	18	720
24	40	18	720

RoHS Compliant

G			
F			
E			
D			
C			
B			
A			
REV	DATE	FILE	BY

PROJECTION:



APPROVAL: RJ

GENERAL TOLERANCE

.X = +/- 0.2

.XX = +/- 0.15

UNIT: MM

SCALE:

SHEET: 2/2

DRAW: PEARL



DESCRIPTION: 4.20MM MALE DUAL ROW RIGHT ANGLE HEADER WITH MOUNTING FLANGES

WERI PART NO: 6490 xx 21022_TPK

SIZE

A4