

TECHNICAL CHARACTERISTICS

MATERIAL  
 CONTACT MATERIAL: COPPER ALLOY  
 CONTACT TYPE: STAMPED  
 CONTACT PLATING: TIN  
 QUALITY CLASS: 25 MATING CYCLES  
 PITCH: FOR 4.20MM

ENVIRONMENTAL  
 OPERATING TEMPERATURE: -40 UP TO 105°C  
 COMPLIANCE: LEAD FREE AND ROHS

ELECTRICAL  
 CURRENT RATING: 6 TO 9A  
 WORKING VOLTAGE: 600V AC  
 INSULATOR RESISTANCE: >1000 MOHM  
 DIELECTRIC WITHSTANDING VOLTAGE: 1500V AC/MN  
 CONTACT RESISTANCE: 20 MOHM MAX

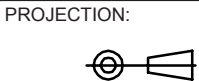
WIRE DIMENSION  
 64900513722 AWG 16

PACKAGING  
 REEL OF 4KPCS  
 64900513722DEC: 100PCS BAGS

DIMENSION

ORDER CODE	AWG	A	B	C	D
64900513722	16	3.60	4.50	2.30	2.70

RoHS Compliant			
G			
F			
E			
D			
C			
B			
A	CREATION	09-MAR-11	GG
REV	DATE	FILE	BY



APPROVAL: RJ

GENERAL TOLERANCE  
 .X = +/- 0.2  
 .XX = +/- 0.15

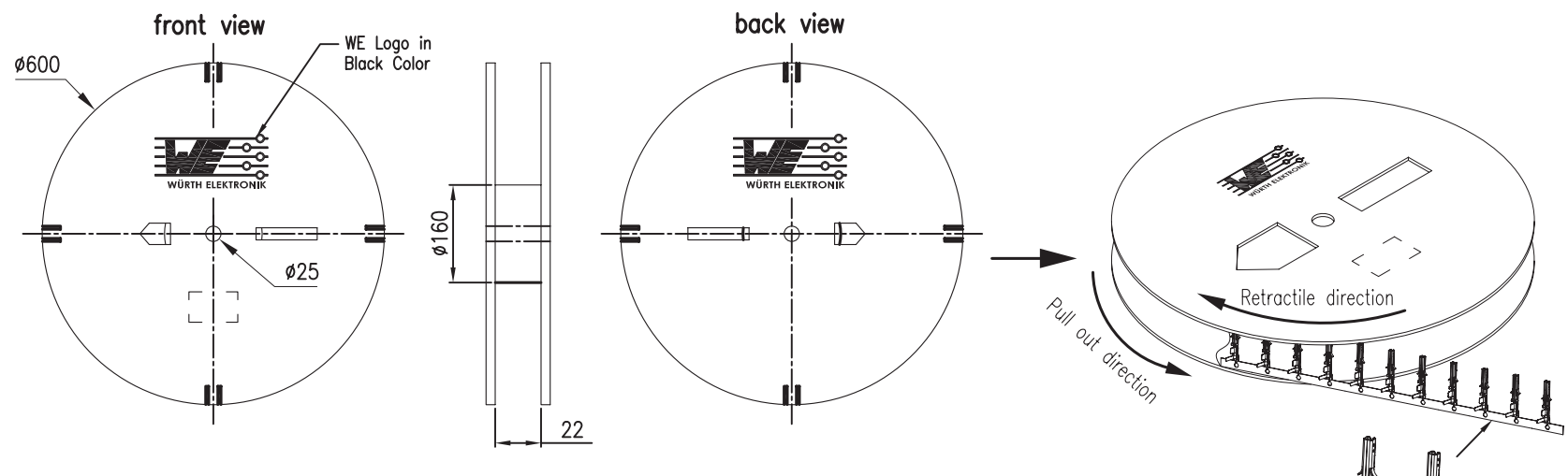
UNIT: MM  
 SCALE:  
 SHEET: 1/2  
 DRAW: MIKE



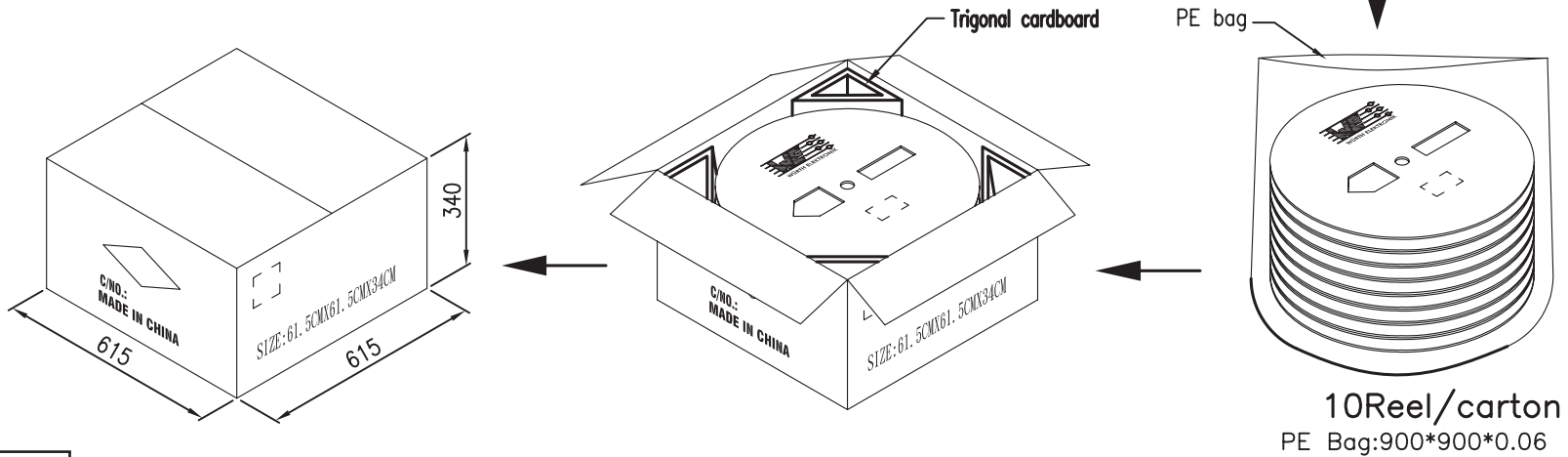
DESCRIPTION: 4.2MM FEMALE CRIMP TERMINAL 16 AWG  
 WERI PART NO: 649 005 137 22

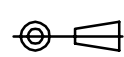

SIZE  
**A4**

1 2 3 4 5



Q'ty/Reel	Reel/Carton	Q'ty/Carton
4,000PCS	10Reel	40,000PCS



RoHS Compliant				PROJECTION: 	GENERAL TOLERANCE .X = +/- 0.2 .XX = +/- 0.15		DESCRIPTION: 4.2MM FEMALE CRIMP TERMINAL 16 AWG	SIZE <b>A4</b>
G								
F								
E								
D								
C				APPROVAL: RJ	UNIT: MM	WÜRTH ELEKTRONIK		
B					SCALE:	WERI PART NO: 649 005 137 22		
A					SHEET: 2/2			
REV	DATE	FILE	BY		DRAW: MIKE			