

TECHNICAL CHARACTERISTICS

MATERIAL  
 CONTACT MATERIAL: COPPER ALLOY  
 CONTACT TYPE: STAMPED  
 CONTACT PLATING: TIN  
 QUALITY CLASS: 25 MATING CYCLES  
 PITCH: FOR 4.20MM

ENVIRONMENTAL  
 OPERATING TEMPERATURE: -40 UP TO 105°C  
 COMPLIANCE: LEAD FREE AND ROHS

ELECTRICAL  
 CURRENT RATING: 6 TO 9A  
 WORKING VOLTAGE: 600V AC  
 INSULATOR RESISTANCE: >1000 MOHM  
 DIELECTRIC WITHSTANDING VOLTAGE: 1500V AC/MN  
 CONTACT RESISTANCE: 20 mOHM MAX

WIRE DIMENSION  
 64900813722 AWG 16

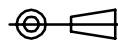
PACKAGING  
 REEL OF 4KPCS  
 64900813722DEC: 100PCS BAGS

DIMENSION

ORDER CODE	AWG	A	B	C	D
64900813722	16	3.60	4.50	2.30	2.70

RoHS Compliant			
G			
F			
E			
D			
C			
B			
A	CREATION	09-MAR-11	GG
REV	DATE	FILE	BY

PROJECTION:



APPROVAL: RJ

GENERAL TOLERANCE

.X = +/- 0.2  
 .XX = +/- 0.15

UNIT: MM

SCALE:

SHEET: 1/2

DRAW: MIKE



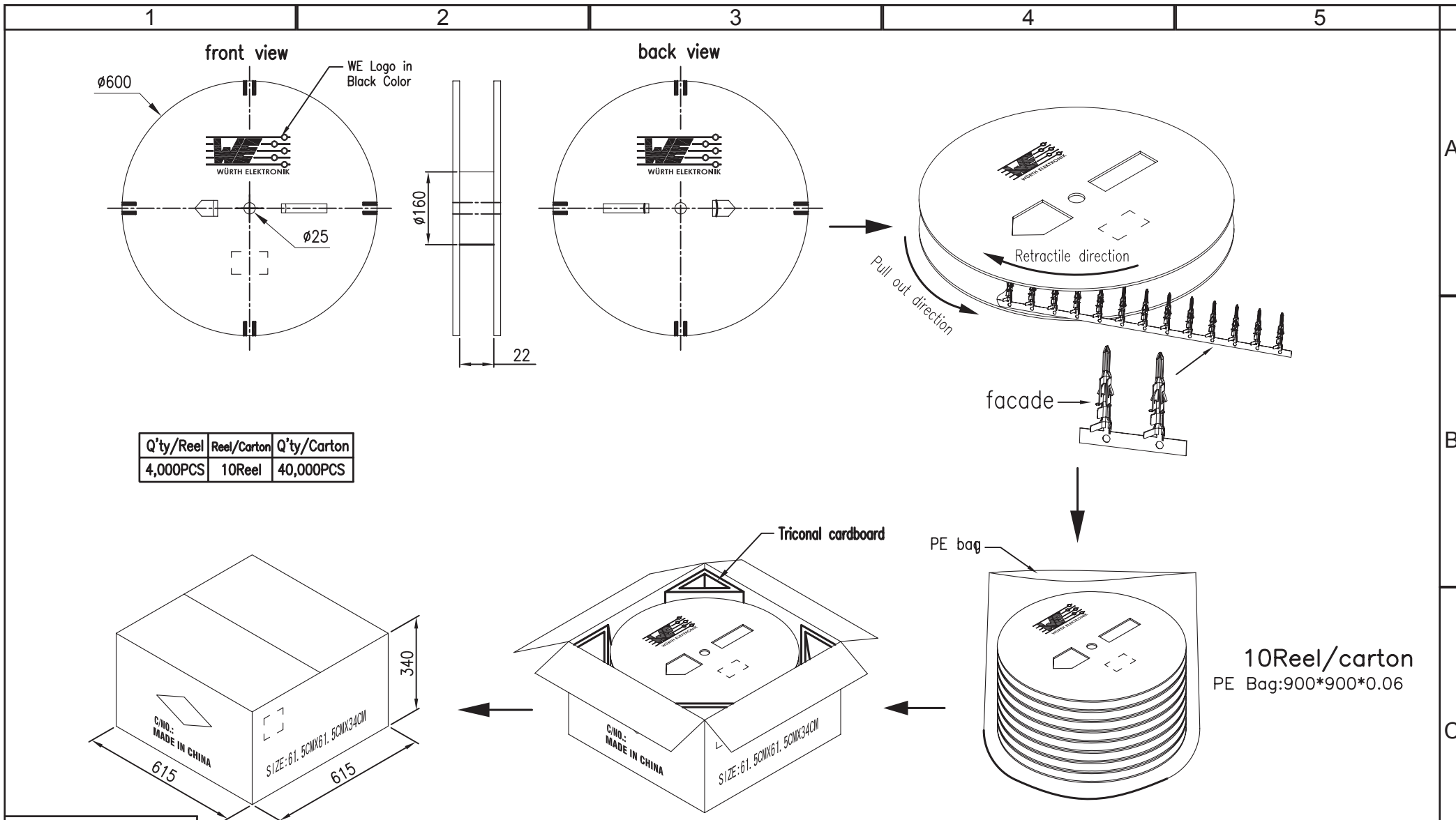
WÜRTH ELEKTRONIK

DESCRIPTION: 4.2MM MALE CRIMP TERMINAL 16 AWG

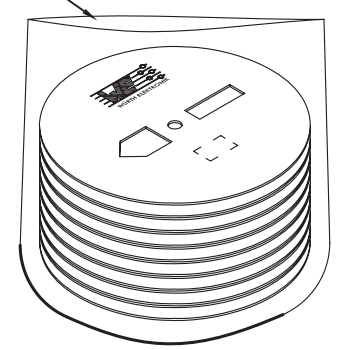
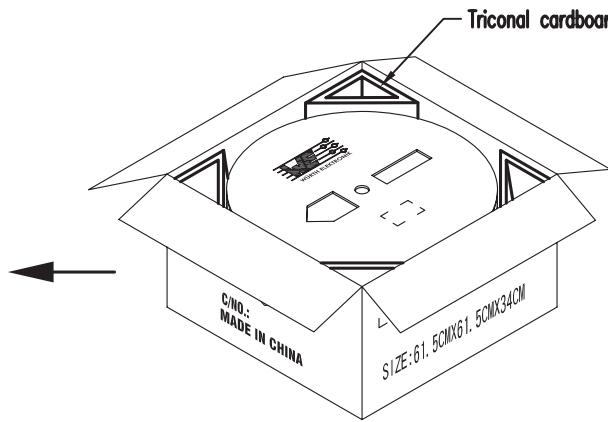
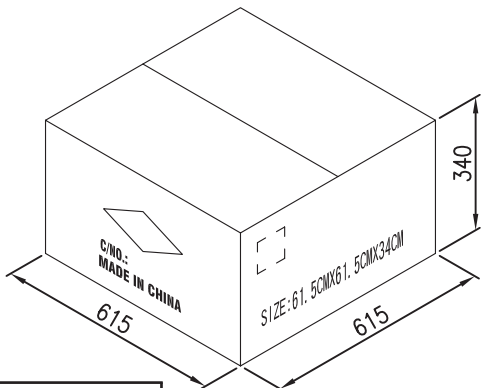
WERI PART NO: 649 008 137 22

SIZE

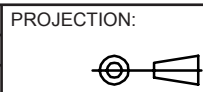
**A4**



Q'ty/Reel	Reel/Carton	Q'ty/Carton
4,000PCS	10Reel	40,000PCS



RoHS Compliant	
G	
F	
E	
D	
C	
B	
A	
REV	DATE
	FILE
	BY



GENERAL TOLERANCE  
.X = +/- 0.2  
.XX = +/- 0.15



APPROVAL: RJ

UNIT: MM  
SCALE:  
SHEET: 2/2  
DRAW: MIKE

DESCRIPTION: 4.2MM MALE CRIMP TERMINAL 16 AWG

WERI PART NO: 649 008 137 22

SIZE  
**A4**