

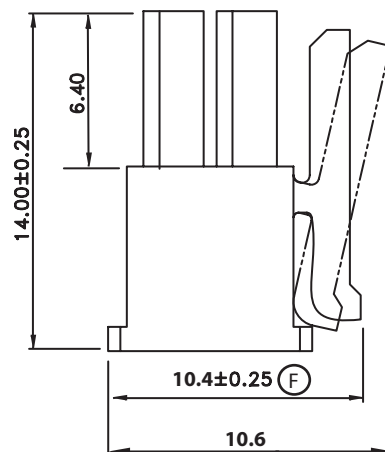
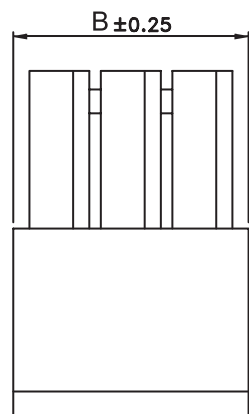
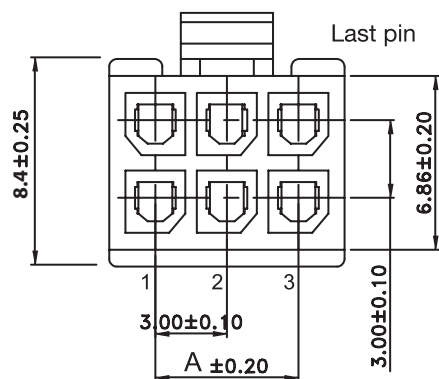
1

2

3

4

5



## TECHNICAL CHARACTERISTICS

## MATERIAL

INSULATOR: NYLON 6T  
 FLAMABILITY RATING: UL94-V0  
 COLOR: BLACK  
 PITCH: 3.00MM

## ENVIRONMENTAL

OPERATING TEMPERATURE: -25 UP TO 105°C  
 COMPLIANCE: LEAD FREE AND ROHS

## ELECTRICAL

CURRENT RATING: 5A  
 WORKING VOLTAGE: 250V AC  
 INSULATOR RESISTANCE: >1000 MOHM  
 DIELECTRIC WITHSTANDING VOLTAGE: 1500V AC/MN

## STANDARD

 CERTIFIED: E323964 / MODEL NUMBER 662-1133

## PACKAGING

BAG

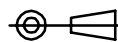
## DIMENSION

A = 3.00 x (NB. PIN / 2 - 1)  
 B = 3.00 x (NB. PIN / 2) + 0.85

RoHS Compliant

G			
F			
E			
D	11-MAY-12	DRAWING	GG
C	14-SEP-10	DIMENSION	GG
B	18-NOV-09	STANDARD	JP
A	23-AVR-09	PACKAGING	JC
REV	DATE	FILE	BY

PROJECTION:



APPROVAL: RJ

GENERAL TOLERANCE

.X = +/- 0.2

.XX = +/- 0.15



UNIT: MM

SCALE:

SHEET: 1/2

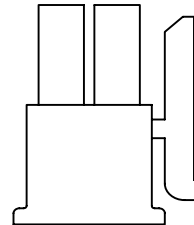
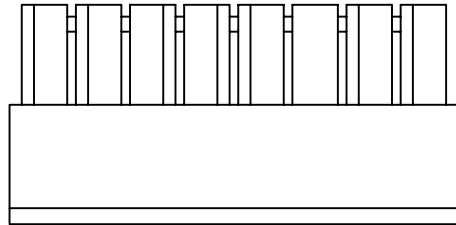
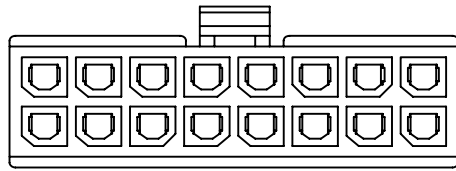
DRAW: PEARL

DESCRIPTION: 3.00MM FEMALE DUAL ROW RECEPTACLE

WERI PART NO: 662 0xx 113 322

SIZE

**A4**



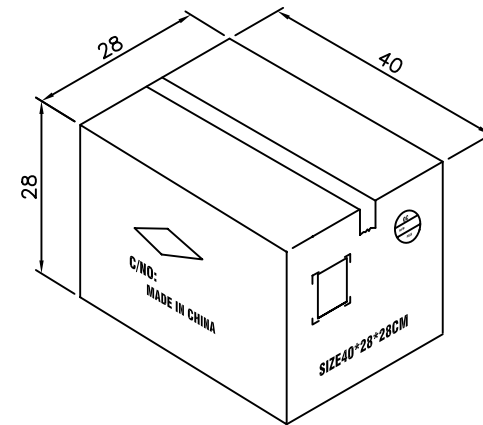
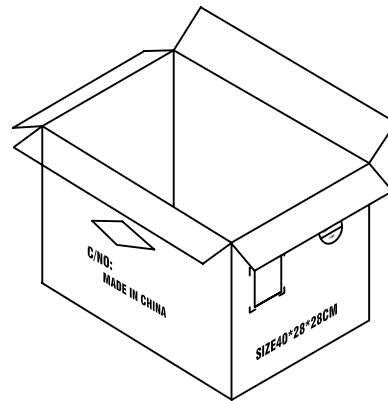
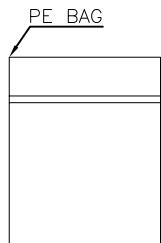
Note:

1.Dimension

Carton Size:400\*280\*280(MM)<sub>n</sub>

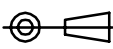
2.Quantity:

Pin.	Pcs/Bag	Pcs/Carton
2	1000	24000
4	1000	24000
6	1000	22000
8	1000	22000
10	1000	20000
12	1000	20000
14	1000	18000
16	1000	18000
18	1000	15000
20	1000	15000
22	1000	12000
24	1000	12000



RoHS Compliant

G			
F			
E			
D			
C			
B			
A			
REV	DATE	FILE	BY

PROJECTION:  


GENERAL TOLERANCE  
 .X = +/- 0.2  
 .XX = +/- 0.15



APPROVAL: RJ

UNIT: MM  
 SCALE:  
 SHEET: 2/2  
 DRAW: PEARL

DESCRIPTION: 3.00MM FEMALE DUAL ROW RECEPTACLE  
 WERI PART NO: 6620 xx 113322\_TPK

SIZE  
**A4**