

TECHNICAL CHARACTERISTICS

MATERIAL
 INSULATOR: PA 6T
 COLOR: BLACK
 CONTACT MATERIAL: COPPER ALLOY
 CONTACT TYPE: STAMPED
 CONTACT PLATING: TIN
 QUALITY CLASS: 25 MATING CYCLES
 PITCH: 3.00MM

ENVIRONMENTAL
 OPERATING TEMPERATURE: -25 UP TO 105°C
 FLAMABILITY RATING: UL94-V0
 COMPLIANCE: LEAD FREE AND ROHS

ELECTRICAL
 CURRENT RATING: 5A
 WORKING VOLTAGE: 250V AC
 INSULATOR RESISTANCE: >1000 MOHM
 DIELECTRIC WITHSTANDING VOLTAGE: 1500V AC/MN
 CONTACT RESISTANCE: 10 mOHM MAX

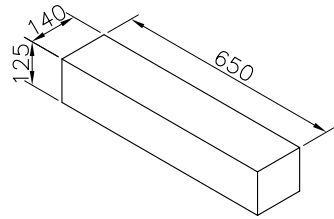
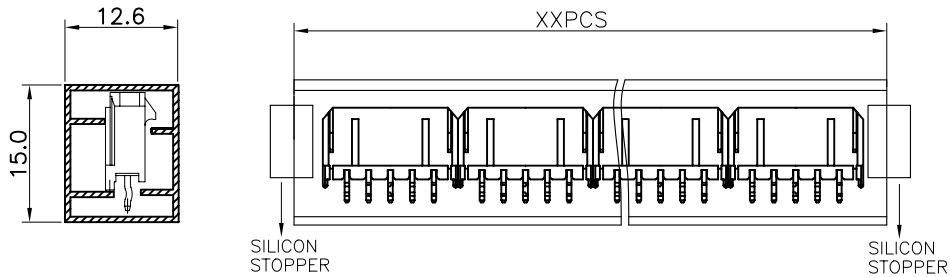
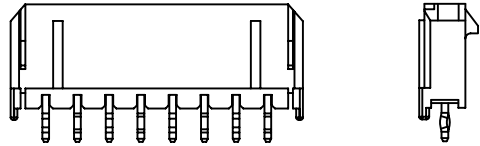
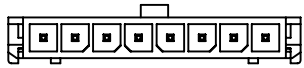
STANDARD
 CERTIFIED: E323964 / MODEL NUMBER 662-S

SOLDERING
 WAVE AND REFLOW PROCESS

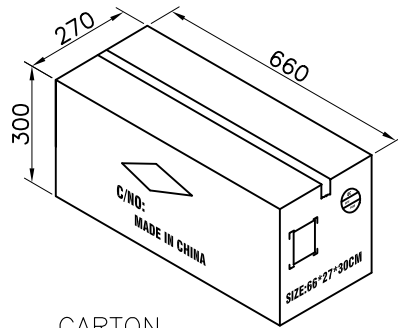
PACKAGING
 TRAY

DIMENSION
 A = 3.00 x (NB. PIN - 1)
 B = 3.00 x (NB. PIN + 1) + 0.65

RoHS Compliant				PROJECTION: 	GENERAL TOLERANCE .X = +/- 0.2 .XX = +/- 0.15		
G							
F	06-APR-10	ADD DIMENTION	JP				
E	18-NOV-09	STANDARD	JP				
D	23-AVR-09	PACKAGING	JC	APPROVAL: RJ	UNIT: MM	DESCRIPTION: 3.00MM MALE SINGLE ROW VERTICAL HEADER	
C	31-DEC-07	SOLDERING	CH		SCALE:		
B	27-FEB-07	PDF	EC		SHEET: 1/2	WERI PART NO: 662 0xx 111 22	SIZE A4
A	18-SEP-06	ROHS	SEA		DRAW: PEARL		
REV	DATE	FILE	BY				



INNER CARTON



CARTON

Note:

1, Dimension

Tube Size: L=635mm

Inner Carton Size: 650(L)X140(W)X125(H) (mm)

Carton Size: 660(L)X270(W)X300(H) (mm)

2, Quantity:

100 Tube/Inner Carton

4 Inner Carton/Carton

Pin.	Pcs/Tube	Pcs/Inner Carton	Pcs/Carton
2	63	6300	25200
3	48	4800	19200
4	39	3900	15600
5	32	3200	12800
6	28	2800	11200
7	24	2400	9600
8	22	2200	8800
9	20	2000	8000
10	18	1800	7200
11	16	1600	6400
12	15	1500	6000

RoHS Compliant

G			
F			
E			
D			
C			
B			
A			
REV	DATE	FILE	BY

PROJECTION:

GENERAL TOLERANCE
 .X = +/- 0.2
 .XX = +/- 0.15

APPROVAL: RJ

UNIT: MM
 SCALE:
 SHEET: 2/2
 DRAW: PEARL



DESCRIPTION: 3.00MM MALE SINGLE ROW VERTICAL HEADER
 WERI PART NO: 6620 xx 11122_TPK

SIZE
A4