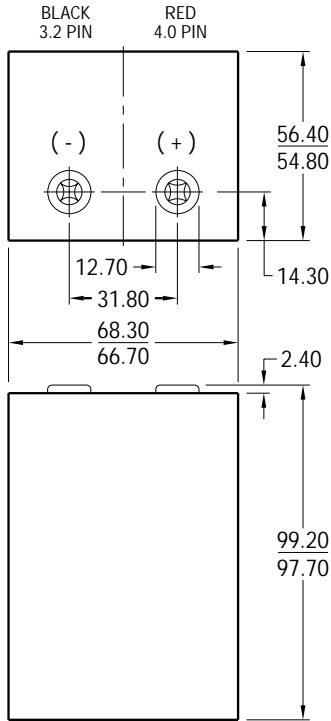


Engineering Data

EVEREADY NO. 493

*Zinc Chloride 300V
 No Added Mercury or Cadmium*

Dimensions (mm)



Millimeters	Inches
2.40	.094
3.20	.126
4.00	.157
12.70	.500
14.30	.563
31.80	1.252
54.80	2.157
56.40	2.220
66.70	2.626
68.30	2.689
97.70	3.847
99.20	3.906

Chemical System: Zinc-Manganese Dioxide (Zn/MnO₂)

Designation: ANSI-722

Battery Voltage: 300 Volts

Average Weight: 445 grams (15.8 oz.)

Volume: 360.5 cubic centimeters (22 cubic inch)

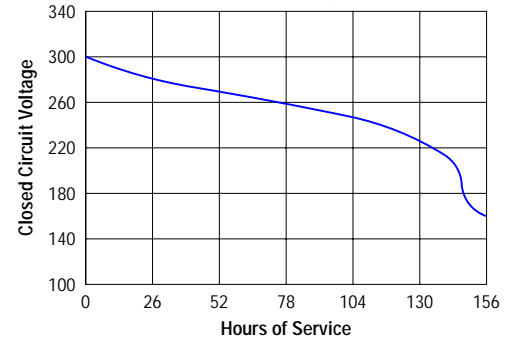
Average Service Capacity (to 0.8 Volt / cell): 140 mAh
 (Rated capacity at 25 mA continuous drain)

Cells: Two hundred No. 112 in series

Jacket: Paper

TYPICAL DISCHARGE CHARACTERISTICS

Schedule: 4 hours/day
 Typical Drain @ 240V: 0.8 milliamperes
 Load: 300,000



SIMULATED APPLICATION TESTS
 Estimated Average Service at 21°C (70°F)

Schedule	Typical Drains @ 240V (milliamperes)	Load (ohms)	CUTOFF VOLTAGE					
			160V	180V	200V	220V	240V	260V
hours								
4 hours / day	0.8	300,000	156	147	145	135	115	75

IMPORTANT NOTICE

This data sheet contains information specific to batteries manufactured at time of its publication. Please contact your Energizer representative for most current information. Contents herein do not constitute a warranty.