

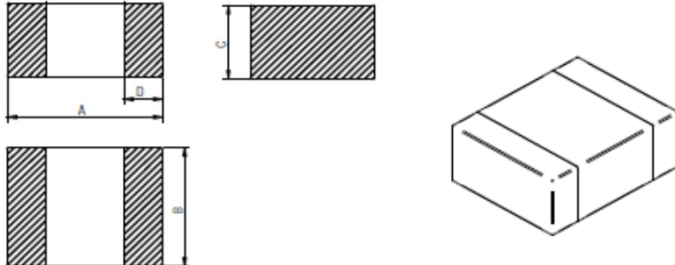
# Spezifikation für Freigabe / specification for release

Kunde / customer :  
 Artikelnummer / part number : **74479774147**  
 Bezeichnung : **SMD-Powerinduktivität WE-PMI**  
 description : **SMD-power inductance WE-PMI**



DATUM / DATE : 2011-09-21

## A Mechanische Abmessungen / dimensions:

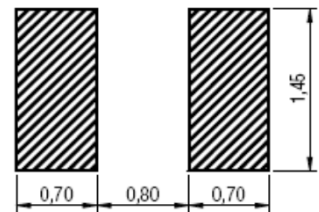


	Größe / size 0805	
A	<b>2,0 (+0,3;- 0,1)</b>	mm
B	<b>1,25 ± 0,2</b>	mm
C	<b>0,5 ± 0,1</b>	mm
D	<b>0,5 ± 0,3</b>	mm

## B Elektrische Eigenschaften / electrical properties:

Eigenschaften / properties	Testbedingungen / test conditions		Wert / value	Einheit / unit	tol.
Induktivität / inductance	<b>1 MHz</b>	L	<b>0,47</b>	µH	±20%
Güte Q / Q factor	<b>1 MHz</b>	Q	<b>8</b>		min.
DC-Widerstand / DC-resistance	<b>@ 20°C</b>	R <sub>DC</sub>	<b>120</b>	mΩ	±25%
Eigenres.-Frequenz / self-res.-frequency		f <sub>res</sub>	<b>130</b>	MHz	min.
Nennstrom / rated current	<b>ΔT=20 K</b>	I <sub>DC</sub>	<b>1000</b>	mA	typ.
Nennstrom / rated current	<b>ΔT=40 K</b>	I <sub>DC</sub>	<b>1300</b>	mA	typ.
Sättigungsstrom / saturation current	<b> \ΔL/L =30%</b>	I <sub>sat</sub>	<b>700</b>	mA	typ.

## C Lötpad / soldering spec.:



## D Prüfgeräte / test equipment:

**Agilent E4991 A** für/for L und/and Q und/and SRF  
**GMC Metrahit 27i** für/for R<sub>DC</sub>  
**WK3260B** für/for I<sub>sat</sub>  
**Agilent 6032** für/for I<sub>DC</sub>

## E Testbedingungen / test conditions:

Luftfeuchtigkeit / humidity: 33%  
 Umgebungstemperatur / temperature: +20°C

## F Werkstoffe & Zulassungen / material & approvals:

Basismaterial / base material: Ferrit / ferrite

## G Eigenschaften / general specifications:

Betriebstemp. / operating temperature: -40°C - + 125°C  
 Umgebungstemp. / ambient temperature: -40°C - + 85°C  
 It is recommended that the temperature of the part does not exceed 125°C under worst case operating conditions.

Freigabe erteilt / general release:	Kunde / customer		
	.....		
Datum / date	Unterschrift / signature		
	Würth Elektronik		
Geprüft / checked	Kontrolliert / approved		
	Ddi	Version 1	11-09-21
	Name	Änderung / modification	Datum / date

### Würth Elektronik eiSos GmbH & Co. KG

D-74638 Waldenburg · Max-Eyth-Strasse 1 - 3 · Germany · Telefon (+49) (0) 7942 - 945 - 0 · Telefax (+49) (0) 7942 - 945 - 400  
<http://www.we-online.com>

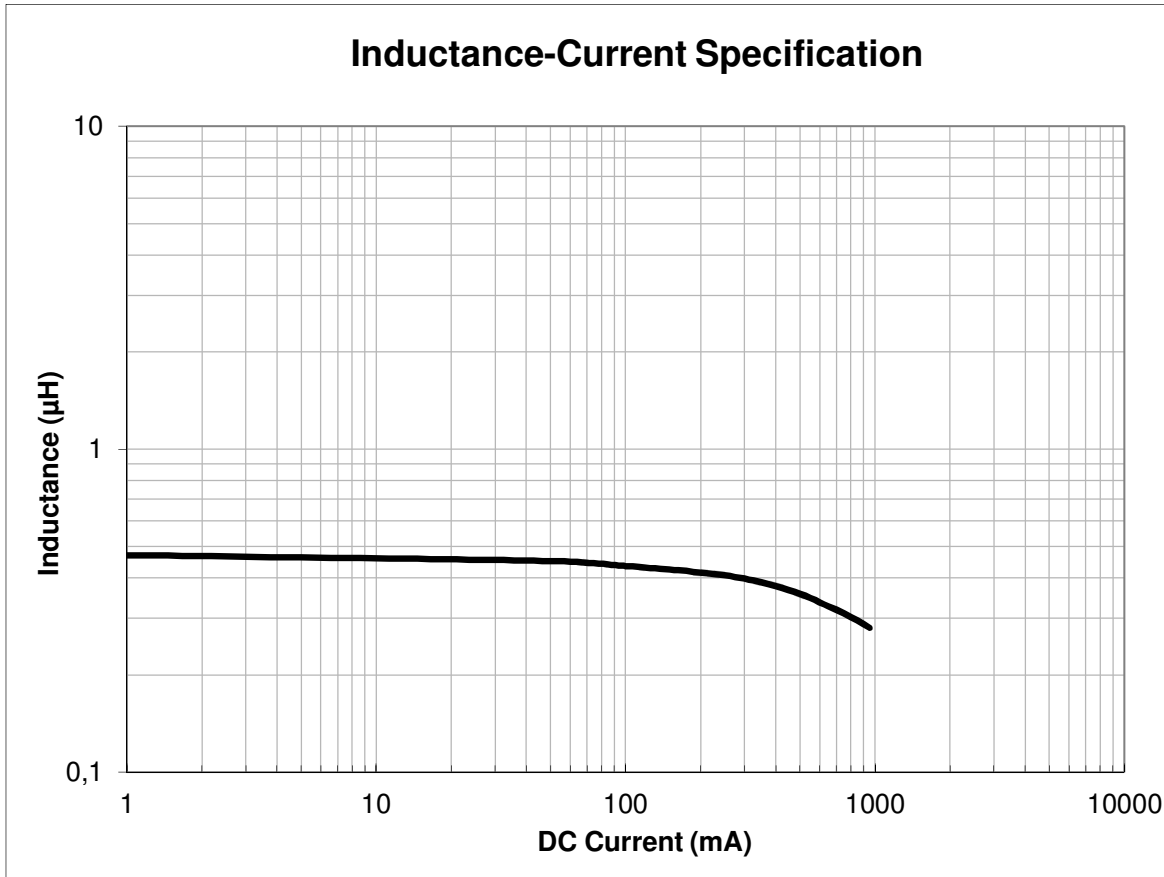
# Spezifikation für Freigabe / specification for release

Kunde / customer :  
 Artikelnummer / part number : **74479774147**  
 Bezeichnung : **SMD-Powerinduktivität WE-PMI**  
 description : **SMD-power inductance WE-PMI**



DATUM / DATE : 2011-09-21

## H Induktivitätskurve / Inductance curve :



Freigabe erteilt / general release:	Kunde / customer			
.....	.....			
Datum / date	Unterschrift / signature			
	Würth Elektronik			
.....	.....	Ddi	Version 1	11-09-21
Geprüft / checked	Kontrolliert / approved	Name	Änderung / modification	Datum / date

### Würth Elektronik eiSos GmbH & Co. KG

D-74638 Waldenburg · Max-Eyth-Strasse 1 - 3 · Germany · Telefon (+49) (0) 7942 - 945 - 0 · Telefax (+49) (0) 7942 - 945 - 400  
<http://www.we-online.com>

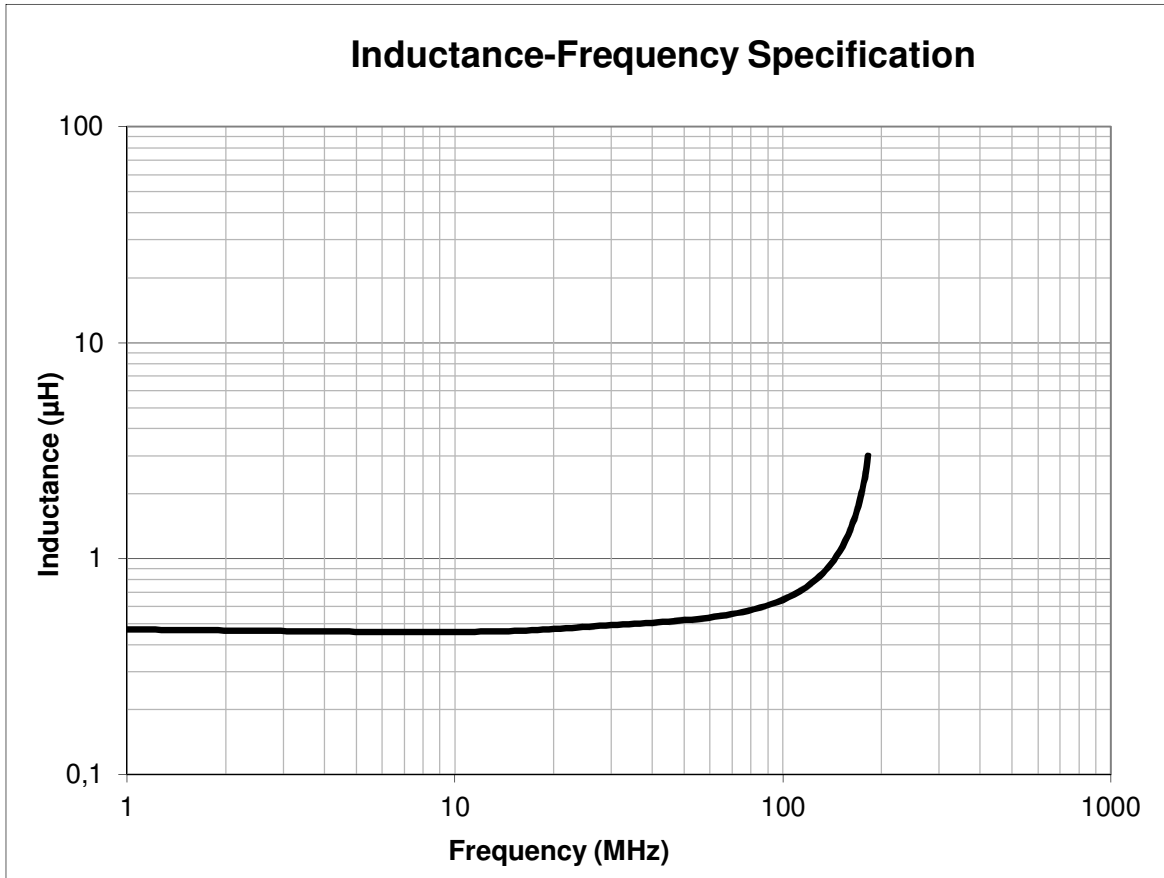
# Spezifikation für Freigabe / specification for release

Kunde / customer :  
 Artikelnummer / part number : **74479774147**  
 Bezeichnung : **SMD-Powerinduktivität WE-PMI**  
 description : **SMD-power inductance WE-PMI**



DATUM / DATE : 2011-09-21

## I Induktivitätskurve / Inductance curve :



Freigabe erteilt / general release:	<b>Kunde / customer</b>			
.....	.....			
Datum / date	Unterschrift / signature			
	<b>Würth Elektronik</b>			
.....	.....			
Geprüft / checked	Kontrolliert / approved	Ddi	Version 1	11-09-21
		Name	<b>Änderung / modification</b>	Datum / date

This electronic component has been designed and developed for usage in general electronic equipment. Before incorporating this component into any equipment where higher safety and reliability is especially required or if there is the possibility of direct damage or injury to human body, for example in the range of aerospace, aviation, nuclear control, submarine, transportation, (automotive control, train control, ship control), transportation signal, disaster prevention, medical, public information network etc, Würth Elektronik eiSos GmbH must be informed before the design-in stage. In addition, sufficient reliability evaluation checks for safety must be performed on every electronic component which is used in electrical circuits that require high safety and reliability functions or performance.

### Würth Elektronik eiSos GmbH & Co. KG

D-74638 Waldenburg · Max-Eyth-Strasse 1 - 3 · Germany · Telefon (+49) (0) 7942 - 945 - 0 · Telefax (+49) (0) 7942 - 945 - 400  
<http://www.we-online.com>

# Spezifikation für Freigabe / specification for release

Kunde / customer :  
 Artikelnummer / part number : **74479774147**



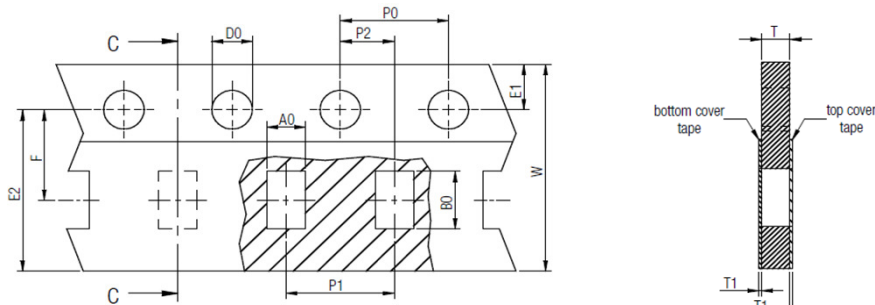
Bezeichnung : **SMD-Powerinduktivität WE-PMI**  
 description : **SMD-power inductance WE-PMI**

DATUM / DATE : 2011-09-21

## J Rollenspezifikation / Tape & Reel specification :

### Tape Spezifikation / tape specification

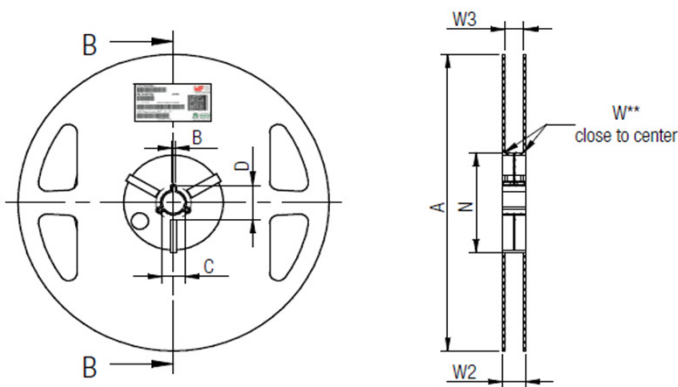
Material / Material: Papier / Paper  
 Abmessungen in / dimensions in mm / mm



	A0	B0	W	P1	T	T1	D0	E1	E2	F	P0	P2	Tape	VPE / packaging unit	
tolerance	±0,1	±0,1	±0,3	±0,1	max.	max.	+0,1 -0,0	±0,1	min.	±0,05	±0,1	±0,05			
size	0805	1,60	2,30	8,00	4,00	0,80	0,10	1,50	1,75	6,25	3,50	4,00	2,00	Paper	5000

### Reel Spezifikation / reel specification

Material / Material: Kunststoff / Plastic  
 Abmessungen in / dimensions in mm / mm



Maß / size	Bandbreite 8 mm / Tape width 8 mm	
A	178,00	±2,0
B	1,50	min.
C	13,50	± 0,2
D	20,20	min.
N	50,00	min.
W1	8,40	± 1,5
W2	14,40	max.
W3	7,9	min.
W3	10,90	max.

Freigabe erteilt / general release:	Kunde / customer	
Datum / date	Unterschrift / signature	
	Würth Elektronik	
Geprüft / checked	Kontrolliert / approved	
	Ddi	Version 1
	Name	Änderung / modification
		Datum / date

This electronic component has been designed and developed for usage in general electronic equipment. Before incorporating this component into any equipment where higher safety and reliability is especially required or if there is the possibility of direct damage or injury to human body, for example in the range of aerospace, aviation, nuclear control, submarine, transportation, (automotive control, train control, ship control), transportation signal, disaster prevention, medical, public information network etc, Würth Elektronik eiSos GmbH must be informed before the design-in stage. In addition, sufficient reliability evaluation checks for safety must be performed on every electronic component which is used in electrical circuits that require high safety and reliability functions or performance.

## Würth Elektronik eiSos GmbH & Co. KG

D-74638 Waldenburg · Max-Eyth-Strasse 1 - 3 · Germany · Telefon (+49) (0) 7942 - 945 - 0 · Telefax (+49) (0) 7942 - 945 - 400

<http://www.we-online.com>