

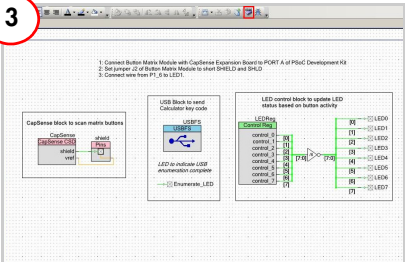
1



Install Software

1. Insert the kit CD.
2. Install PSoC Creator, PSoC Programmer, and kit project software.

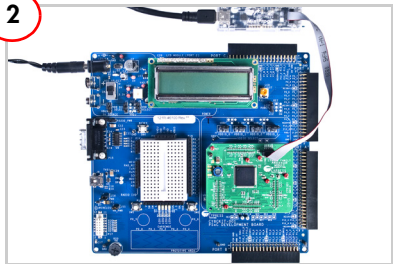
3



Program the PSoC Device

1. Open BMM_USB_KIT-001 example project from PSoC Creator Start page.
2. Click the Program icon on PSoC Creator to program the board.
3. Unplug MiniProg3 and disconnect power from the board.

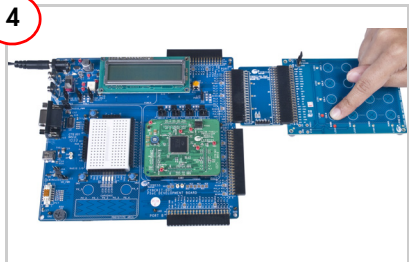
2



Board Setup for PSoC Development Kit

1. Install the CY8C38 Family Processor Module on PSoC Development Kit.
2. Connect MiniProg3 to the CY8C38 Family Processor Module.
3. Ensure default settings are configured and power the PSoC Development Kit.

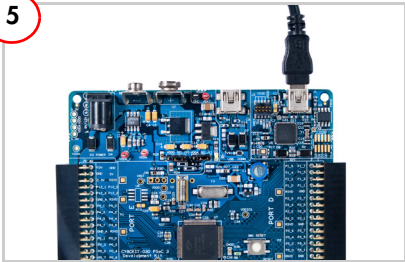
4



Test PSoC CapSense Expansion Board Kit

1. Connect J1 of PSoC CapSense Expansion Board kit to Port A of PSoC Development Kit; connect J2 to Matrix Button Module Kit.
2. Power the PSoC Development Kit.
3. Touch a button; the corresponding row and column LEDs turn on.

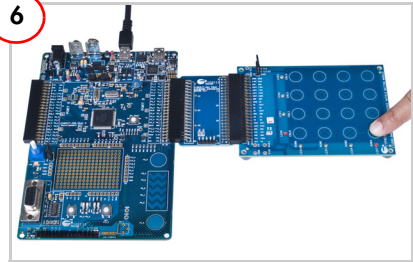
5



Programming with PSoc 3 Development Kit

1. Plug the USB cable into your PC and the J1 of PSoc 3 Development Kit.
2. Open BMM_USB_KIT-030 example project from PSoc Creator Start page.
3. Click the Program icon on PSoc Creator to program the board.
4. Unplug USB cable to disconnect power from the board.

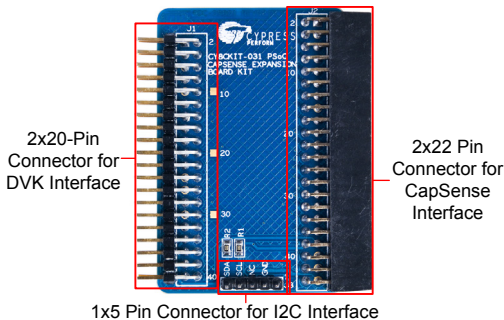
6



Test PSoc CapSense EBK with PSoc 3 DVK

1. Connect J1 of PSoc CapSense Expansion Board Kit (EBK) to Port D of PSoc 3 Development Kit (DVK); connect J2 to Matrix Button Module Kit.
2. Connect USB cable to J2 of PSoc 3 Development Kit.
3. Touch a button; the corresponding row and column LEDs turn on.

CY8CKIT-031 Hardware Overview and Features



For the latest information about this kit visit
www.cypress.com/go/CY8CKIT-031

