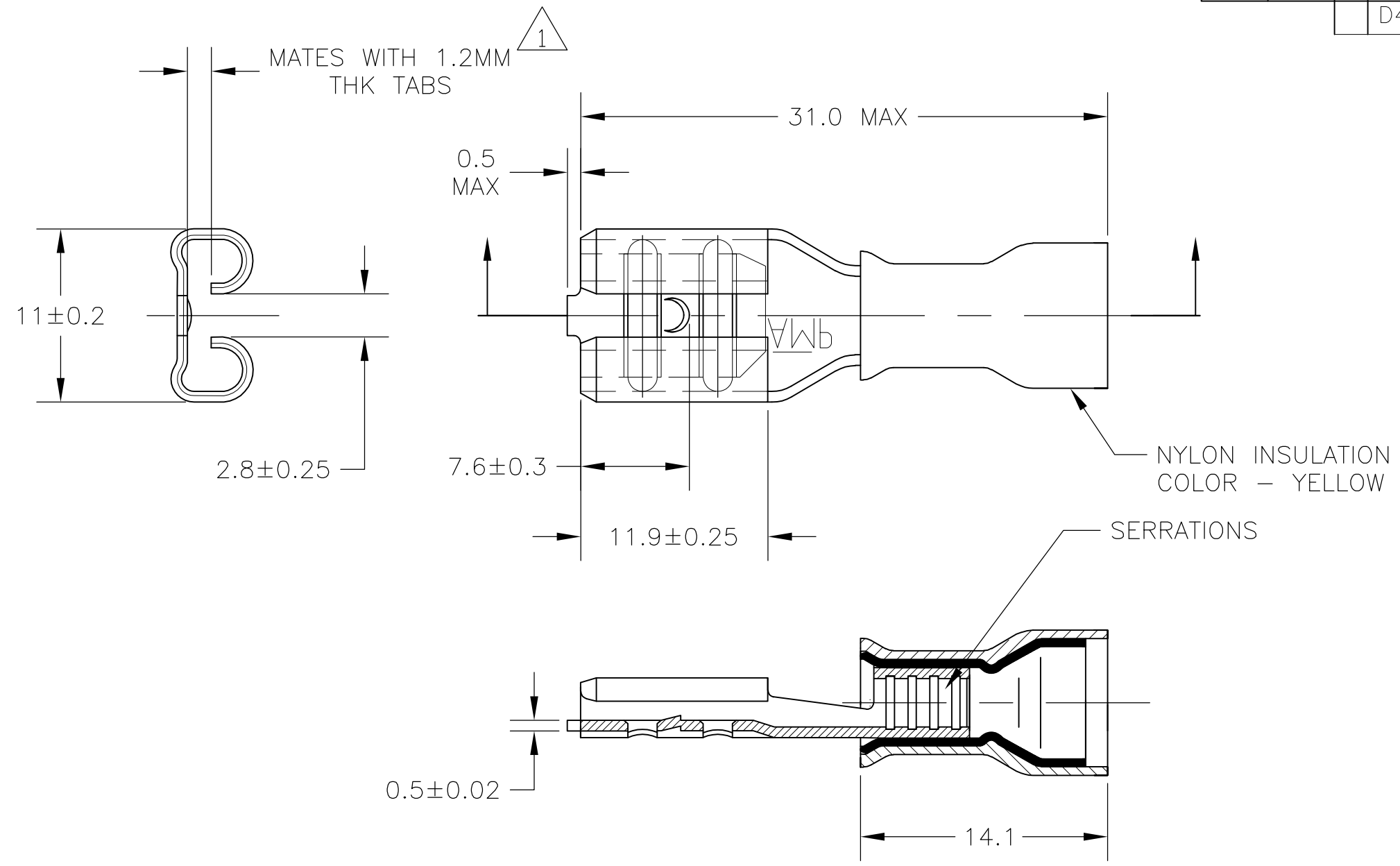


THIS DRAWING IS UNPUBLISHED. RELEASED FOR PUBLICATION
 © COPYRIGHT - BY TYCO ELECTRONICS CORPORATION. ALL RIGHTS RESERVED.

LOC	DIST	REVISIONS					
G	02	P	LTR	DESCRIPTION	DATE	DWN	APVD
			D4	REV PER ECR 07-024765	17OCT07	JR	TM



- 1 GAGE 0.93 MUST NOT ENTER
GAGE 0.73 MUST ENTER
- 2 SUPERSEDED BY 160524-2
- 3 4.0-6.0mm² [7,800-11,900 CMA] STRANDED ONLY
- 4 BODY: BRASS, 0.5 THK
SLEEVE: COPPER TUBING; NYLON
- 5 BODY: TIN PLATED PER ASTM B545
SLEEVE: TIN PLATE PER ASTM B545 TUBING; COLOR-YELLOW
- 6 WIRE INSULATION O.D. RANGE, 3.8-6.4
- 7 PRELIMINARY - NOT FOR PRODUCTION

2500	160524-2 ON TAPE	TIN PLATED	BRASS	7 2-160524-2
500	LOOSE PIECE	TIN PLATED	PHOS BRONZE	2 160524-4
500	LOOSE PIECE	TIN PLATED	BRASS	160524-2
QTY	PACKAGING TYPE	PLATING	MATERIAL	PART NO

THIS DRAWING IS A CONTROLLED DOCUMENT.		DWN jr_ruth 30MAR06	Tyco Electronics Corporation Harrisburg, PA 17105-3608	
DIMENSIONS: MM INCHES		CHK T MICHELUTTI 30MAR06	NAME RECEPTACLE, FASTON, PIDG, 9.5 SERIES	
TOLERANCES UNLESS OTHERWISE SPECIFIED:		APVD T MICHELUTTI 30MAR06	PRODUCT SPEC -	
0 PLC ± -		APPLICATION SPEC -		
1 PLC ± -		SIZE A3		
2 PLC ± 0.4		CAGE CODE 00779		
3 PLC ± 0.4		DRAWING NO C-160524		
4 PLC ± -		RESTRICTED TO -		
ANGLES ± -		SCALE 3:1		
FINISH		SHEET 1 OF 1		
- 4		REV D4		
- 5		CUSTOMER DRAWING		