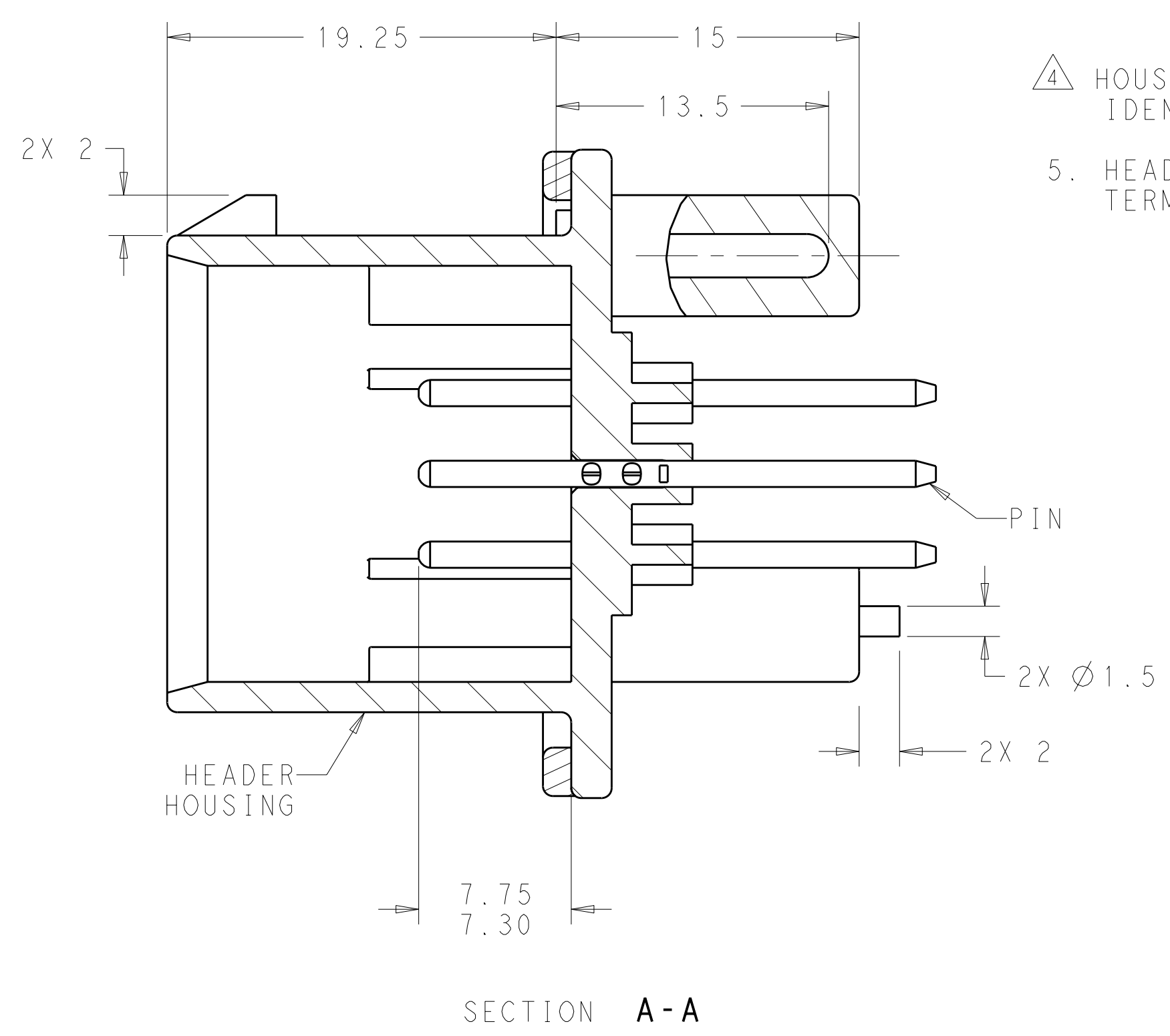
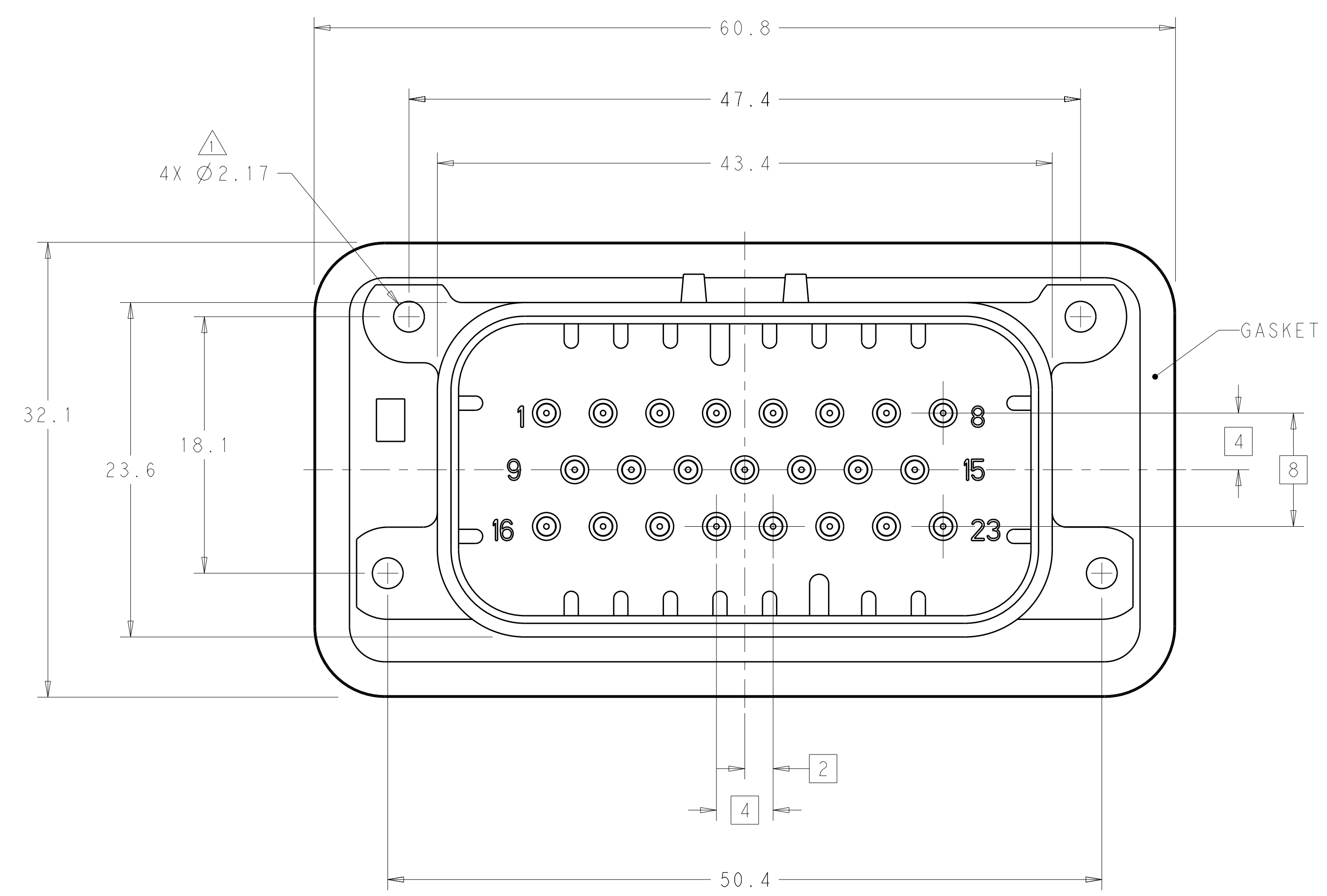
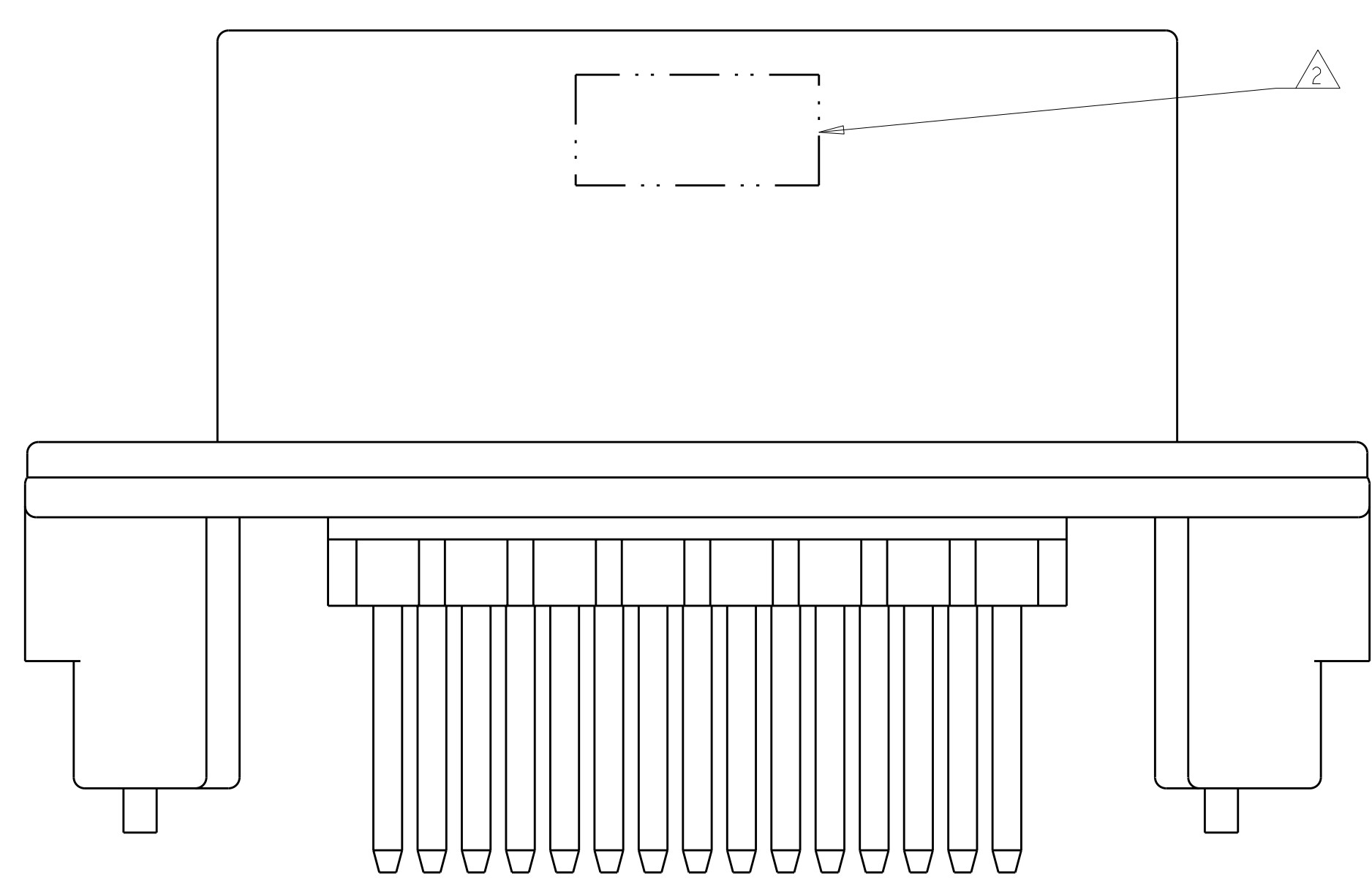


LOC	DIST	REV	DATE	BY	CHK	APPV
BV	00					

REVISIONS		DATE	DWN	APVD
C5	REVISED PER ECO-11-005030	11MAR2011	RK	HMR
C6	REVISED PER ECO-12-009257	29MAY2012	DD	DS



- 1 ACCEPTS #4 SELF TAPPING THREAD FORMING SCREWS OR METRIC EQUIVALENT. DRIVE TO 0.6 N-m MAX
- 2 DATE CODE TO BE BRANDED IN THIS LOCATION PER TE SPEC 102-60. USE 5 DIGIT CODE: FIRST 2 DIGITS = YEAR, SECOND 2 DIGITS = WEEK, LAST DIGIT = DAY
- 3 MATERIALS: HEADER HOUSING - GLASS FILLED PBT
 PINS - TIN OR GOLD PLATED BRASS
 GASKET - SILICONE
- 4 HOUSING COLORS ARE MECHANICALLY KEYPED TO MATE ONLY WITH IDENTICALLY COLORED PLUG ASSEMBLIES.
- 5. HEADER MATES TO PLUG ASSEMBLY 770680 WHICH USES REELED TERMINAL 770520 OR LOOSE PIECE TERMINAL 770854



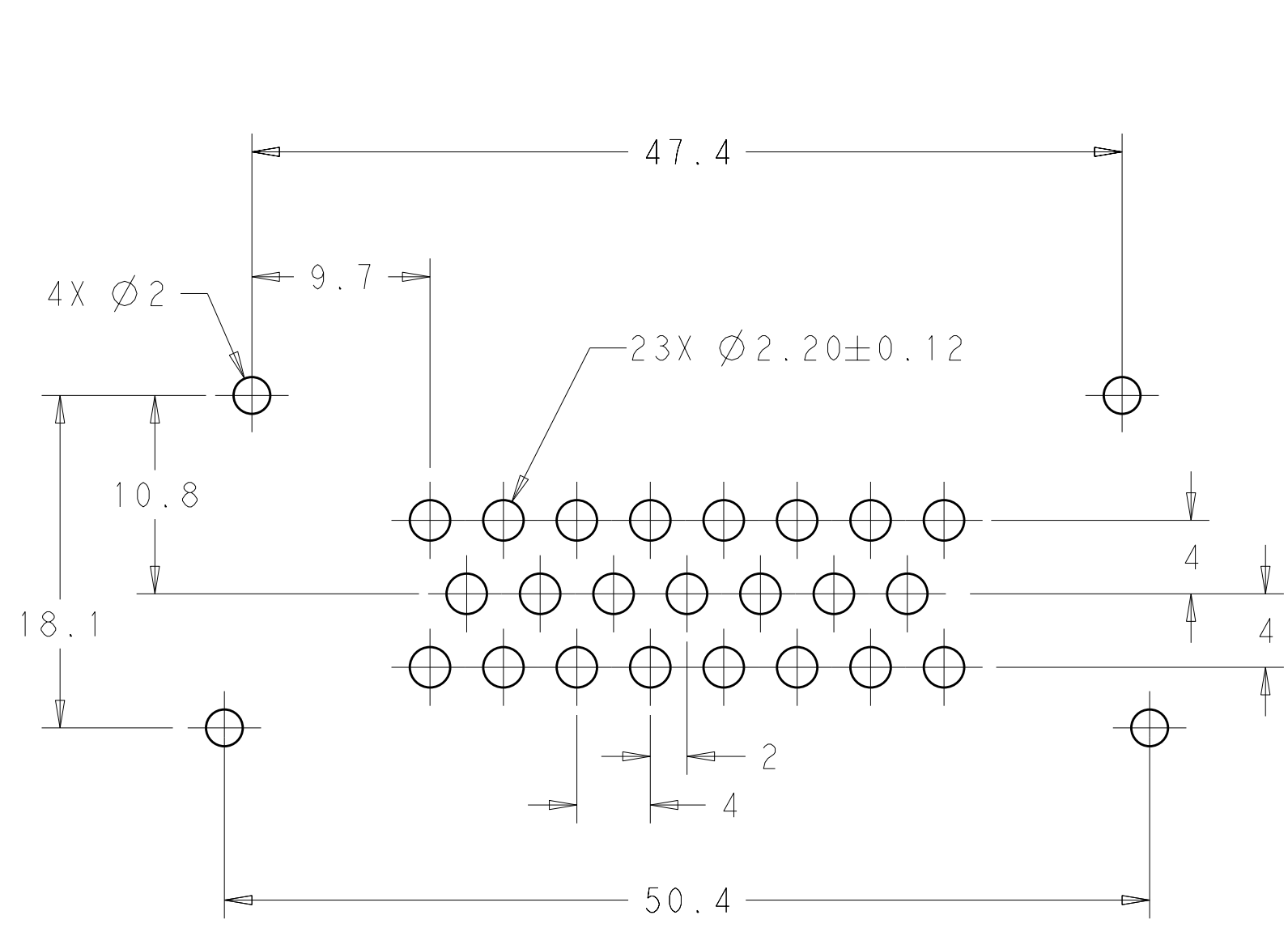
776228-1 & 1-776228-1 SHOWN

BLUE	DURAGOLD	1-776228-5
GRAY	DURAGOLD	1-776228-4
NATURAL	DURAGOLD	1-776228-2
BLACK	DURAGOLD	1-776228-1
BLUE	TIN	776228-5
GRAY	TIN	776228-4
NATURAL	TIN	776228-2
BLACK	TIN	776228-1
HEADER COLOR	PLATING	PART NUMBER

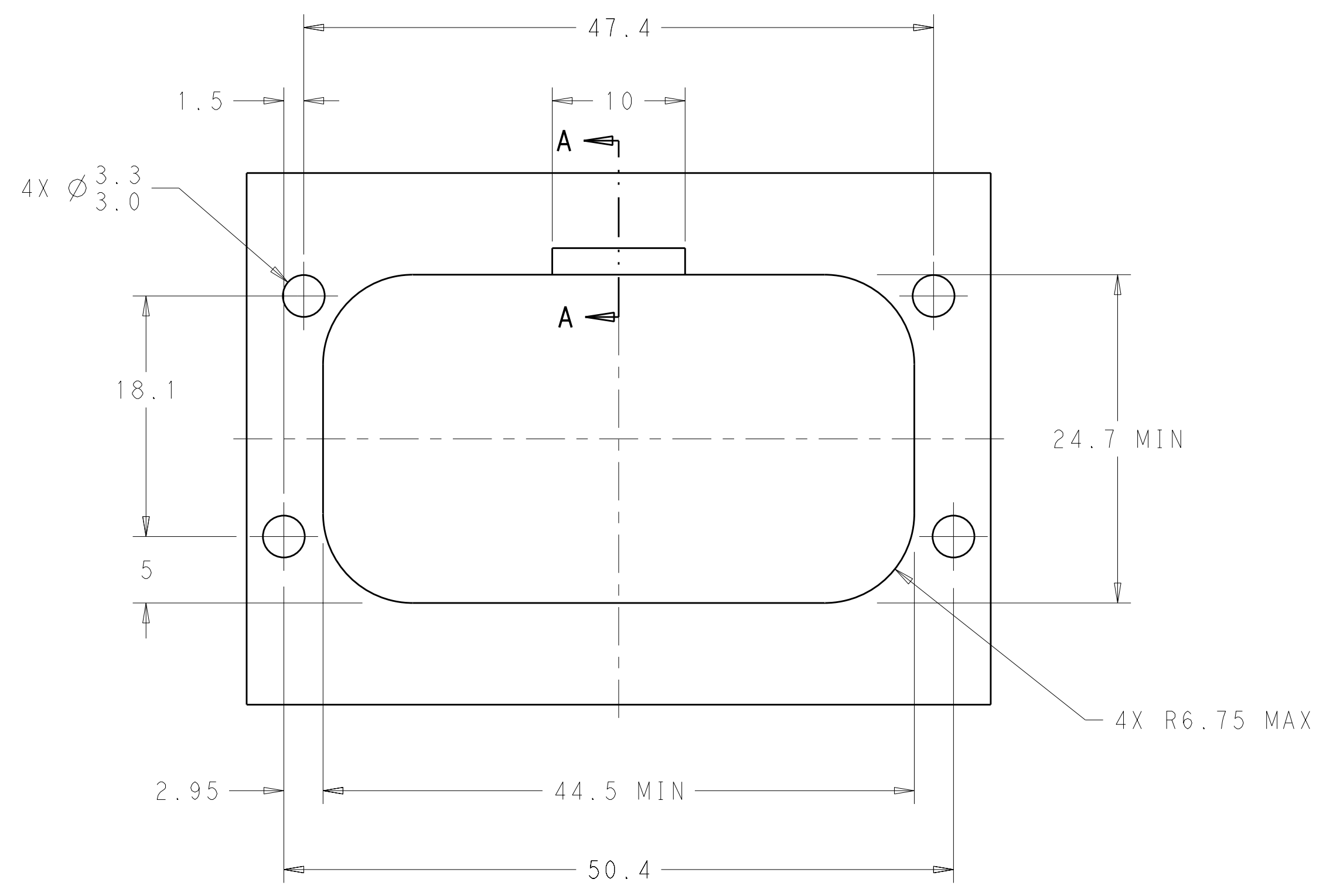
THIS DRAWING IS A CONTROLLED DOCUMENT.		DWN D. STRAUSSER 05MAR2010	NAME ASSEMBLY, HEADER, 23 POSITION, VERTICAL, AMPSEAL WITH FLANGE SEAL	
DIMENSIONS: mm		CHK D. STRAUSSER 22MAR2010	RESTRICTED TO	
TOLERANCES UNLESS OTHERWISE SPECIFIED:		APVD D. STRAUSSER 27APR2010	SCALE 4:1 SHEET 1 OF 2 REV C6	
0 PLC ± 1 PLC ±0.2 2 PLC ±0.13 3 PLC ± 4 PLC ± ANGLES ±4°		PRODUCT SPEC 108-1329	SIZE CAGE CODE DRAWING NO A100779C-776228	
MATERIAL		APPLICATION SPEC 114-16016	WEIGHT	
FINISH		WEIGHT	CUSTOMER DRAWING	

LOC	DIST	REV	DATE	BY	CHKD	APVD
BV	00					

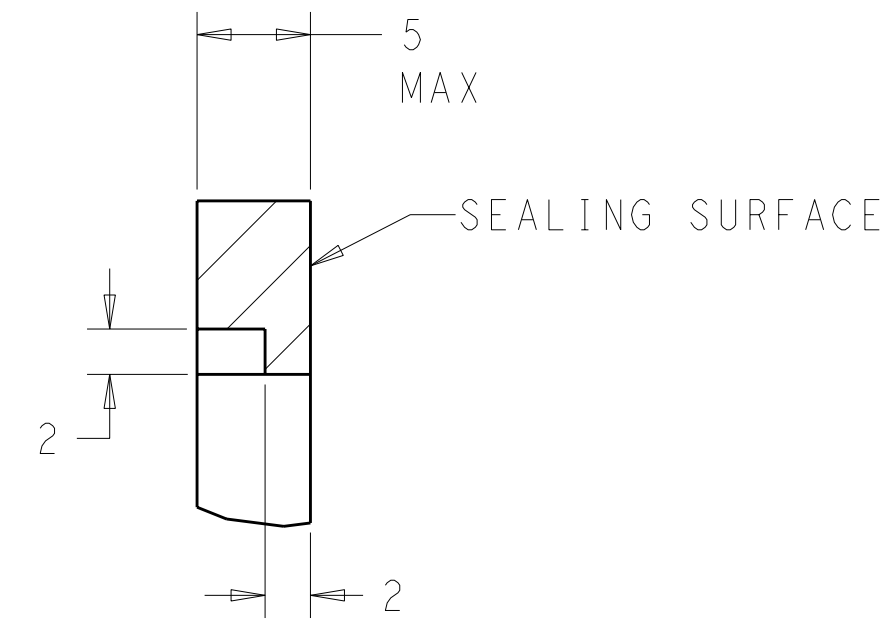
REVISIONS			
NO.	DESCRIPTION	DATE	BY
1	SEE SHEET 1		



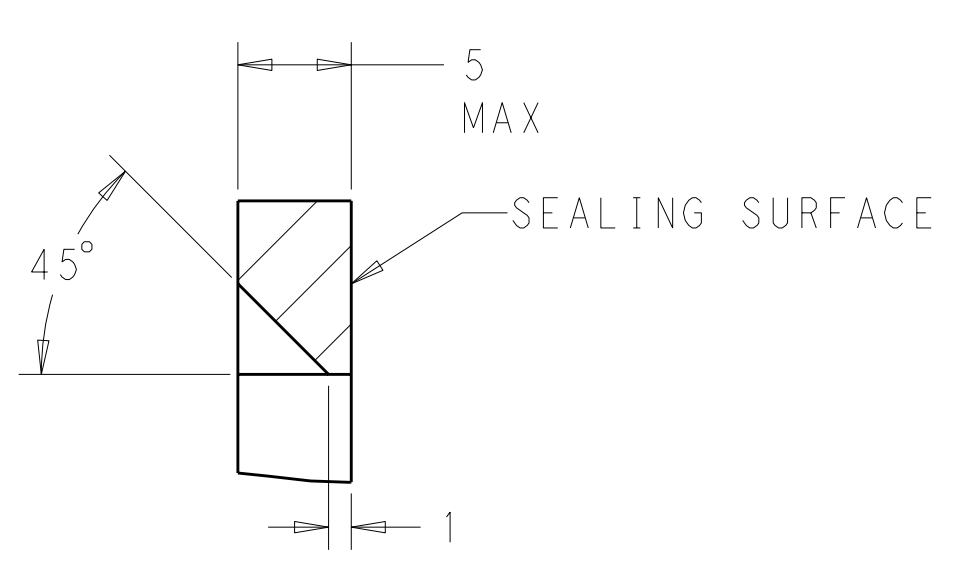
RECOMMENDED P.C. BOARD LAYOUT FOR 1.57 THICK P.C. BOARD



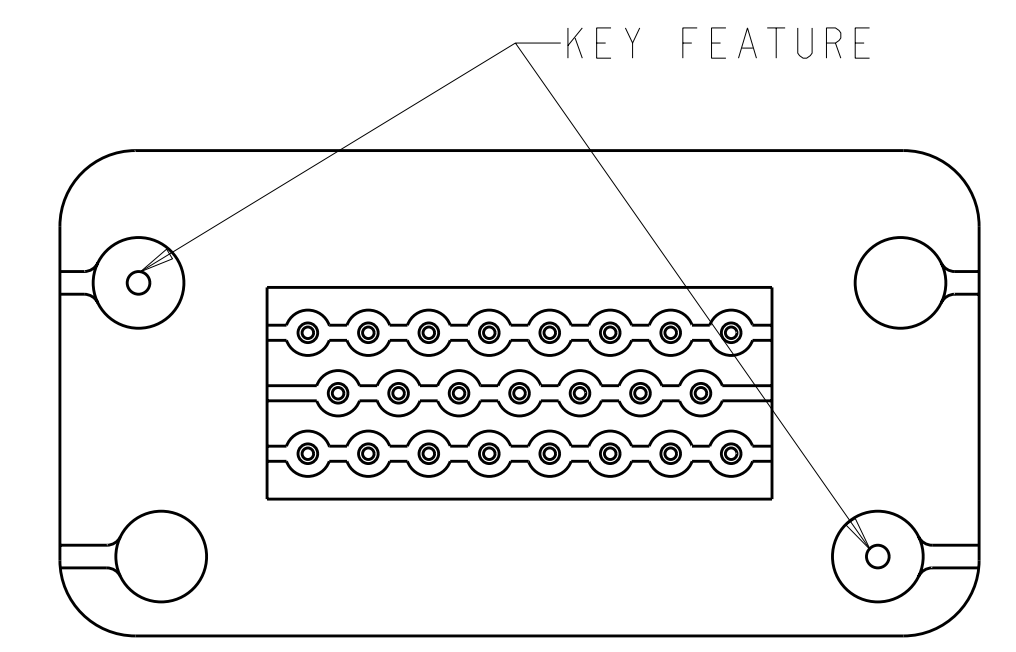
RECOMMENDED MOUNTING HOLE LAYOUT FOR 5.0 MAX THICK PANEL



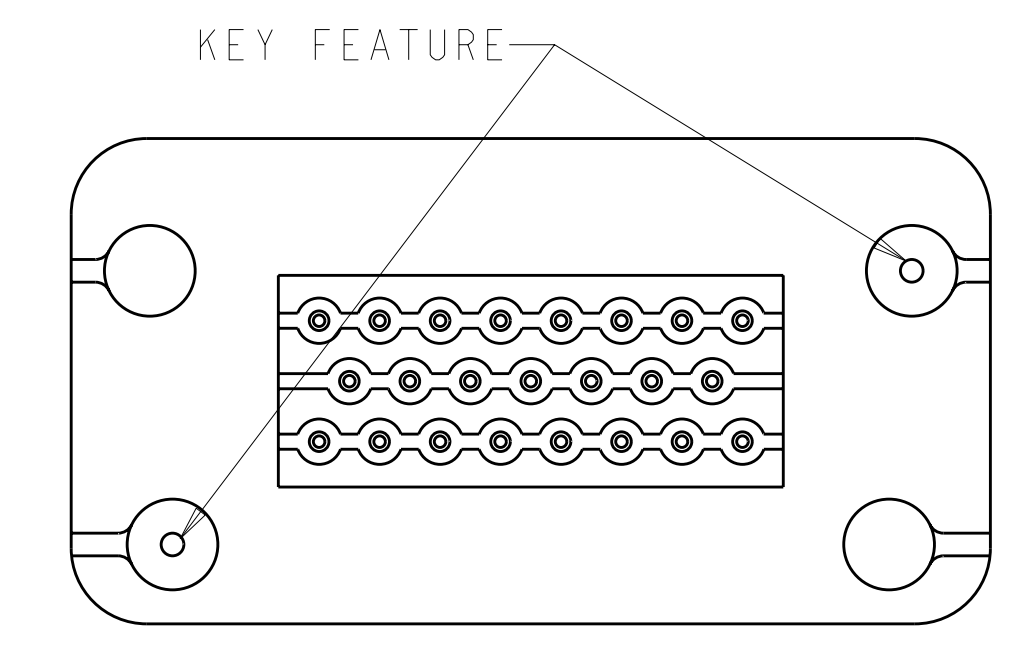
SECTION A-A
 OPTIONAL CONSTRUCTION IF PANEL THICKNESS IS GREATER THAN 2.0



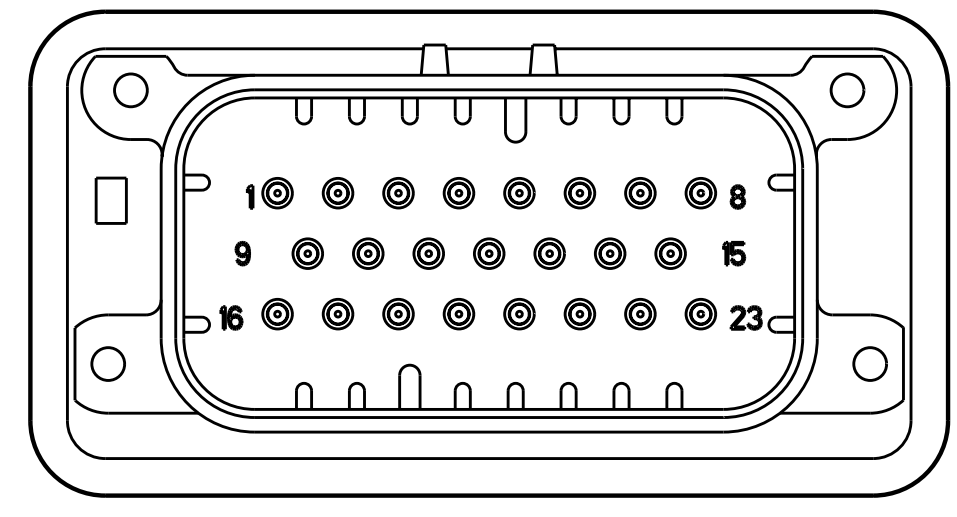
SECTION A-A
 OPTIONAL CONSTRUCTION IF PANEL THICKNESS IS GREATER THAN 2.0



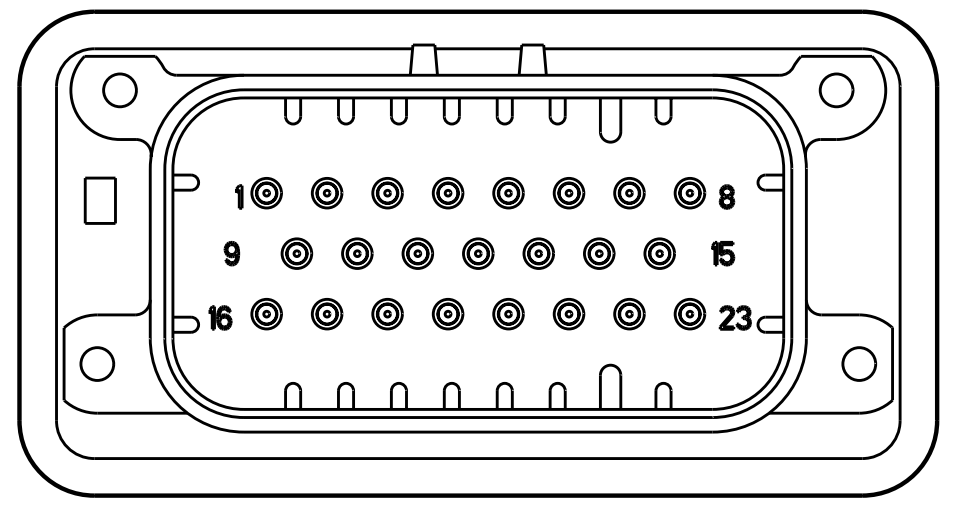
KEYING FOR 776228-1 AND 776228-5
 SCALE 2:1



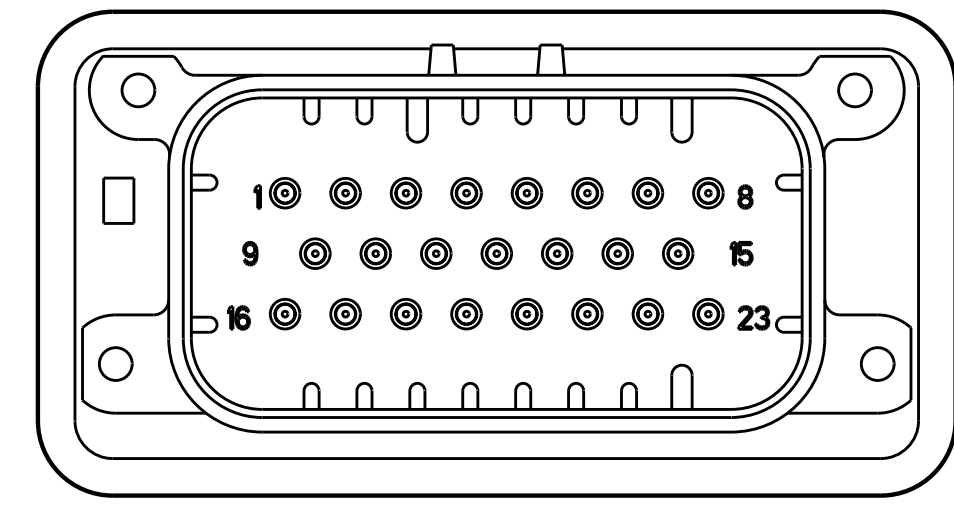
KEYING FOR 776228-2 AND 776228-4
 SCALE 2:1



776228-2 & 1-776228-2
 KEY LOCATION
 SCALE 2:1



776228-4 & 1-776228-4
 KEY LOCATION
 SCALE 2:1



776228-5 & 1-776228-5
 KEY LOCATION
 SCALE 2:1

THIS DRAWING IS A CONTROLLED DOCUMENT.		OWN: D. STRAUSSER 05MAR2010	TE Connectivity
DIMENSIONS: mm		CHK: D. STRAUSSER 22MAR2010	
TOLERANCES UNLESS OTHERWISE SPECIFIED:		APVD: D. STRAUSSER 27APR2010	NAME: ASSEMBLY, HEADER, 23 POSITION, VERTICAL, AMPSEAL WITH FLANGE SEAL
9 PLC ± 1 PLC ±0.2 2 PLC ±0.13 3 PLC ± 4 PLC ± ANGLES ±4°		PRODUCT SPEC: 108-1329	SIZE: CAGE CODE: DRAWING NO: A100779
MATERIAL: -		APPLICATION SPEC: 114-16016	RESTRICTED TO: -
FINISH: -		WEIGHT: -	SCALE: 2:1 SHEET 2 OF 2 REV: C6
CUSTOMER DRAWING			