

Flat countersinker sets DIN 373 HSS / HSS-TiN with straight shank and fixed pilot in steel case

Description	Article no.	Price / set €
Flat countersinkers HSS for through holes, fine grade, for threads: M 3 - M 4 - M 5 - M 6 - M 8 - M 10	102 450	
Flat countersinkers HSS for through holes, medium grade, for threads: M 3 - M 4 - M 5 - M 6 - M 8 - M 10	102 451	
Flat countersinkers HSS for core holes, for threads: M 3 - M 4 - M 5 - M 6 - M 8 - M 10	102 452	
Flat countersinkers HSS-TiN for through holes, fine grade, for threads: M 3 - M 4 - M 5 - M 6 - M 8 - M 10	102 450 T	
Flat countersinkers HSS-TiN for through holes, medium grade, for threads: M 3 - M 4 - M 5 - M 6 - M 8 - M 10	102 451 T	
Flat countersinkers HSS-TiN for core holes, for threads: M 3 - M 4 - M 5 - M 6 - M 8 - M 10	102 452 T	



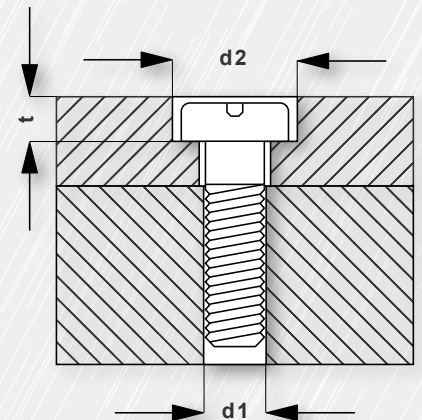
No. 102 450



No. 102 450 T

Countersinkings as per DIN 74, Sheet 2

Countersinkings, type H for cylinder-head screws as per DIN 84 and DIN 7984
 Countersinkings, type H for thread-cutting screws as per DIN 7513, Type B
 Countersinkings, type H for thread-furrowing screws as per DIN 7500, Type B
 Countersinkings, type J for cylinder-head screws as per DIN 6912
 Countersinkings, type K for cylinder-head screws as per DIN 912



For thread	d2 medium H 13 mm	d2 fine H 12 mm	d2 core hole mm	d1 H 13 mm	t type H mm	t type J mm	t type K mm	Tolerance for t mm
M 3	3,4	3,2	2,5	6,0	2,4	—	3,4	0 +0,1
M 4	4,5	4,3	3,3	8,0	3,2	3,4	4,6	0 +0,4
M 5	5,5	5,3	4,2	10,0	4,0	4,2	5,7	0 +0,4
M 6	6,6	6,4	5,0	11,0	4,7	4,8	6,8	0 +0,4
M 8	9,0	8,4	6,8	15,0	6,0	6,0	6,0	0 +0,4
M 10	11,0	10,5	8,5	18,0	7,0	7,5	11,0	0 +0,4
M 12	13,5	13,0	10,2	20,0	8,0	8,5	13,0	0 +0,4
M 14	15,5	15,0	12,0	24,0	9,0	9,5	15,0	0 +0,4
M 16	17,5	17,0	14,0	26,0	10,5	11,5	17,5	0 +0,4
M 18	20,0	19,0	15,5	30,0	11,5	12,5	19,5	0 +0,4
M 20	22,0	21,0	17,5	33,0	12,5	13,5	21,5	0 +0,4
M 22	24,0	23,0	19,5	36,0	13,5	14,5	23,5	0 +0,4