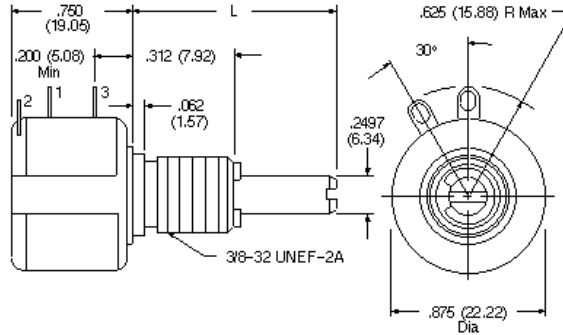


Potentiometer - 3 Watt, 7/8" round case, 1/4" dia. shaft, 10 turn, precision wire wound



Features

- Permanickel contact
- Stainless steel 1/4" diameter shaft
- Gold plated terminals
- Internal tracking surfaces gold plated
- Precision winding with excellent linearity

Specifications

Electrical

Resistance Range: 100 Ohms to 100K Ohms

Resistance Tolerance: ±5%

Linearity Tolerance: ±0.25% independent

Noise: 100 Ohms ENR

Rotation: 3600°, +10°, -0°

Power Rating: 2W @ +70°C derated to 0W @ +125°C

Insulation Resistance: 1000 Meg Ohm min, 500VDC

Dielectric Strength: 1000V RMS min 50Hz

Absolute Minimum Resistance: Not to exceed linearity x total resistance or 1 Ohm, whichever is greater

Temperature Coefficient of Resistance: 20ppm/°C (wire only)

End Voltage: 0.25% of total applied voltage, max

Mechanical

Bearing Type Bushing: Sleeve bearing

Resistance Element: See Table

Rotation: 3600°, +10°, -0°

Starting Torque (maximum): 36 gm-cms (0.5 oz in)

Stop Strength (static): 5.4 Kgm-cm (75 oz in)

Rotation Life: 1,000,000 shaft revolutions



Environmental

Operating Temperature: -55° to +125°C

Load Life: 900 hr.

NTE Part No.	Value Ohms	Shaft Length	Diag. No.
502-0100	100	7/8"	P12
502-0101	200	7/8"	P12
502-0102	500	7/8"	P12
502-0103	1K	7/8"	P12
502-0104	2K	7/8"	P12
502-0105	5K	7/8"	P12
502-0106	10K	7/8"	P12
502-0107	20K	7/8"	P12
502-0108	50K	7/8"	P12
502-0109	100K	7/8"	P12

Resistance Element Data				
Resistance Value (Ohms)	Resolution (%)	Ohms per Turn	Max Current @ 70°C Ambient (mA)	Max Voltage Across Coil (Volts)
100	.060	.0603	141.00	14.1
200	.037	.0746	100.00	20.0
500	.031	.1520	63.20	31.6
1K	.025	.2459	44.70	44.7
2K	.021	.4113	31.60	63.2
5K	.016	.8206	20.00	100.0
10K	.017	1.7230	14.10	141.0
20K	.015	3.0160	10.00	200.0
50K	.009	4.6690	6.23	316.0
100K	.007	7.4560	4.47	447.0